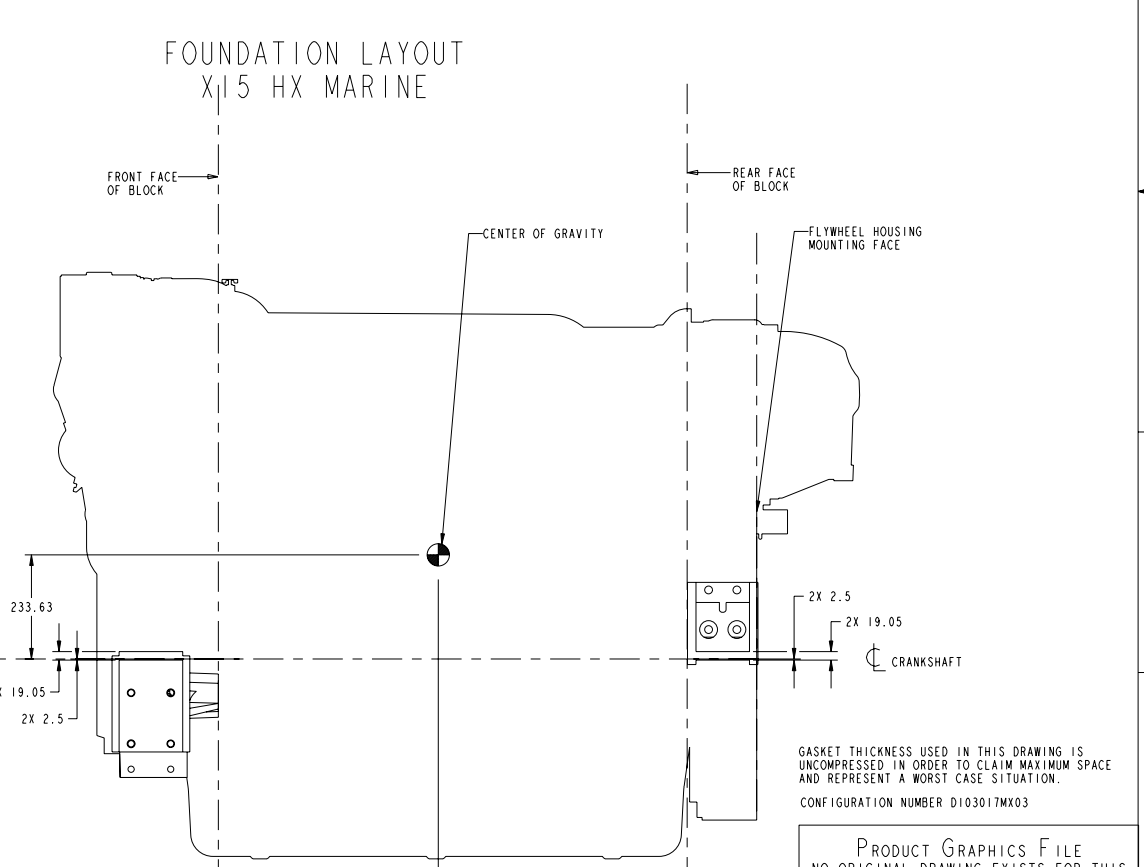
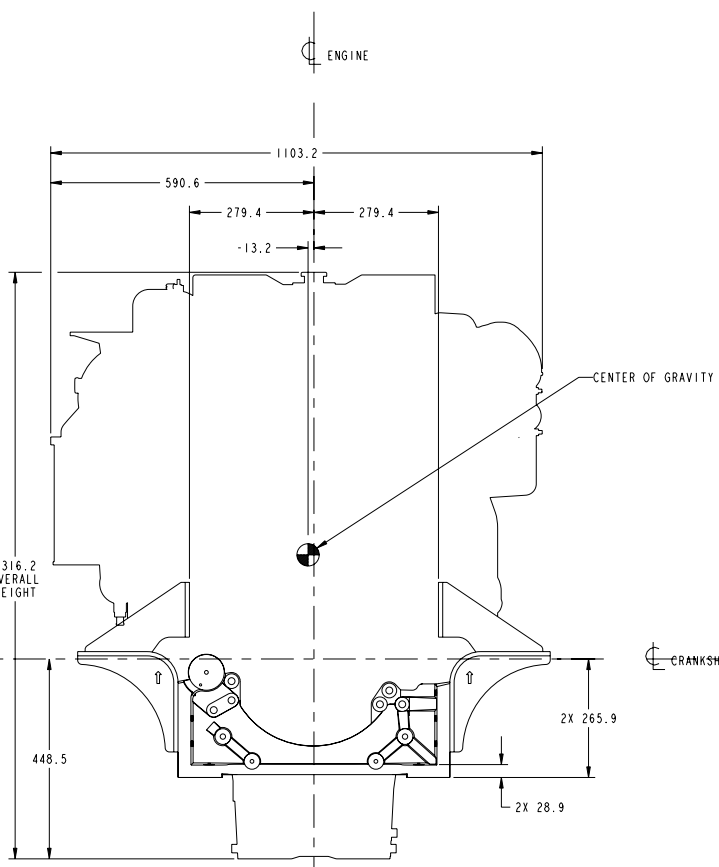
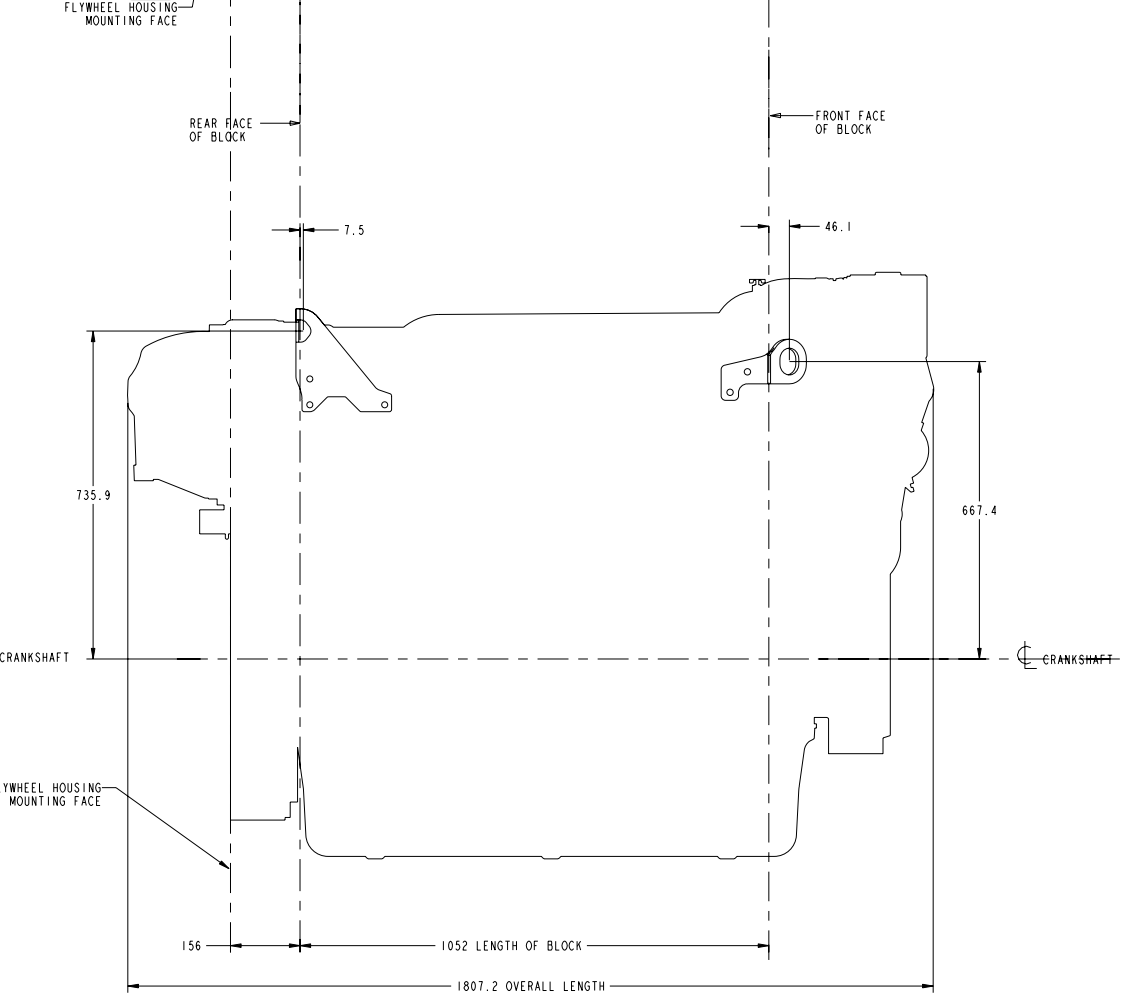
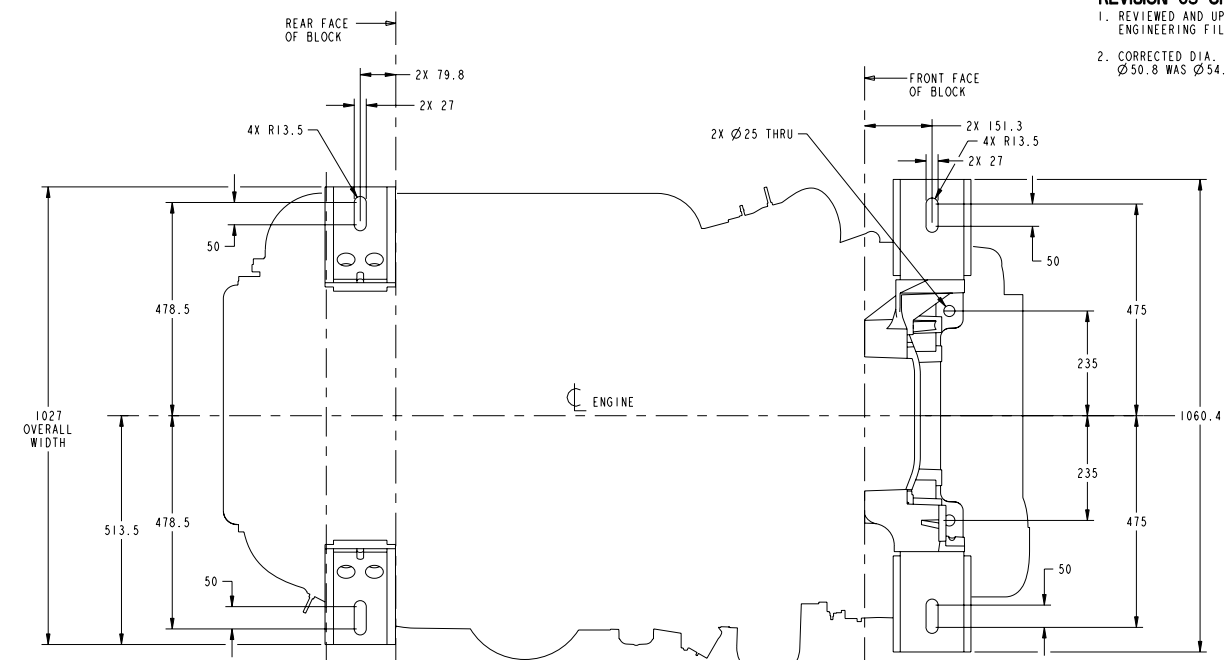
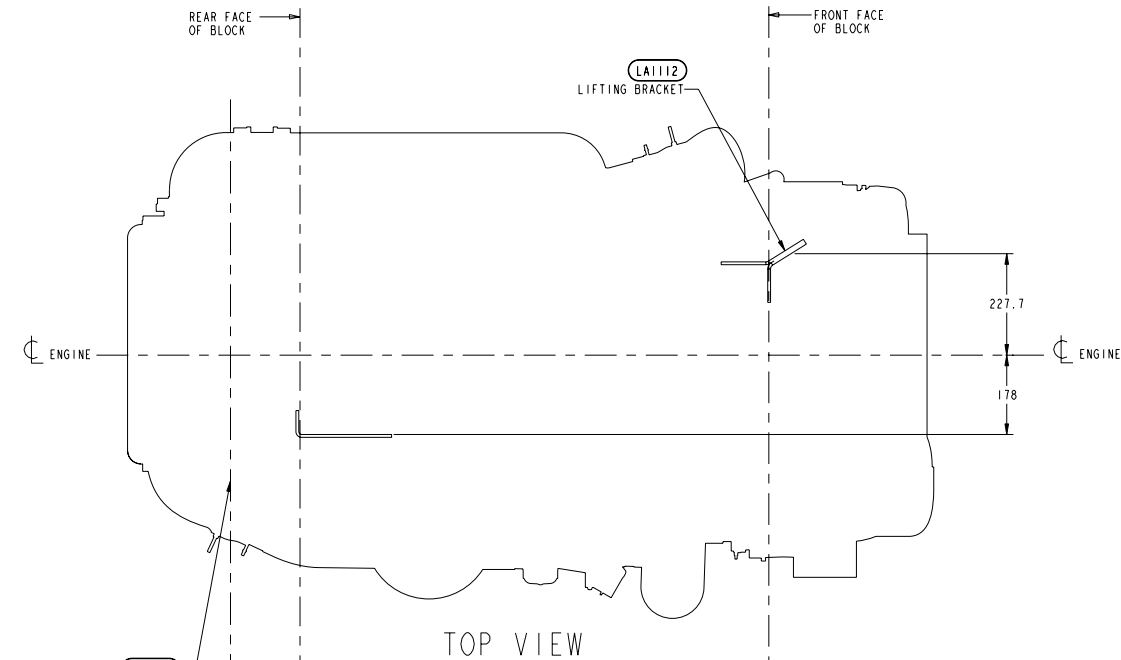


ITEM NUMBER
4953876

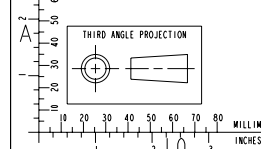
REVISIONS			
ZONE	REV	DESCRIPTION	APP'D
05	4953876-REV05	REVISION 05 CHANGES MADE TO INSTALLATION	

REVISION 05 CHANGES MADE TO INSTALLATION
 1. REVIEWED AND UPDATED ALL OPTIONS PER AVAILABLE ENGINEERING FILES AND IMS STRUCTURE BREAKDOWN.
 2. CORRECTED DIA. CALLOUT FOR SEAWATER DISCHARGE TO $\phi 50.8$ WAS $\phi 54$.



GASKET THICKNESS USED IN THIS DRAWING IS UNCOMPRESSED IN ORDER TO CLAIM MAXIMUM SPACE AND REPRESENT A WORST CASE SITUATION.
 CONFIGURATION NUMBER D103017MX03

PRODUCT GRAPHICS FILE
 NO ORIGINAL GRAPHICS EXISTS FOR THIS ITEM. THE ENGINEERING GRAPHICS DATA FOR THIS ITEM RESIDES IN THE PRODUCT GRAPHICS FILE AND IS CONTROLLED BY THE AGENCY DESIGNATED AS HAVING ITEM CONTROL.

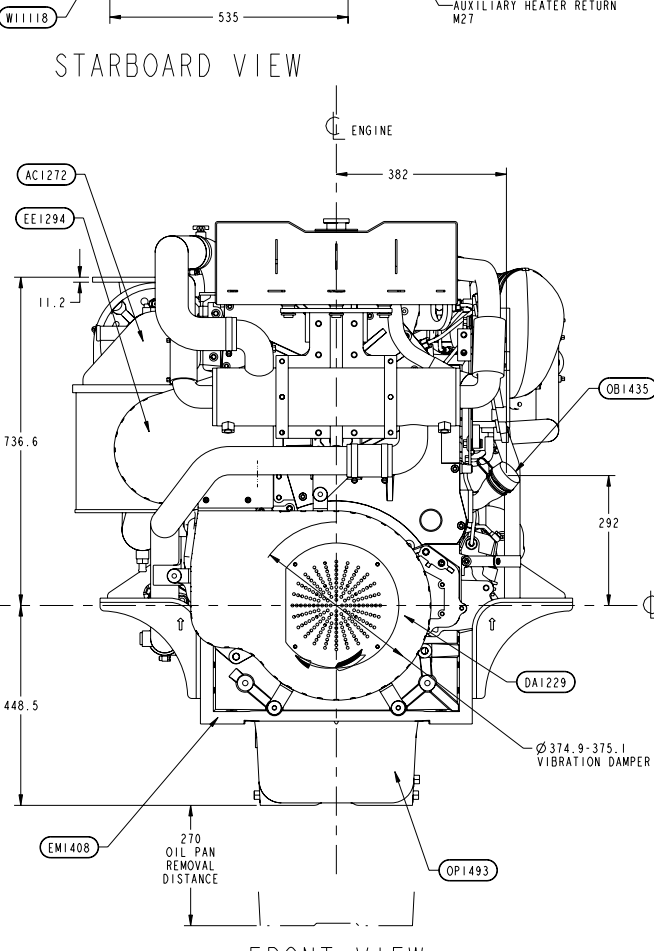
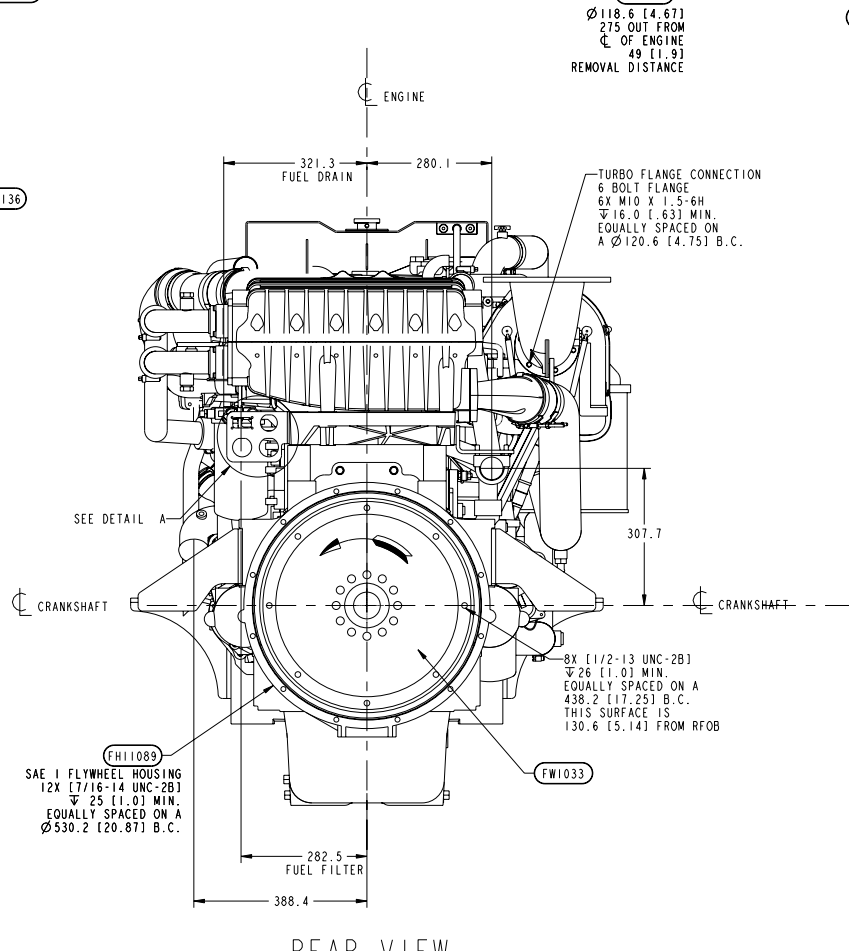
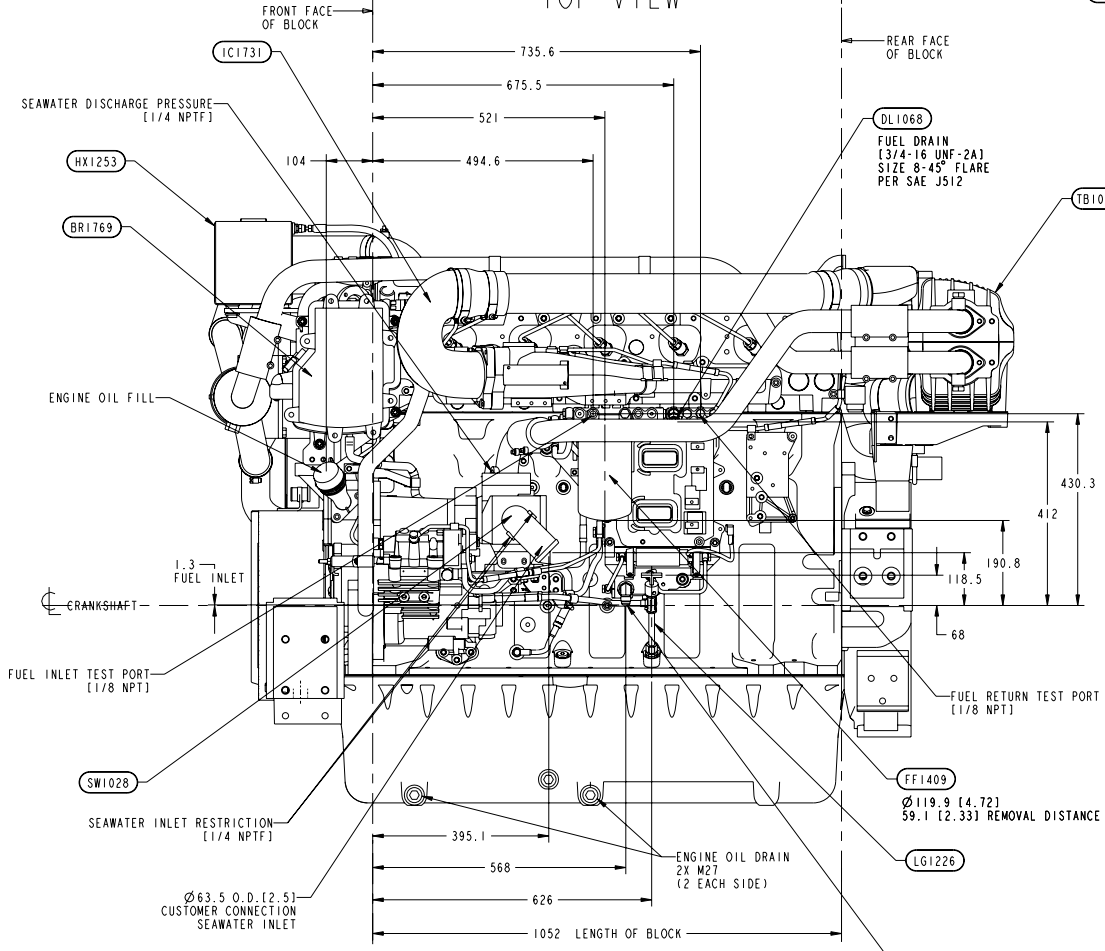
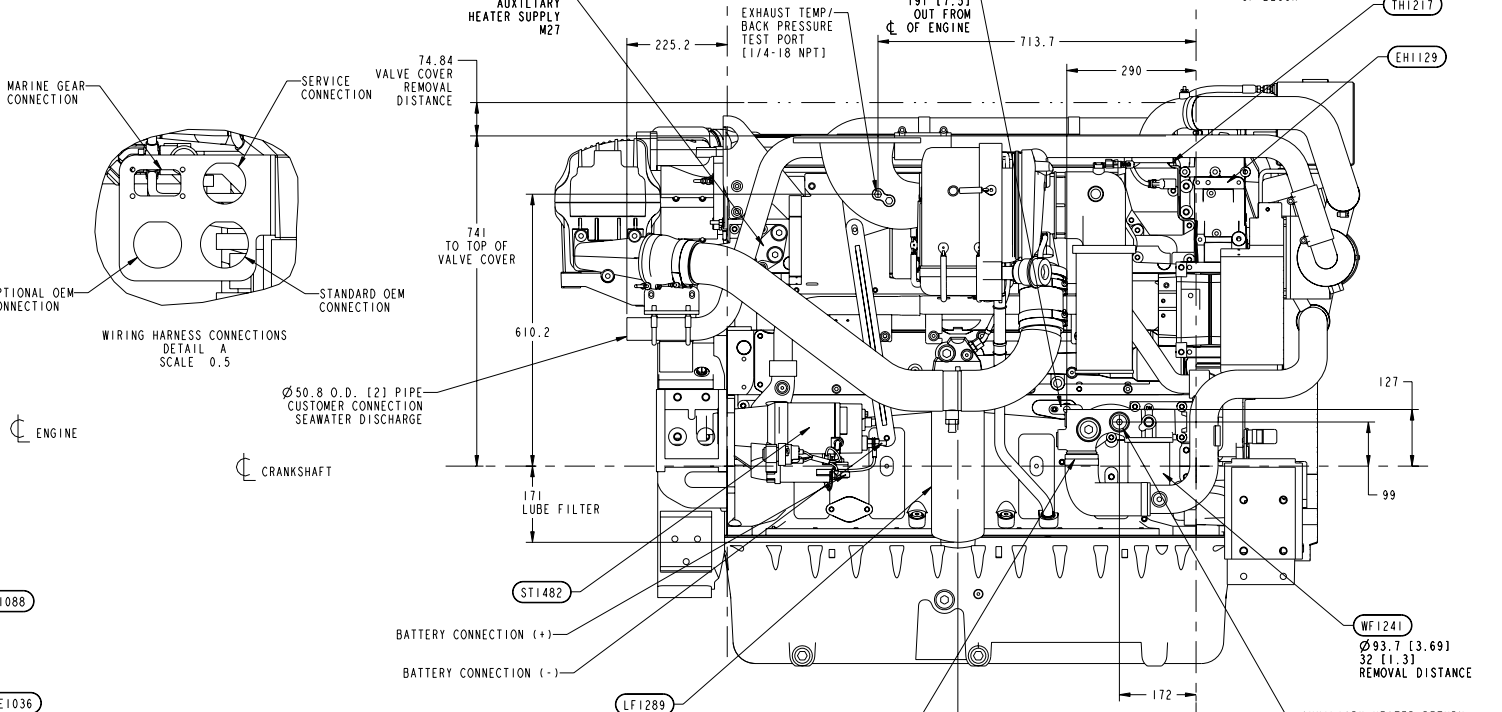
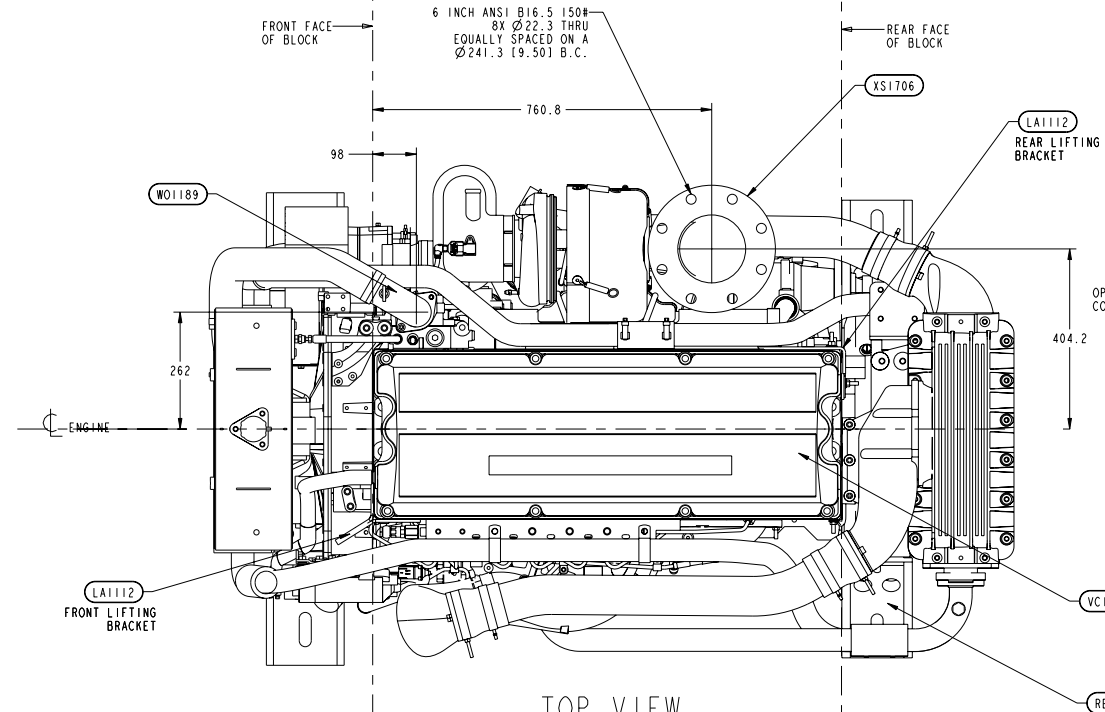


DO NOT SCALE THIS DRAWING
 THIS DRAWING/DATA FILE (AND THE INFORMATION SHOWN THEREON) IS CONFIDENTIAL AND PROPRIETARY AND SHALL NOT BE USED, DISCLOSED TO OTHERS, OR REPRODUCED BY ANY MEANS FOR ANY PURPOSE IN HARD COPY FORM OR IN MACHINE READABLE FILES, WITHOUT WRITTEN CONSENT OF CUMMINS INC., MARKETING CAD SERVICES DEPARTMENT.

LAST SECTION LETTER USED: A	REF. DRAWING STANDARDS: ANSI Y14.5M ISO 81101	CUMMINS INC.	
UNLESS OTHERWISE SPECIFIED DIMENSIONS ARE IN: MM 1:1 ARE IN: IN		ITEM NAME X15 HX MARINE	IDENTIFIER
DWN: MCS-JPH	CHKD: MCS-JPH	APPD: CUS31	SCALE: 1:1 & NOTED
APPD: CUS31	ITEM CONTROL: MCS	ITEM NUMBER 4953876	SHEET 1 OF 2

ITEM NUMBER
4953876

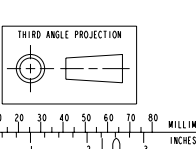
REVISIONS		OWN	APP'D
ZONE	REV	DESCRIPTION	DATE
05	05	4953876.REV05	



ITEM NO.	ITEM NAME	IDENTIFIER	PRELIM*
AC1272	CLEANER, AIR	MAJOR	
BB1960	BLOCK, CYLINDER	DEPENDENT	
BB1961	PLUMBING, CYLINDER BLOCK	DEPENDENT	
BR1769	BREATHER, CRANKCASE	MAJOR	
CH1021	AID, COO HEATER STARTING	MAJOR	
DL1229	DAMPER, VIBRATION	MAJOR	
DL1068	LOCATION, DRAIN	MAJOR	
EE1294	ALTERNATOR	MAJOR	
EHI129	MOUNTING, ALTERNATOR	MAJOR	
EHI756	DRIVE, ALTERNATOR	DEPENDENT	
EM1408	SUPPORT, FRONT ENGINE	MAJOR	
FD1742	PLUMBING, FUEL DRAIN	DEPENDENT	
FF1409	FILTER, FUEL	MAJOR	
FH1089	HOUSING, FLYWHEEL	MAJOR	
FP10281	PUMP, FUEL	DEPENDENT	
FS1775	PRIMER, FUEL SYSTEM	DEPENDENT	
FW1033	FLYWHEEL	MAJOR	
GG1756	COVER, FRONT GEAR	DEPENDENT	
HC1012	PLUMBING, CABIN HEATER	MAJOR	
HX1253	EXCHANGER, HEAT	MAJOR	
IC1731	CONNECTION, AIR INTAKE	MAJOR	
IM1847	MANIFOLD, AIR INTAKE	DEPENDENT	
LA1112	ARRANGEMENT, LIFTING	MAJOR	
LA1719	MOUNTING, LIFTING BRACKET	DEPENDENT	
LC1793	COOLER, ENGINE OIL	DEPENDENT	
LF1289	FILTER, FULL FLOW OIL	MAJOR	
LG1226	GAUGE, OIL LEVEL	MAJOR	
OB1435	ARRANGEMENT, OIL FILL	MAJOR	
OP1493	PAN, OIL	MAJOR	
PH1899	PLUMBING, ENG CNT MODULE	DEPENDENT	
PH1905	MODULE, ENGINE CONTROL	DEPENDENT	
PP10532	TURBOCHARGER	DEPENDENT	
PP44495	PARTS, PERFORMANCE	DEPENDENT	
RE1036	SUPPORT, REAR ENGINE	MAJOR	
SG1058	PACKAGE, GUARD	DEPENDENT	
SH1028	SHIELD, HEAT	DEPENDENT	
SM1742	MOUNTING, STARTING MOTOR	DEPENDENT	
ST1482	MOTOR, STARTING	MAJOR	
SW1028	PUMP, RAW WATER	MAJOR	
TB1616	ARRANGEMENT, TURBOCHARGER	MAJOR	
TB10136	AFTERCOOLER	DEPENDENT	
TH1217	ARRANGEMENT, THM HOUSING	MAJOR	
TH1726	HOUSING, THERMOSTAT	DEPENDENT	
TP1879	PLUMBING, TURBOCHARGER	DEPENDENT	
VC1088	ARRANGEMENT, VALVE COVER	MAJOR	
WF1241	RESISTOR, CORROSION	MAJOR	
WI1118	CONNECTION, WATER INLET	MAJOR	
WO1189	CONNECTION, WATER OUTLET	MAJOR	
WP1797	PUMP, WATER	DEPENDENT	
WR1786	ACCESSORIES, WIRING	DEPENDENT	
XS1706	CONNECTION, EXHAUST OUTLET	MAJOR	

* X - THESE OPTION(S) ARE PRELIMINARY AND SUBJECT TO DESIGN CHANGE

INCHES
MILLIMETERS



DO NOT SCALE THIS DRAWING
THIS DRAWING/DATA FILE (AND THE INFORMATION SHOWN THEREON) IS CONFIDENTIAL AND PROPRIETARY AND SHALL NOT BE USED, DISCLOSED TO OTHERS, OR REPRODUCED BY ANY MEANS FOR ANY PURPOSE WITHOUT WRITTEN CONSENT OF CUMMINS INC., MARKETING CAD SERVICES DEPARTMENT.

LAST SECTION LETTER USED: A	REF. DRAWING STANDARDS: ANSI Y14.5M ISO 81101	ITEM NAME X15 HX MARINE
UNLESS OTHERWISE SPECIFIED DIMENSIONS ARE IN: MM 1.7 ARE IN: IN	IDENTIFIER J	ITEM NUMBER 4953876
DWN: MCS-JPH CHK: UNCHECKED APPD: CUS31	SCALE: 1:15 & NOTED	ITEM CONTROL: MCS SHEET 2 OF 2

GASKET THICKNESS USED IN THIS DRAWING IS UNCOMPRESSED IN ORDER TO CLAIM MAXIMUM SPACE AND REPRESENT A WORST CASE SITUATION.
CONFIGURATION NUMBER D103017MX03

PRODUCT GRAPHICS FILE
NO ORIGINAL DRAWING EXISTS FOR THIS ITEM. THE ENGINEERING GRAPHICS DATA FOR THIS ITEM RESIDES IN THE PRODUCT GRAPHICS FILE AND IS CONTROLLED BY THE AGENCY DESIGNATED AS HAVING ITEM CONTROL.