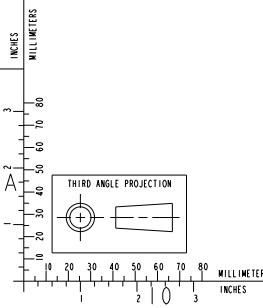
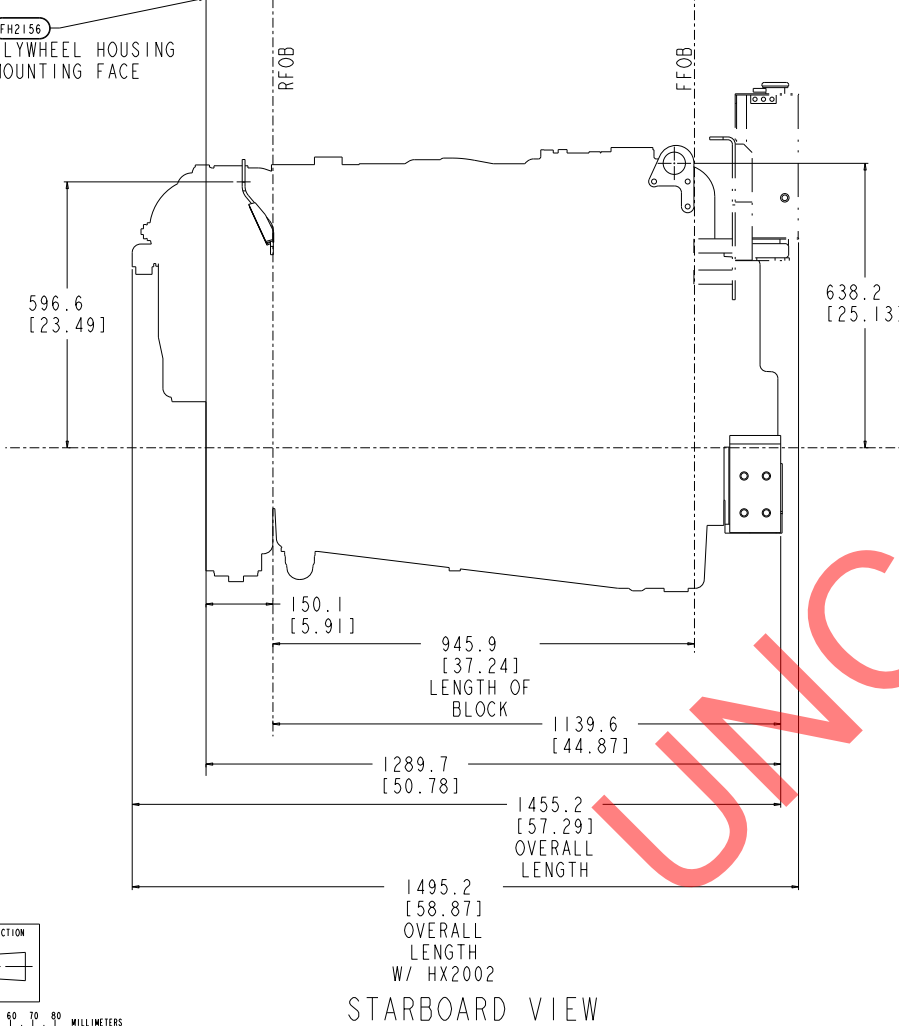
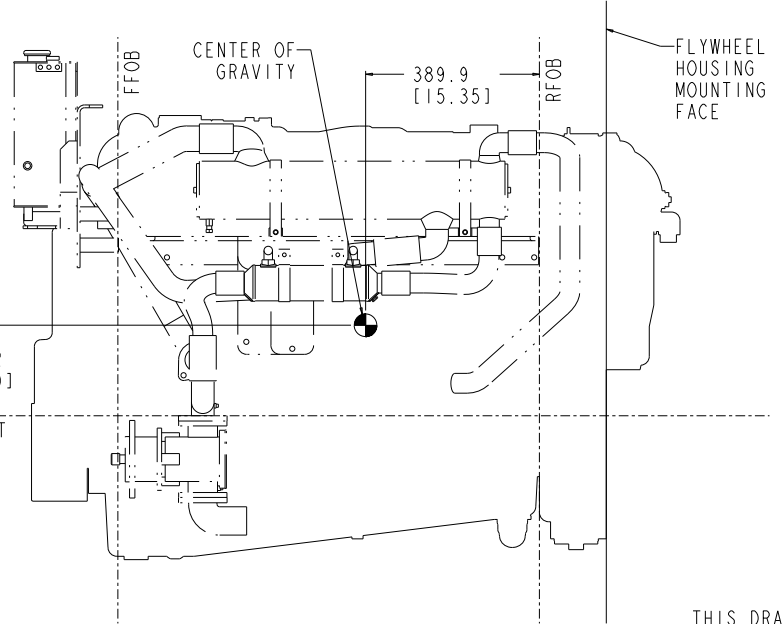
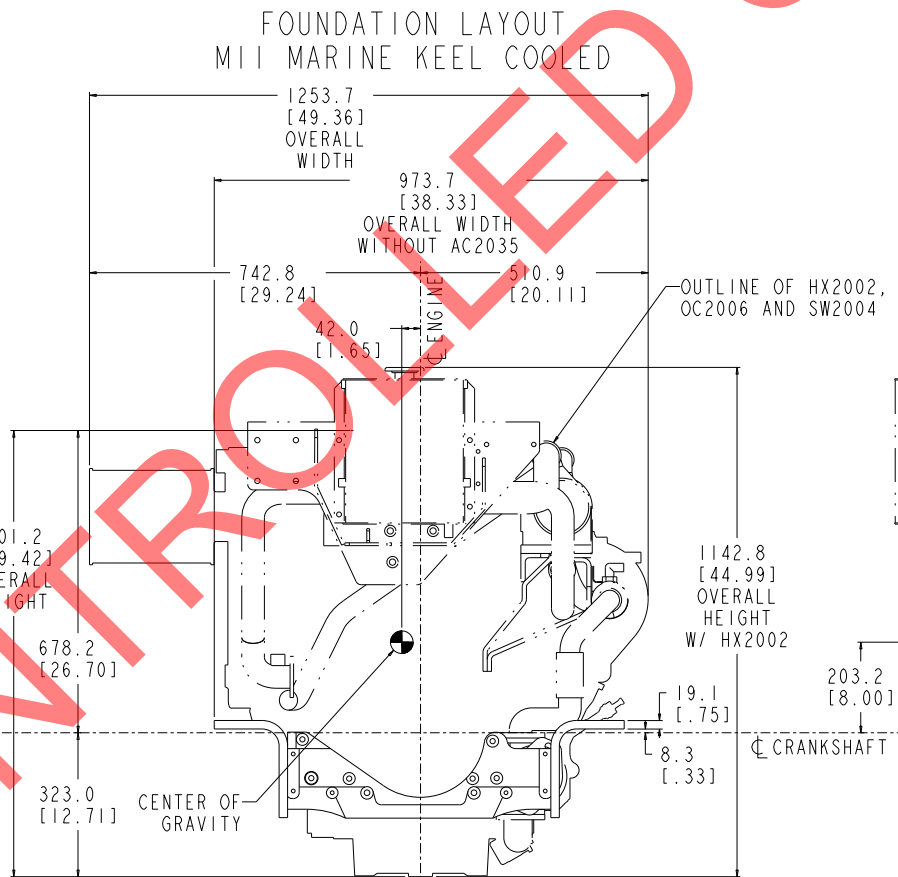
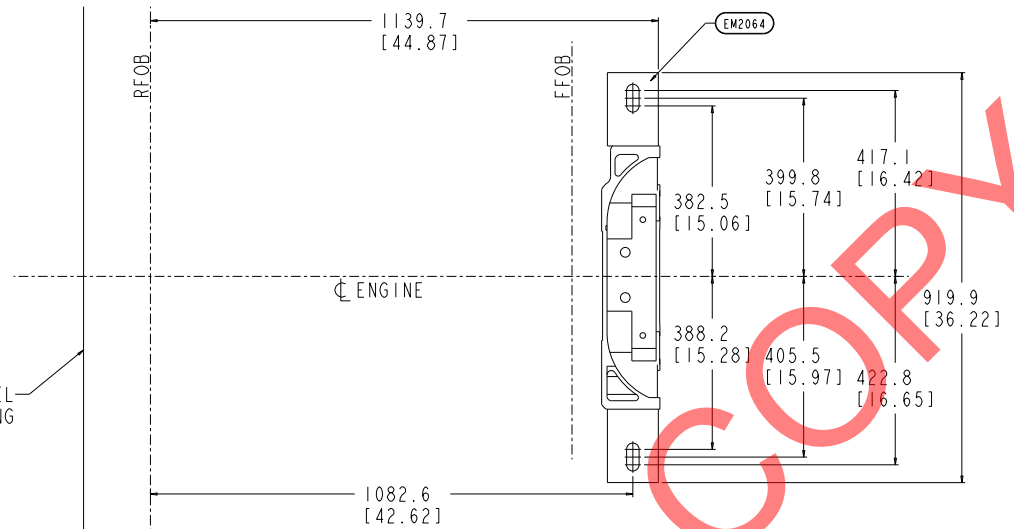
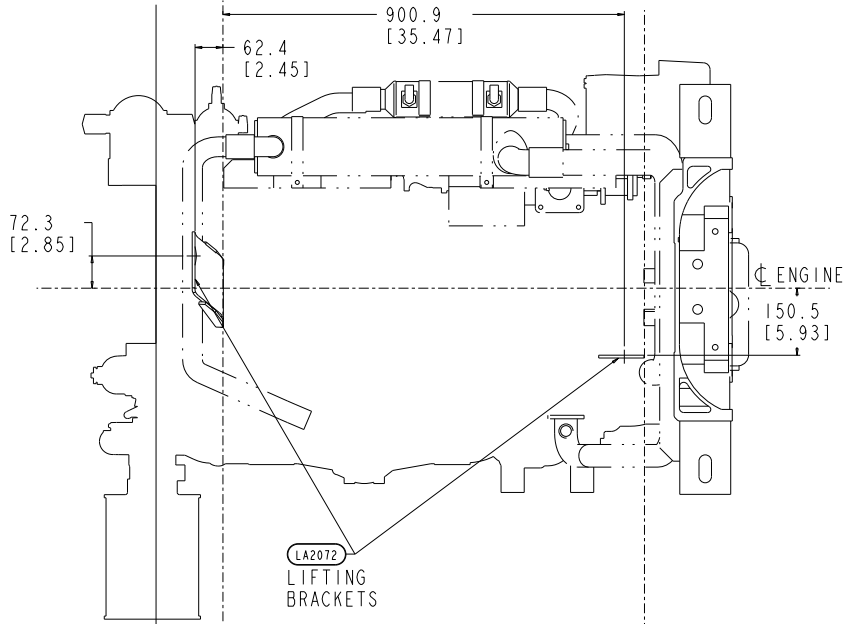


ITEM NUMBER
3170646

REVISIONS			
ZONE	REV	DESCRIPTION	APP'D
04		QSM11 SUBSYSTEM	

TABLE OF CONTENTS	
DRAWING / SUB-SYSTEM	SHEET
DIMENSION OUTLINE	1
ASSEMBLY DRAWING	2
ACCESSORY DRIVES & PTOS	3-5
AIR INDUCTION SYSTEM	6-7
COOLING SYSTEM	8-10
ELECTRICAL SYSTEM	11-12
EXHAUST SYSTEM	13
FUEL SYSTEM	14-15
LUBE OIL SYSTEM	16-21
MOUNTING SYSTEM	22
STARTING SYSTEM	23



DO NOT SCALE THIS DRAWING

THIS DRAWING/DATA FILE (AND THE INFORMATION SHOWN THEREON) IS CONFIDENTIAL AND PROPRIETARY AND SHALL NOT BE USED, DISCLOSED TO OTHERS, OR REPRODUCED BY ANY MEANS FOR ANY PURPOSE IN HARD COPY FORM OR IN MACHINE READABLE FILES, WITHOUT WRITTEN CONSENT OF CUMMINS INC., MARKETING CAD SERVICES DEPARTMENT.

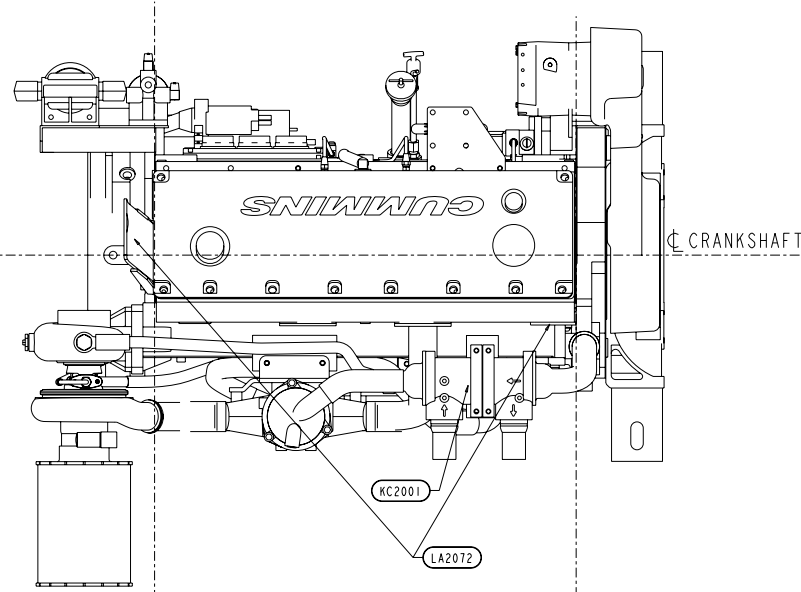
THIS DRAWING IS BASED ON QSM11-M AND QSM11-DM CONFIG NO. D353021MX03 AND PRICE SPEC. 4550

PRODUCT GRAPHICS FILE NO ORIGINAL DRAWING EXISTS FOR THIS ITEM. THE ENGINEERING GRAPHICS DATA FOR THIS ITEM RESIDES IN THE PRODUCT GRAPHICS FILE AND IS CONTROLLED BY THE AGENCY DESIGNATED AS HAVING ITEM CONTROL.

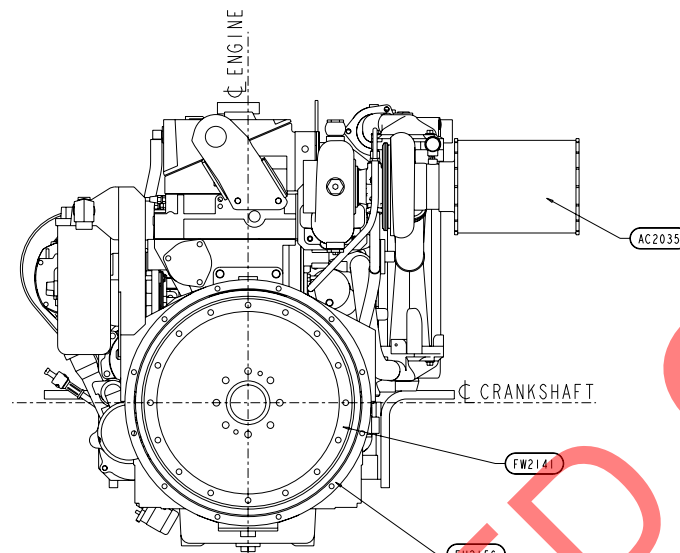
LAST SECTION LETTER USED: A	REF. DRAWING STANDARDS: ANSI Y14.5M ISO 81101	CUMMINS INC.	
UNLESS OTHERWISE SPECIFIED DIMENSIONS ARE IN: MILLIMETERS () ARE IN: INCHES	ITEM NAME QSM11 SUBSYSTEM	IDENTIFIER J	SIZE CODE IDENT. NO. / ITEM NUMBER 3170646
DWN: UNCHECKED	APPD: UNCHECKED	SCALE: 2x	ITEM CONTROL: MCS SHEET 1 OF 23

ITEM NUMBER
3170646

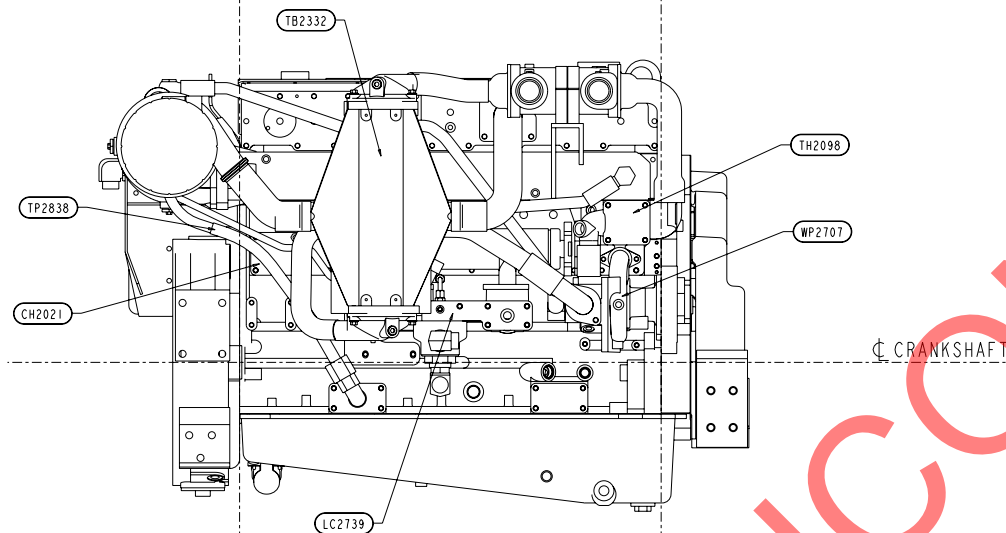
REVISIONS			
ZONE	REV	DESCRIPTION	APP'D
04		QSM11 SUBSYSTEM	



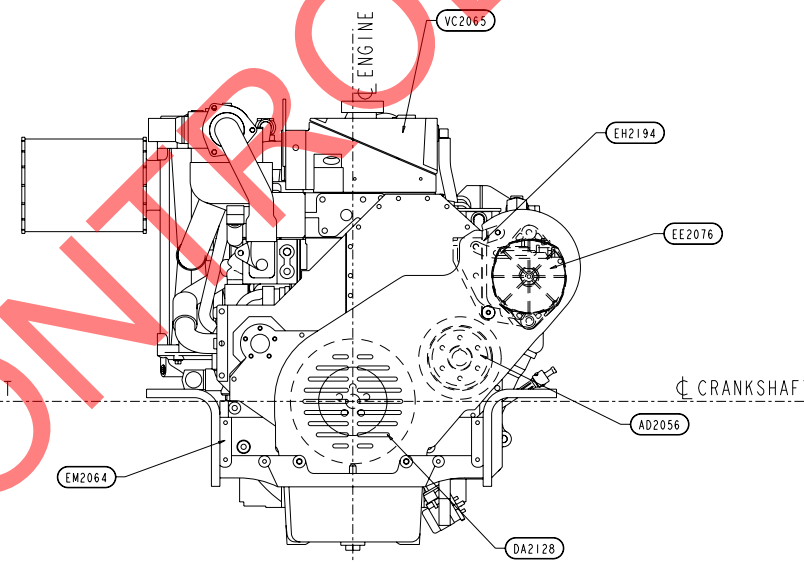
TOP VIEW



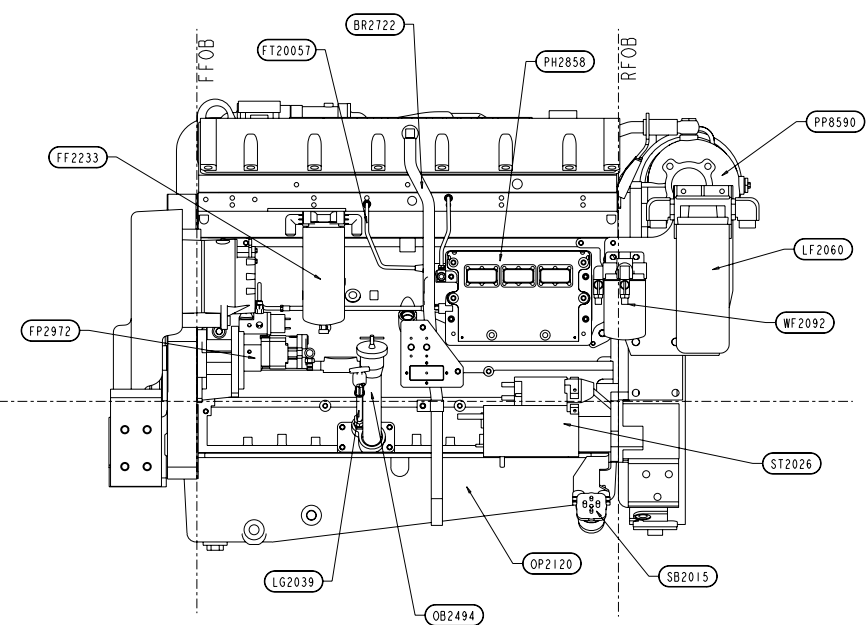
BACK VIEW



STARBOARD VIEW



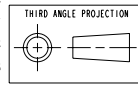
FRONT VIEW



PORT VIEW

INCHES
MILLIMETERS

0 10 20 30 40 50 60 70 80
0 1 2 3 4 5 6 7 8 9 10
INCHES
MILLIMETERS



DO NOT SCALE THIS DRAWING

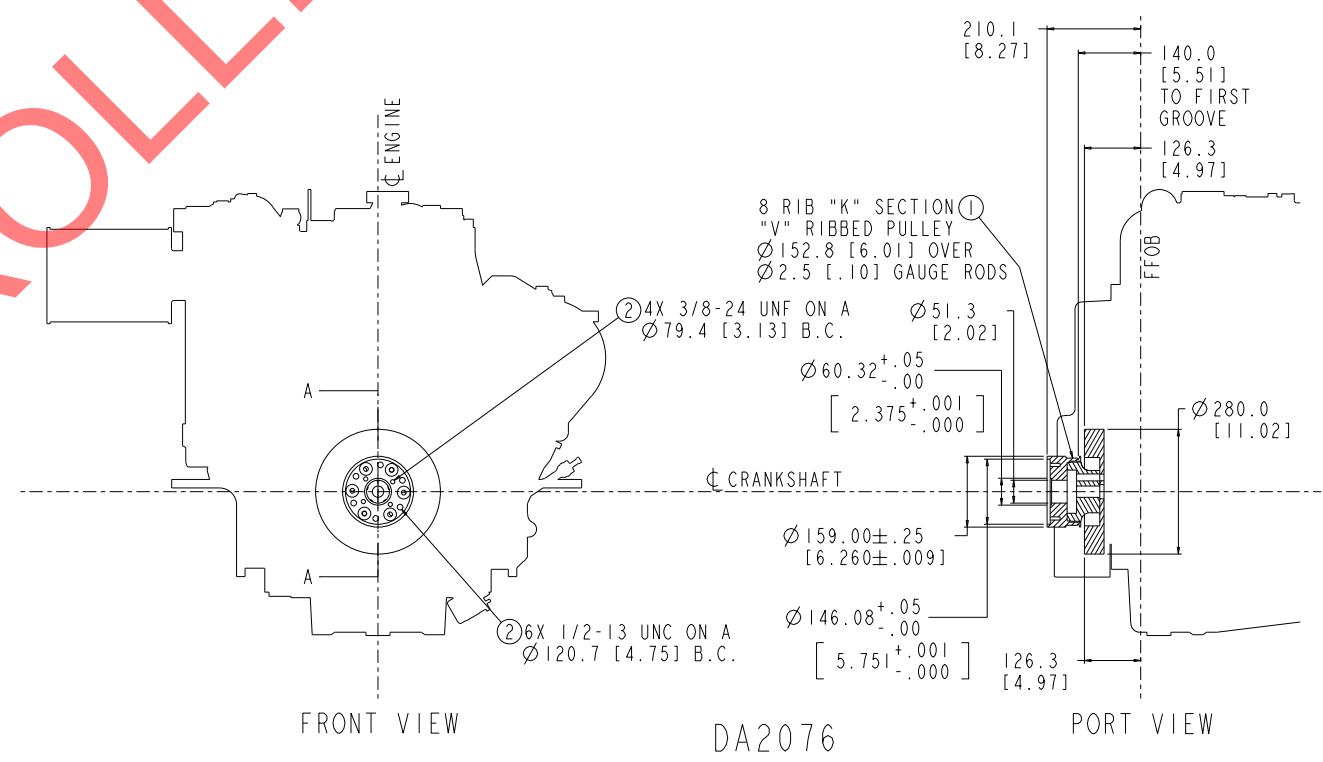
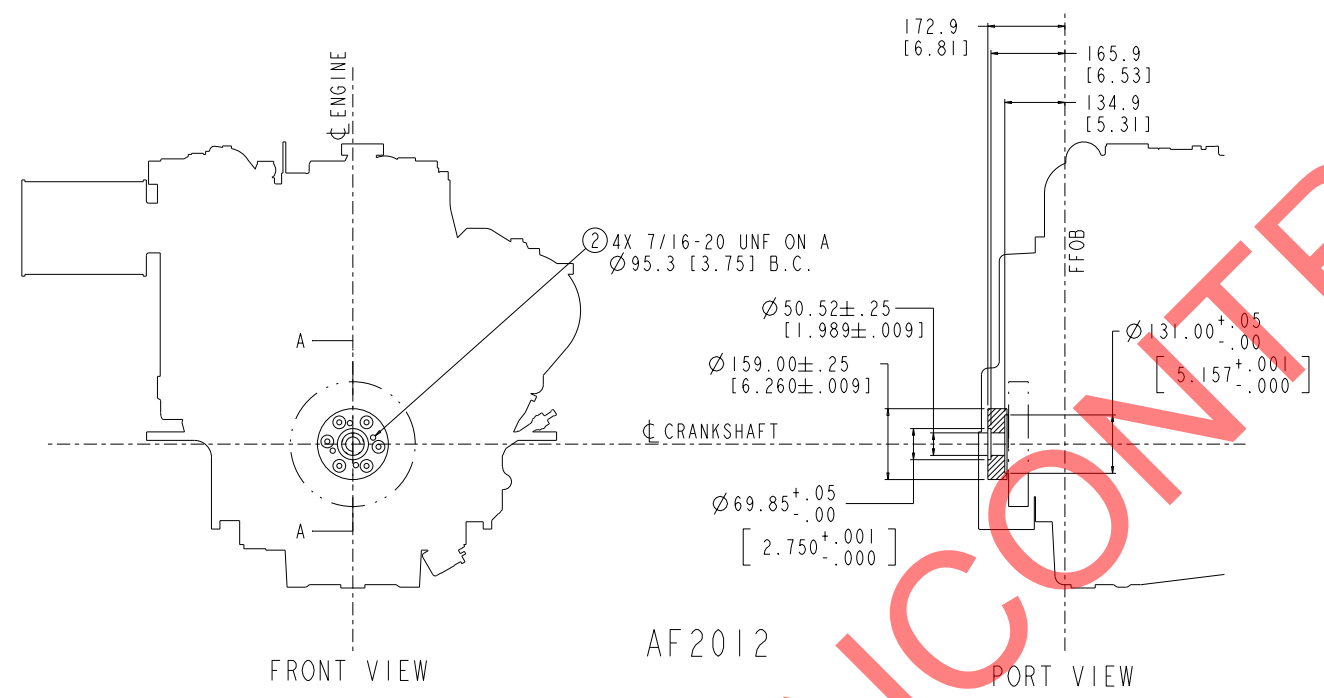
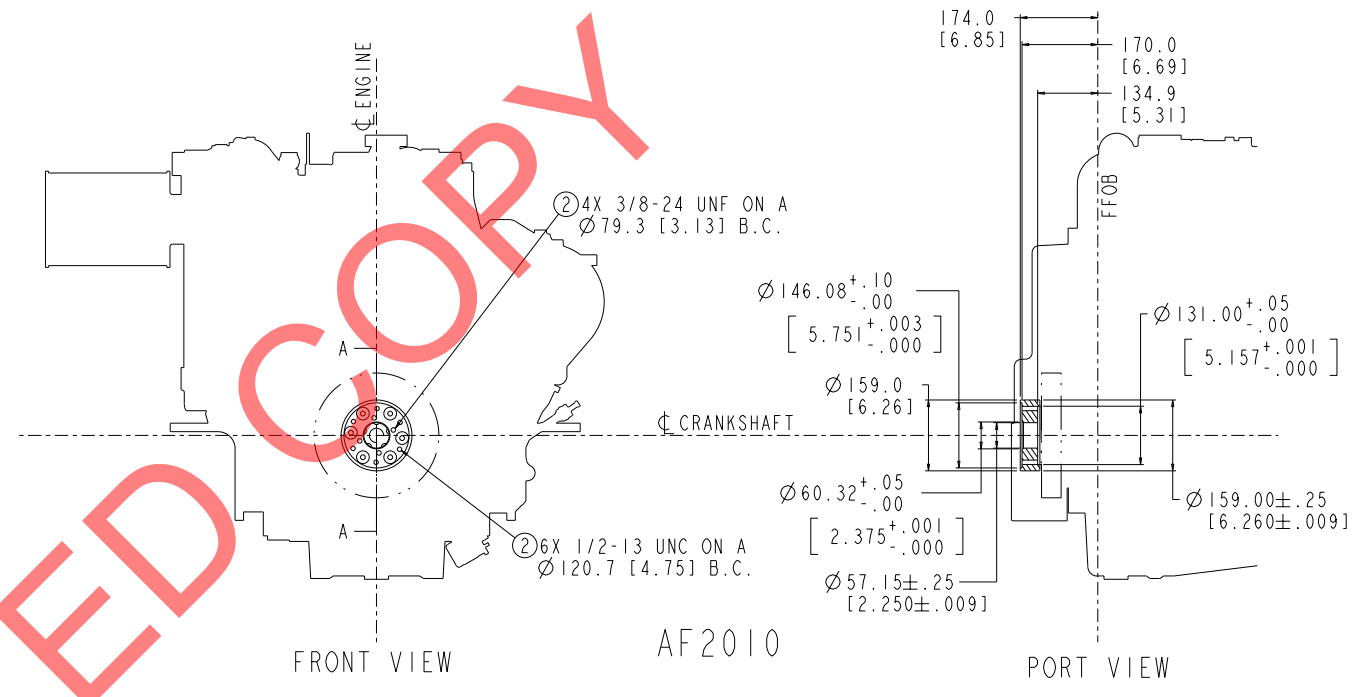
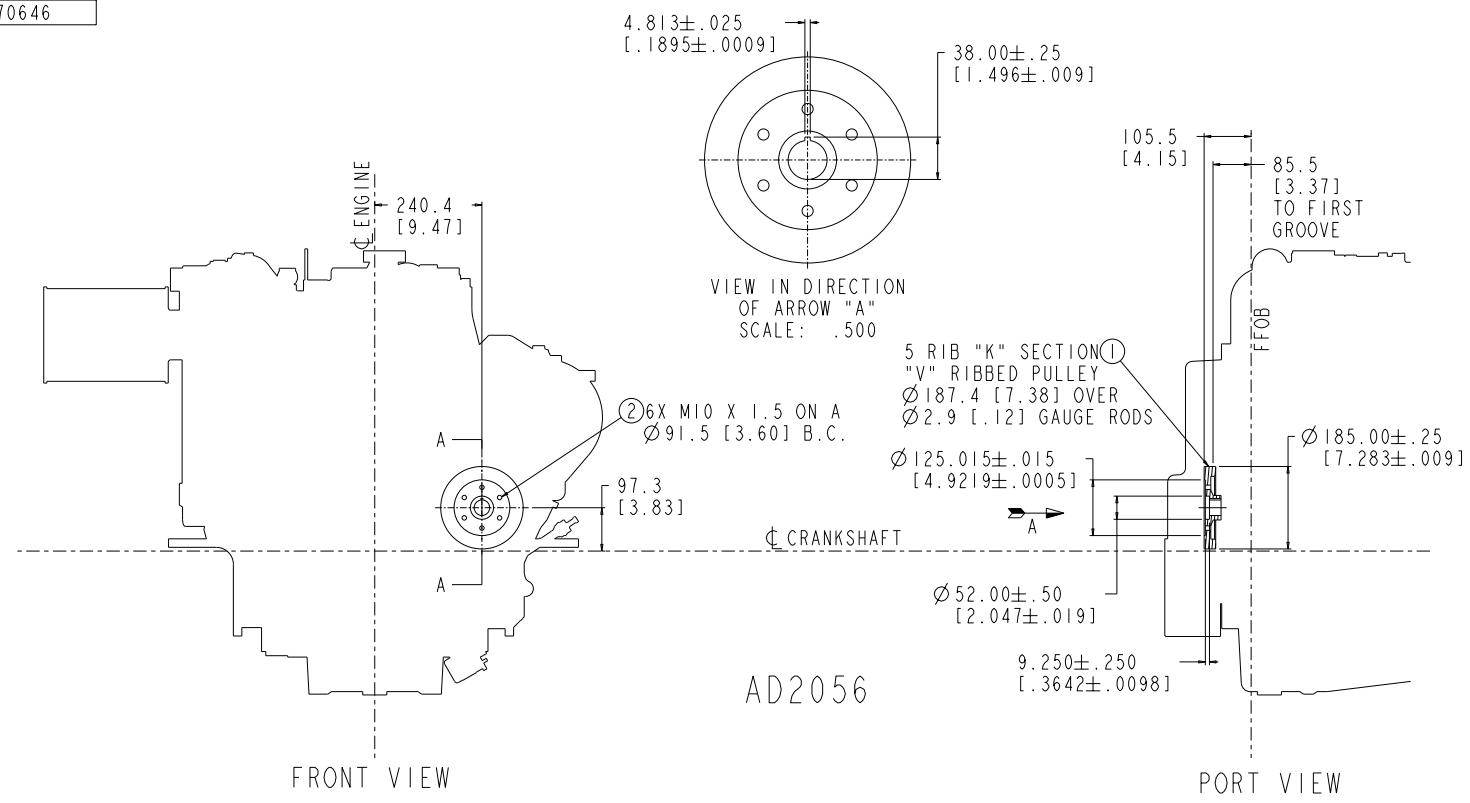
THIS DRAWING/DATA FILE (AND THE INFORMATION SHOWN THEREON) IS CONFIDENTIAL AND PROPRIETARY AND SHALL NOT BE USED, DISCLOSED TO OTHERS, OR REPRODUCED BY ANY MEANS FOR ANY PURPOSE IN HARD COPY FORM OR IN MACHINE READABLE FILES, WITHOUT WRITTEN CONSENT OF CUMMINS INC., MARKETING CAD SERVICES DEPARTMENT.

PRODUCT GRAPHICS FILE
NO ORIGINAL DRAWING EXISTS FOR THIS ITEM. THE ENGINEERING GRAPHICS DATA FOR THIS ITEM RESIDES IN THE PRODUCT GRAPHICS FILE AND IS CONTROLLED BY THE AGENCY DESIGNATED AS HAVING ITEM CONTROL.

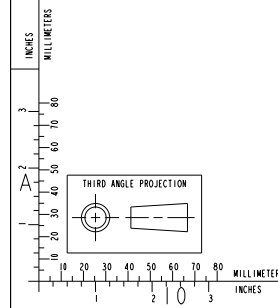
LAST SECTION LETTER USED: A	REF. DRAWING STANDARDS: ANSI Y14.5M ISO 81101	CUMMINS INC.	
UNLESS OTHERWISE SPECIFIED DIMENSIONS ARE IN: MILLIMETERS () ARE IN: INCHES	ITEM NAME QSM11 SUBSYSTEM	IDENTIFIER INSTALLATION DIAGRAM	
DWN: TWMTGANG CHD: UNCHECKED APPD:	SIZE CODE IDENT. NO. ITEM NUMBER J 3170646	SCALE: 2x	ITEM CONTROL: MCS SHEET 2 OF 23

ITEM NUMBER
3170646

REVISIONS			
ZONE	REV	DESCRIPTION	APP'D
04	QSM11	SUBSYSTEM	



UNCONTROLLED COPY



- ① BELT DRIVE CONNECTION
- ② DRIVE CONNECTION BOLT PATTERN
- ③ PTO FLYWHEEL HOUSING BOLT PATTERN- N/A

DO NOT SCALE THIS DRAWING

THIS DRAWING/DATA FILE (AND THE INFORMATION SHOWN THEREON) IS CONFIDENTIAL AND PROPRIETARY AND SHALL NOT BE USED, DISCLOSED TO OTHERS, OR REPRODUCED BY ANY MEANS FOR ANY PURPOSE, IN HARD COPY FORM OR IN MACHINE READABLE FILES, WITHOUT WRITTEN CONSENT OF CUMMINS INC., MARKETING CAD SERVICES DEPARTMENT.

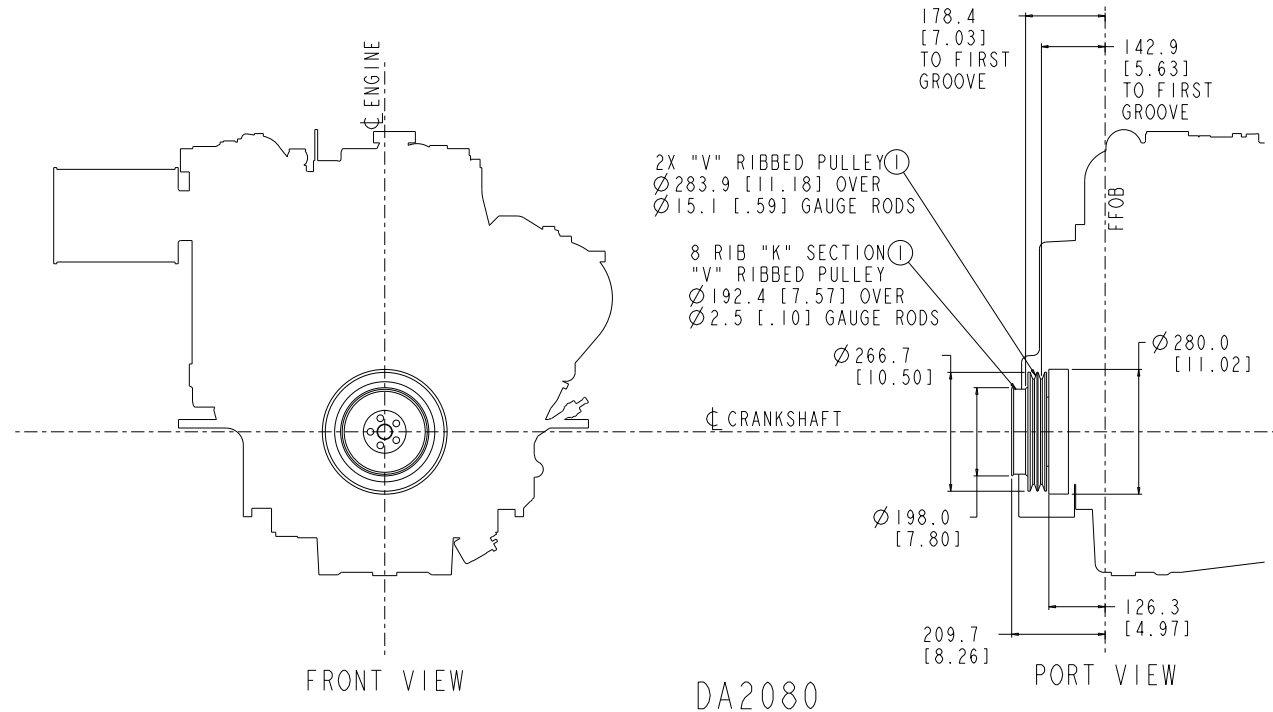
PRODUCT GRAPHICS FILE
NO ORIGINAL DRAWING EXISTS FOR THIS ITEM. THE ENGINEERING GRAPHICS DATA FOR THIS ITEM RESIDES IN THE PRODUCT GRAPHICS FILE AND IS CONTROLLED BY THE AGENCY DESIGNATED AS HAVING ITEM CONTROL.

LAST SECTION LETTER USED: A	REF. DRAWING STANDARDS: ANSI Y14.5M ISO 81101	CUMMINS INC.	
UNLESS OTHERWISE SPECIFIED DIMENSIONS ARE IN: MILLIMETERS () ARE IN: INCHES		ITEM NAME QSM11 SUBSYSTEM	IDENTIFIER
DWN: TMO/TGANG	CHK: UNCHECKED	SIZE: 11x17 (IN.)	ITEM NUMBER 3170646
APPD: UNCHECKED	APPD: UNCHECKED	SCALE: 2x	ITEM CONTROL: MCS SHEET 3 OF 23

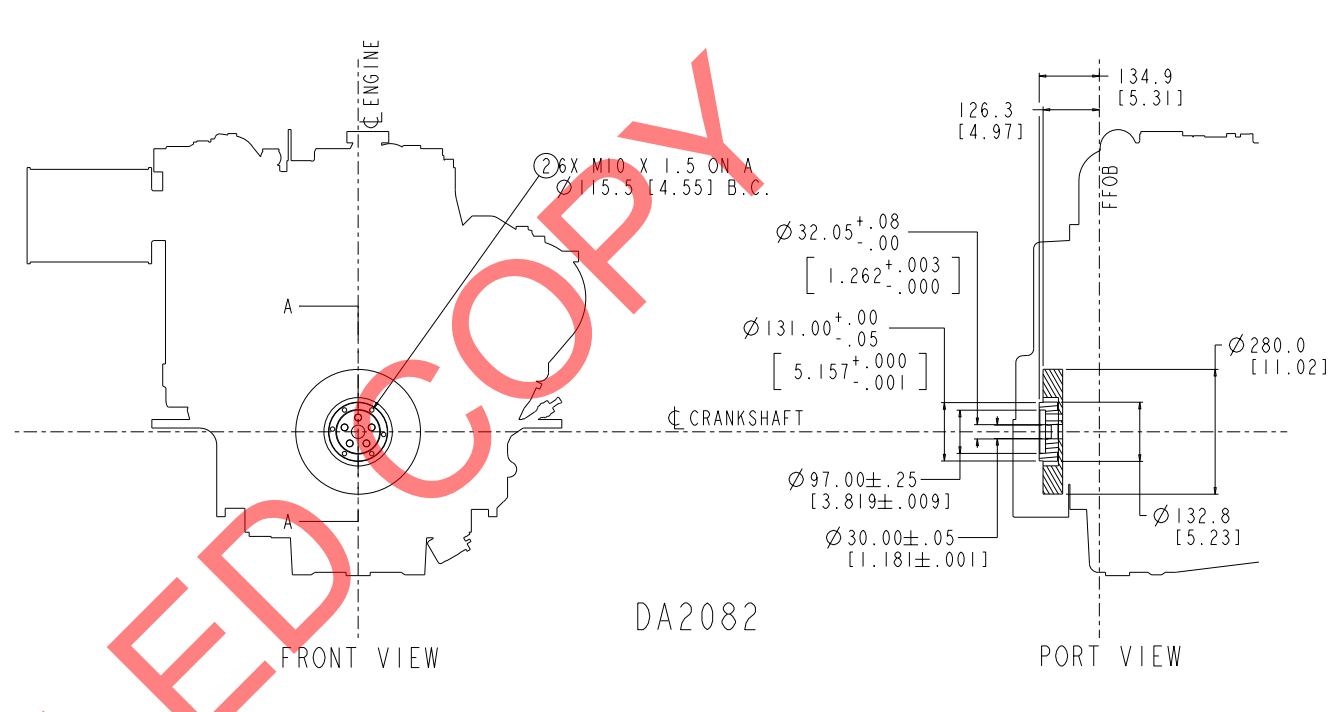
ACCESSORY DRIVES & PTO'S

ITEM NUMBER
3170646

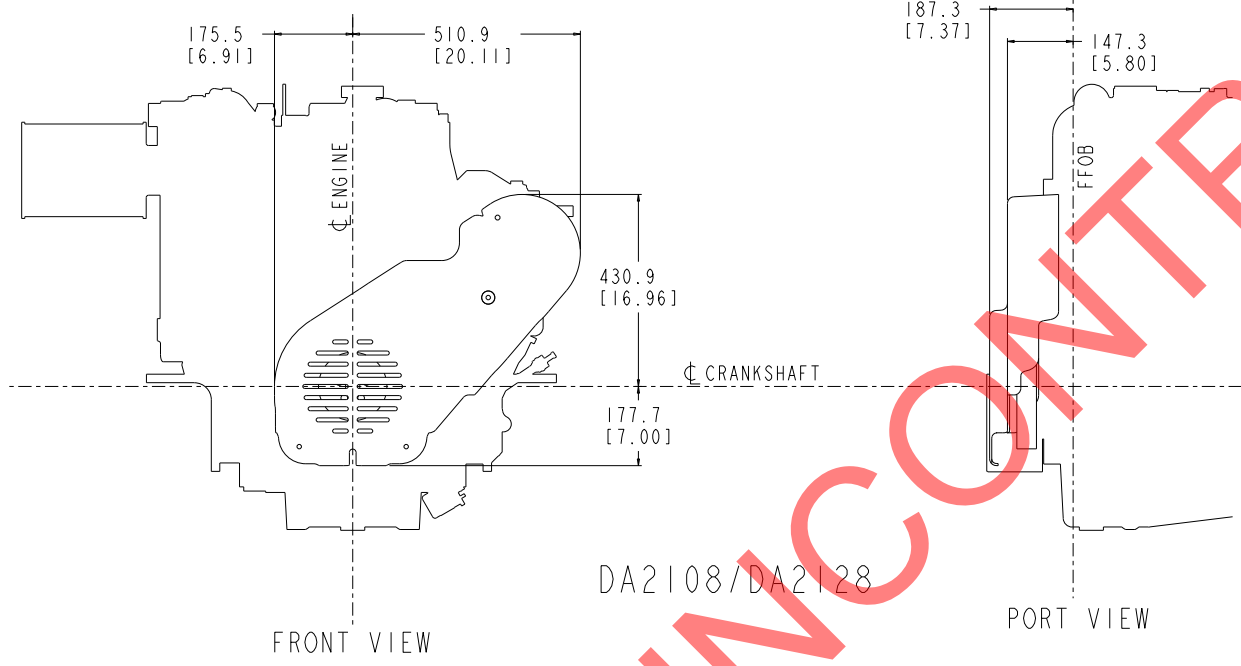
REVISIONS			
ZONE REV	DESCRIPTION	DWN	APP'D
04	QSM11 SUBSYSTEM	TM	06-18-18



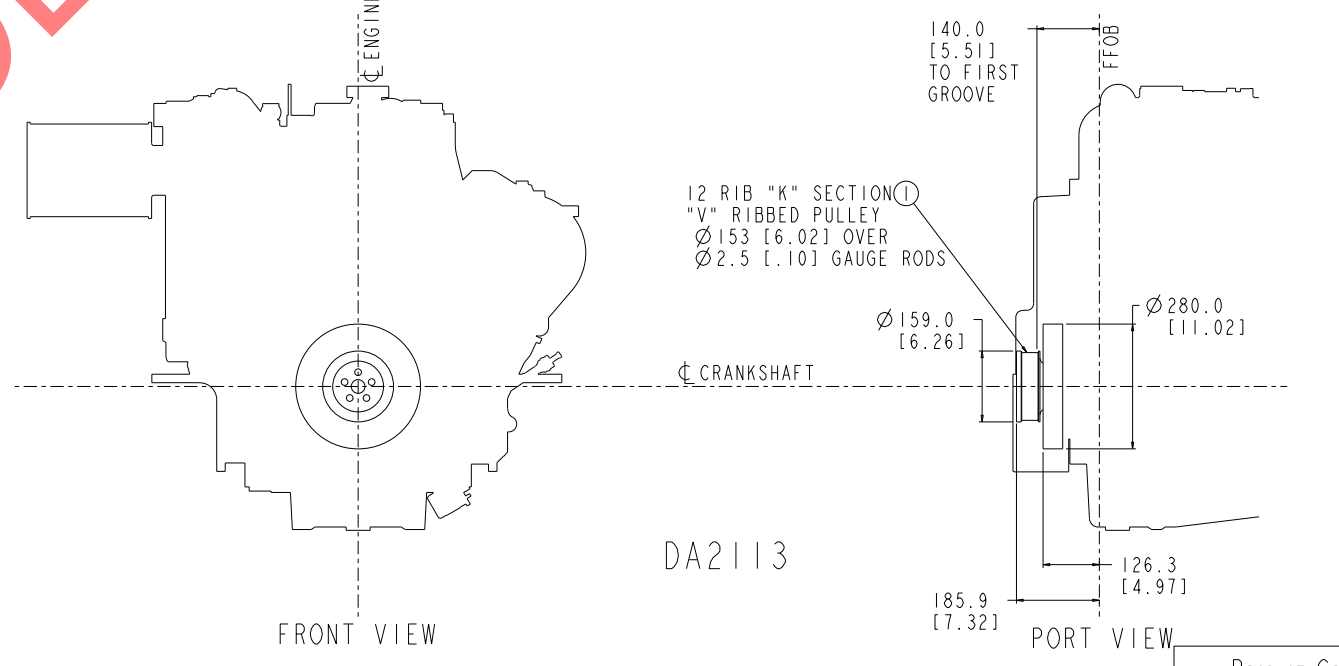
DA2080



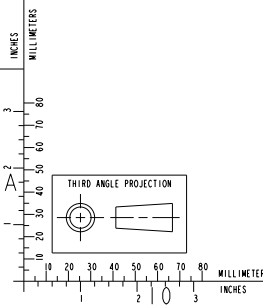
DA2082



DA2108/DA2128



DA2113



- 1 BELT DRIVE CONNECTION
- 2 DRIVE CONNECTION BOLT PATTERN
- 3 PTO FLYWHEEL HOUSING BOLT PATTERN - N/A

UNCONTROLLED COPY

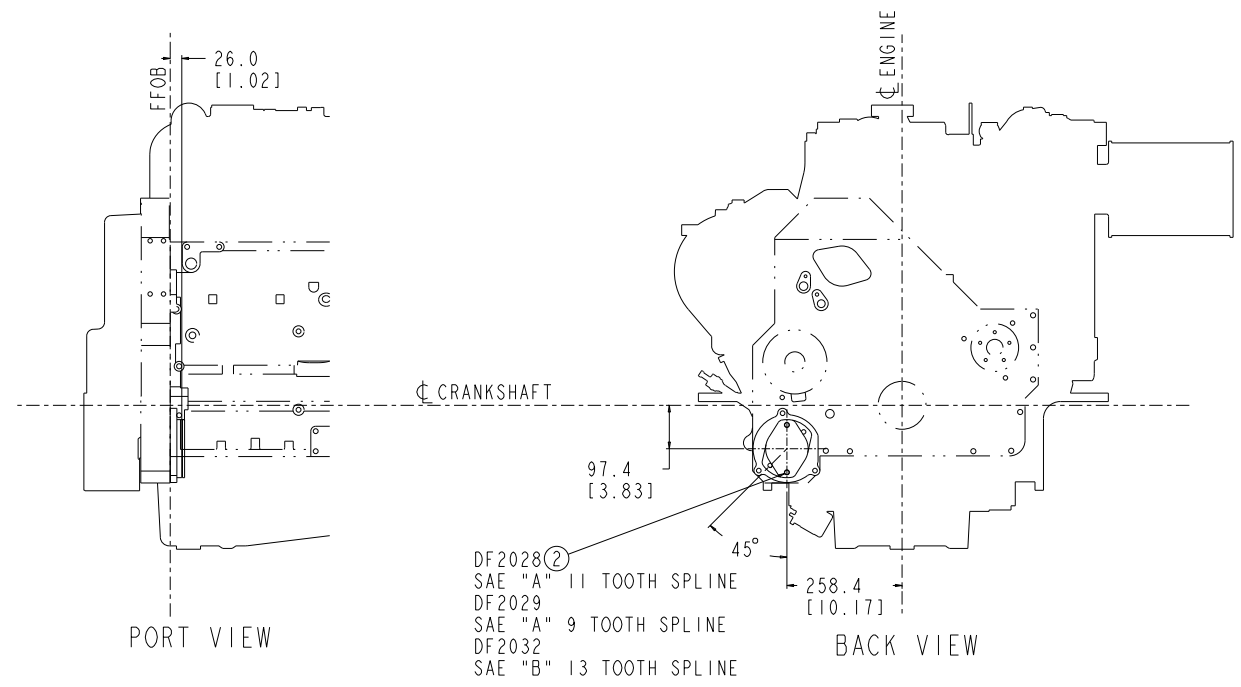
PRODUCT GRAPHICS FILE
NO ORIGINAL DRAWING EXISTS FOR THIS ITEM. THE ENGINEERING GRAPHICS DATA FOR THIS ITEM RESIDES IN THE PRODUCT GRAPHICS FILE AND IS CONTROLLED BY THE AGENCY DESIGNATED AS HAVING ITEM CONTROL.

LAST SECTION LETTER USED: A	REF. DRAWING STANDARDS: ANSI Y14.5M ISO 81101	CUMMINS INC.	
UNLESS OTHERWISE SPECIFIED DIMENSIONS ARE IN: MILLIMETERS () ARE IN: INCHES	ITEM NAME QSM11 SUBSYSTEM	IDENTIFIER J	SIZE CODE (IDENT. NO.) J
DWN: UNCHECKED	APPD: UNCHECKED	ITEM NUMBER 3170646	SCALE: 2x
		ITEM CONTROL: MCS	SHEET 4 OF 23

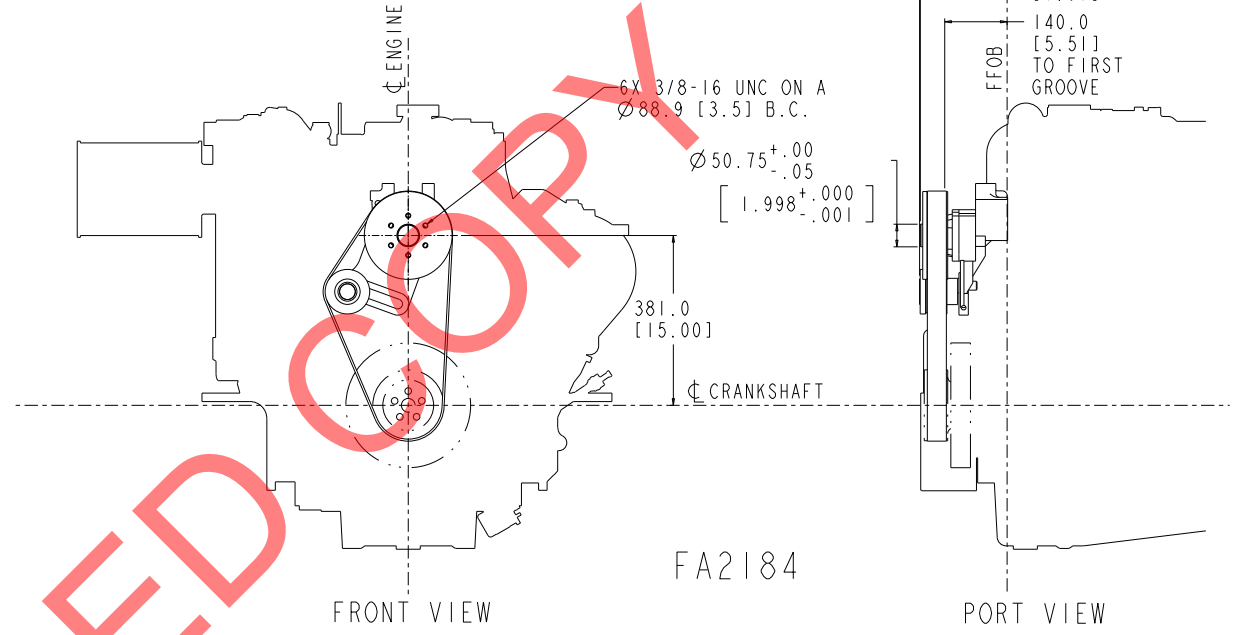
ACCESSORY DRIVES & PTO'S

ITEM NUMBER
3170646

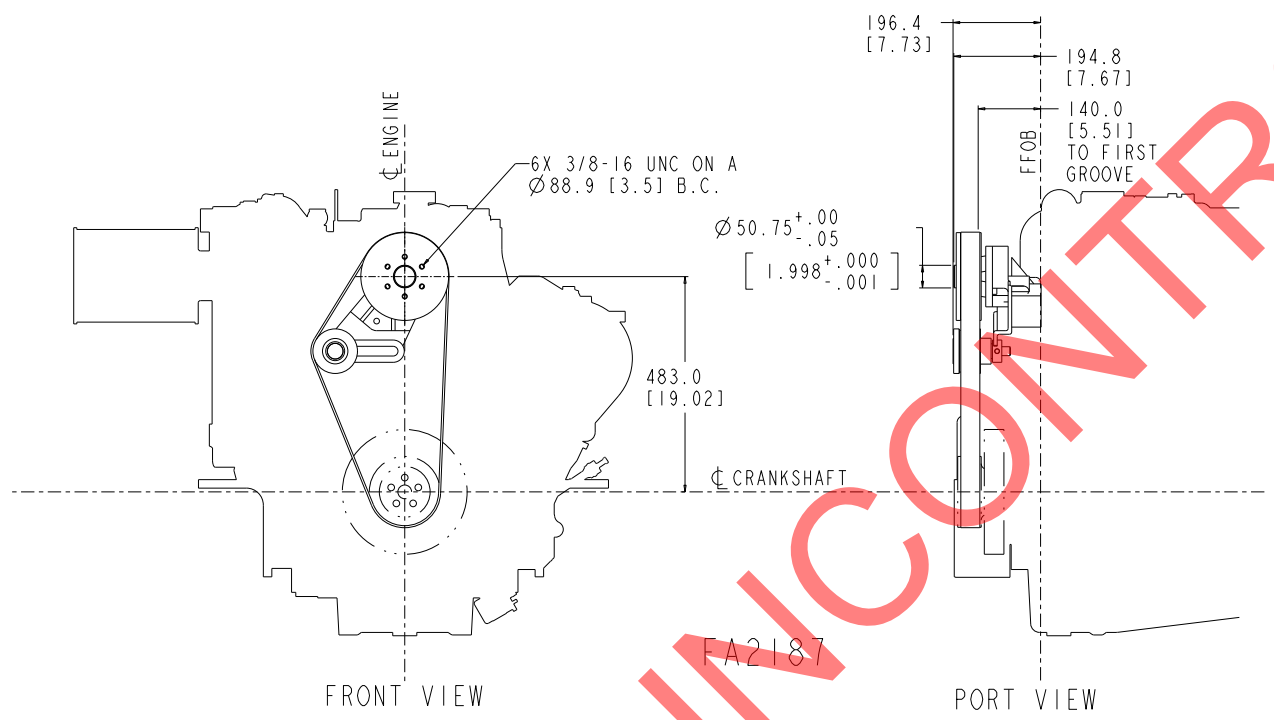
REVISIONS			
ZONE	REV	DESCRIPTION	APP'D
04		QSM11 SUBSYSTEM	



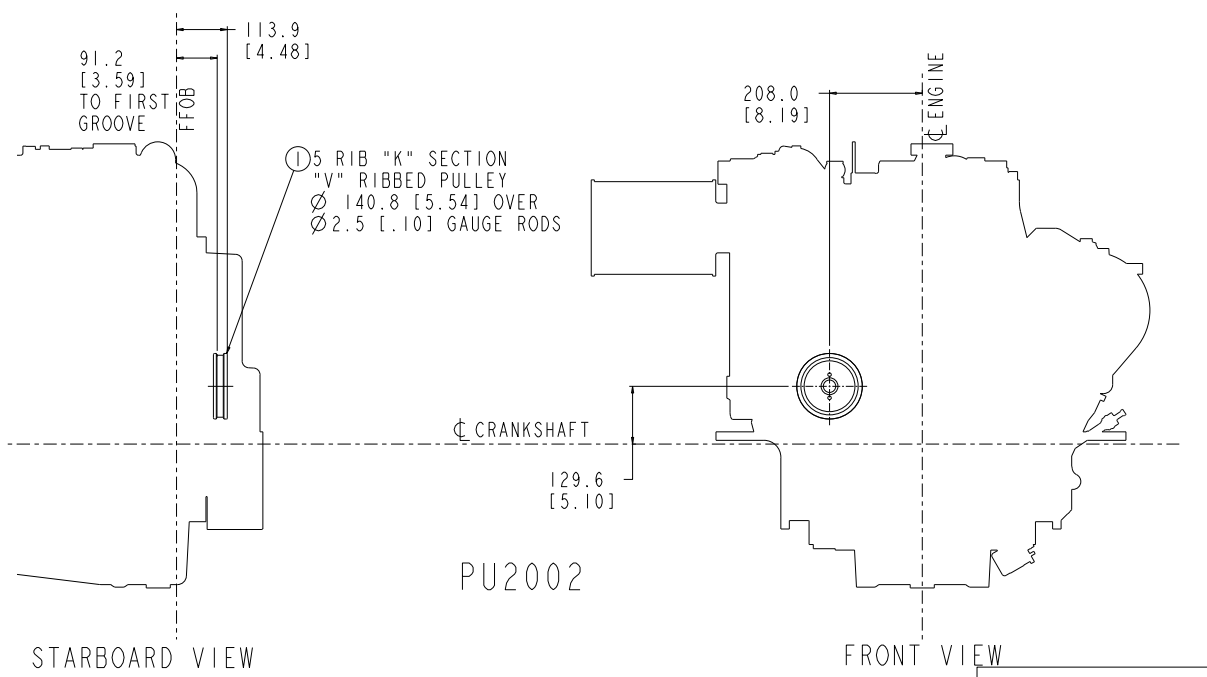
DF2028/DF2029/DF2032



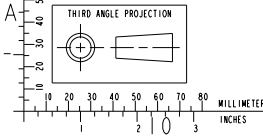
FA2184



FA2187



PU2002



- ① BELT DRIVE CONNECTION
- ② DRIVE CONNECTION BOLT PATTERN
- ③ PTO FLYWHEEL HOUSING BOLT PATTERN - N/A

DO NOT SCALE THIS DRAWING

THIS DRAWING/DATA FILE (AND THE INFORMATION SHOWN THEREON) IS CONFIDENTIAL AND PROPRIETARY AND SHALL NOT BE USED, DISCLOSED TO OTHERS, OR REPRODUCED BY ANY MEANS FOR ANY PURPOSE IN HARD COPY FORM OR IN MACHINE READABLE FILES, WITHOUT WRITTEN CONSENT OF CUMMINS INC., MARKETING CAD SERVICES DEPARTMENT.

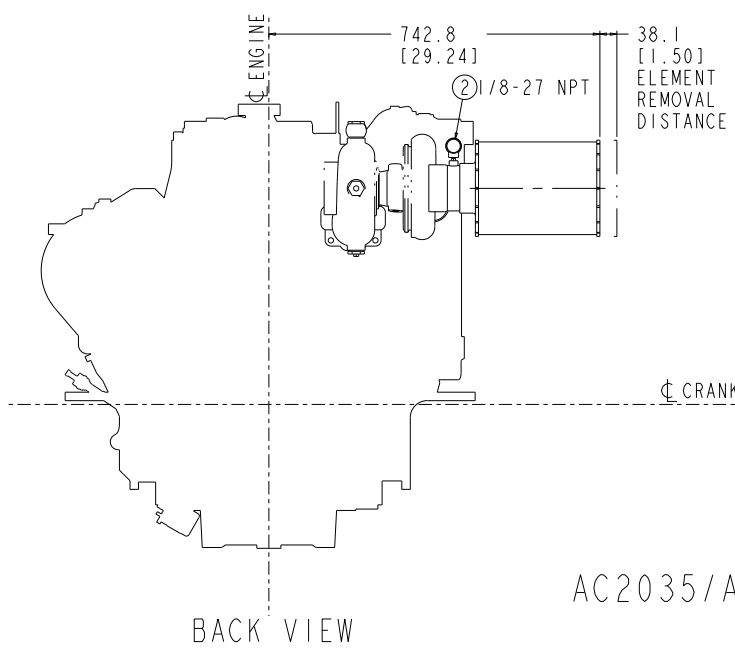
PRODUCT GRAPHICS FILE
NO ORIGINAL DRAWING EXISTS FOR THIS ITEM. THE ENGINEERING GRAPHICS DATA FOR THIS ITEM RESIDES IN THE PRODUCT GRAPHICS FILE AND IS CONTROLLED BY THE AGENCY DESIGNATED AS HAVING ITEM CONTROL.

LAST SECTION LETTER USED: A	REF. DRAWING STANDARDS: ANSI Y14.5M ISO 81101	CUMMINS INC.	
UNLESS OTHERWISE SPECIFIED DIMENSIONS ARE IN: MILLIMETERS () ARE IN: INCHES		ITEM NAME QSM11 SUBSYSTEM	IDENTIFIER
DWN: TMO/TGANG CHD: UNCHECKED APPD: UNCHECKED		SIZE CODE (IDENT. NO.) J	ITEM NUMBER 3170646
SCALE: 2x		ITEM CONTROL: MCS	SHEET 5 OF 23

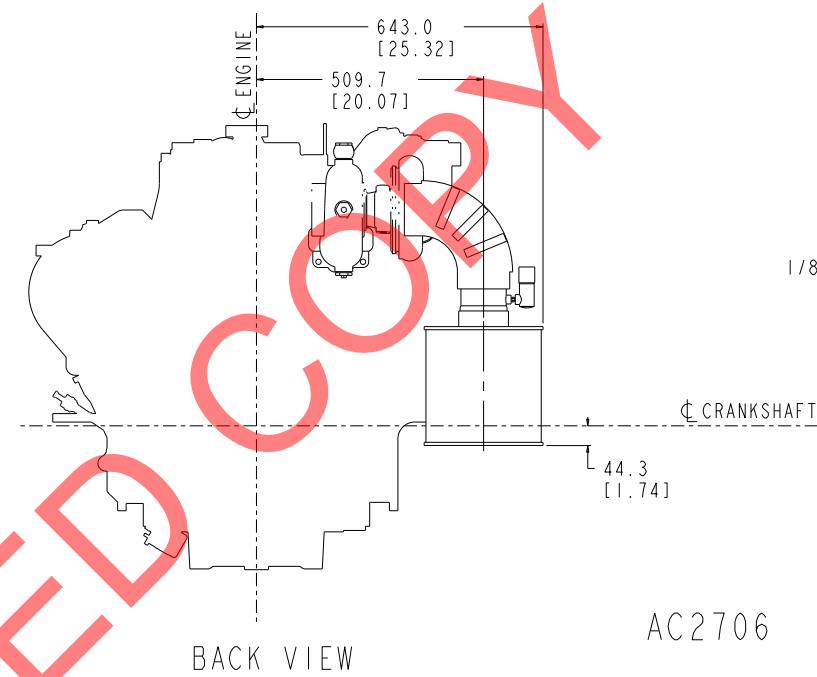
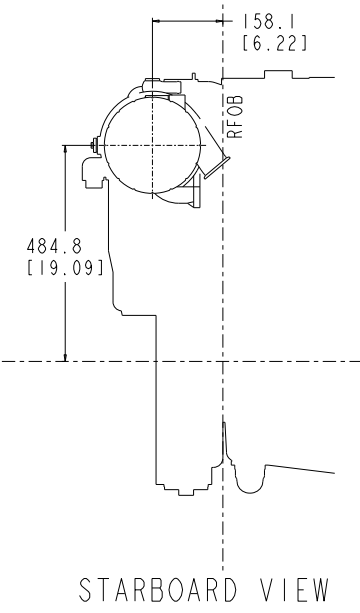
ACCESSORY DRIVES & PTO'S

ITEM NUMBER
3170646

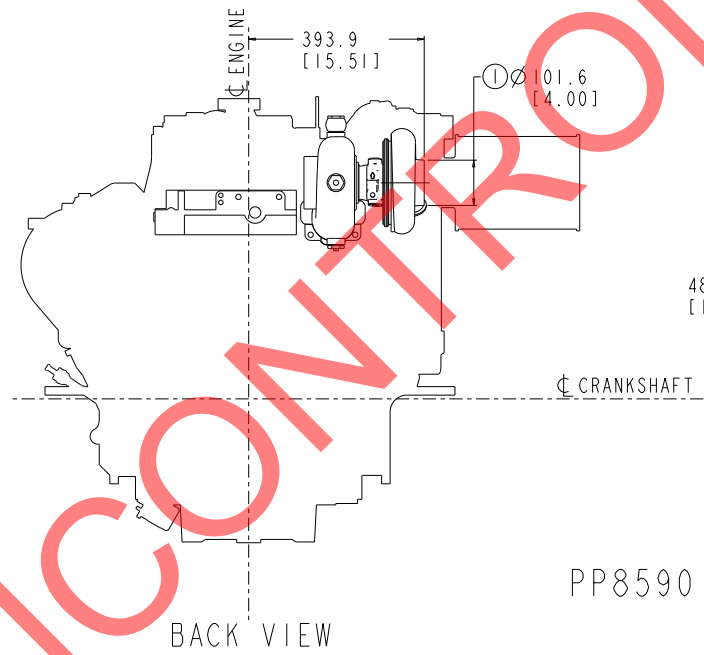
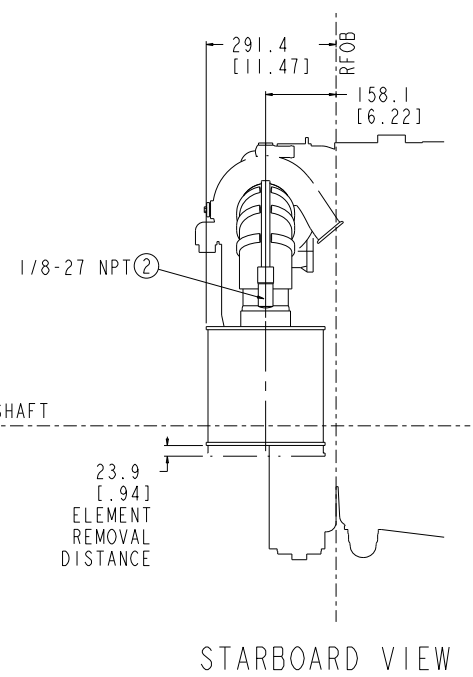
REVISIONS			
ZONE	REV	DESCRIPTION	APP'D
04	OSM11	SUBSYSTEM	06-18-18



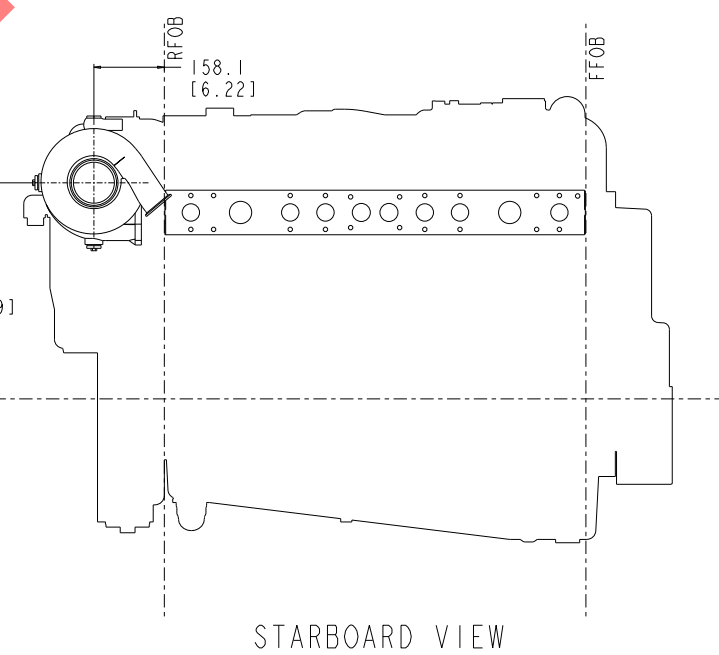
AC2035/AG2001



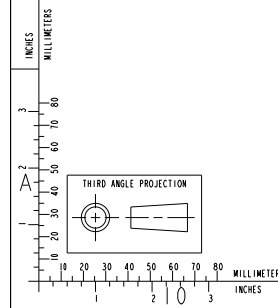
AC2706



PP8590



UNCONTROLLED COPY



- ① AIR INLET CONNECTION, COMPRESSOR
- ② AIR INLET RESTRICTION GAUGE/PORT
- ③ INTAKE MANIFOLD PRESSURE PORT
- ④ INTAKE MANIFOLD TEMPERATURE PORT
- ⑤ TURBO BOOST PRESSURE PORT- N/A

DO NOT SCALE THIS DRAWING
THIS DRAWING/DATA FILE (AND THE INFORMATION SHOWN THEREON) IS CONFIDENTIAL AND PROPRIETARY AND SHALL NOT BE USED, DISCLOSED TO OTHERS, OR REPRODUCED BY ANY MEANS FOR ANY PURPOSE IN HARD COPY FORM OR IN MACHINE READABLE FILES, WITHOUT WRITTEN CONSENT OF CUMMINS INC., MARKETING CAD SERVICES DEPARTMENT.

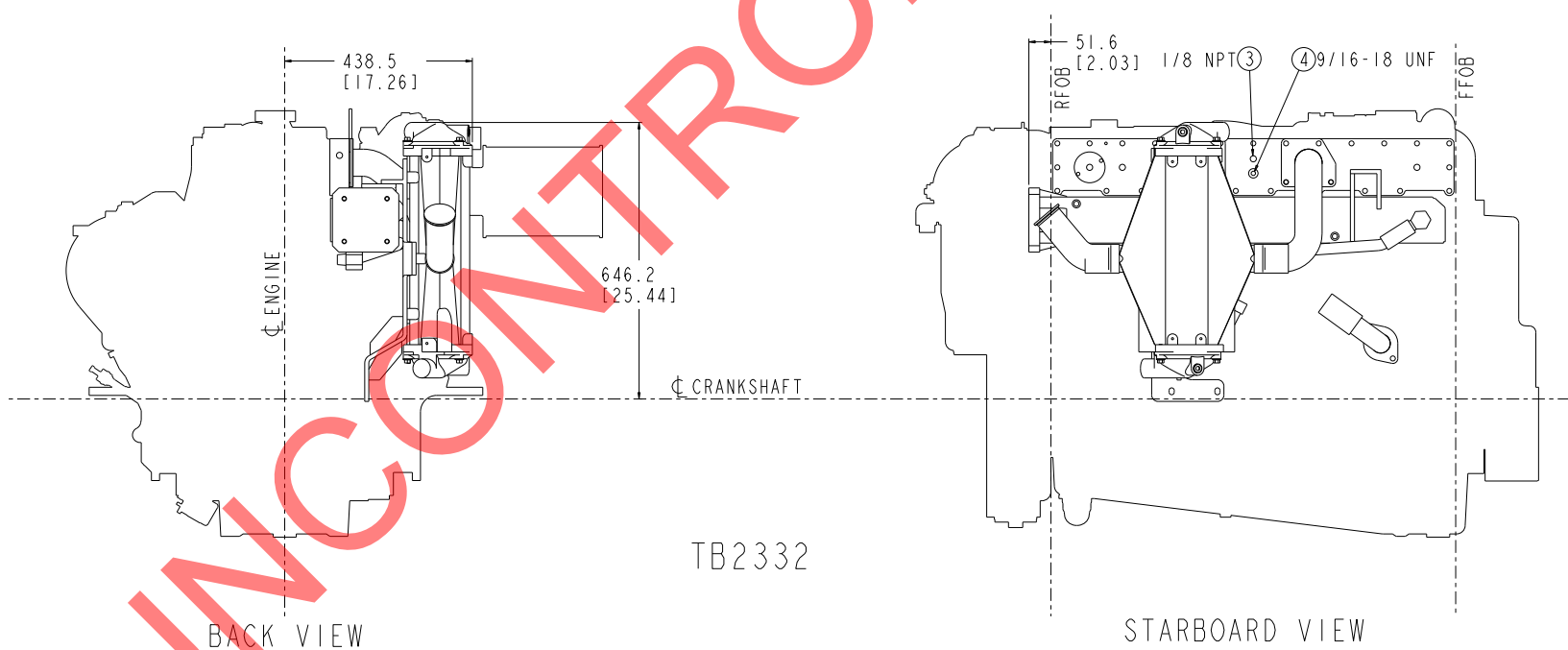
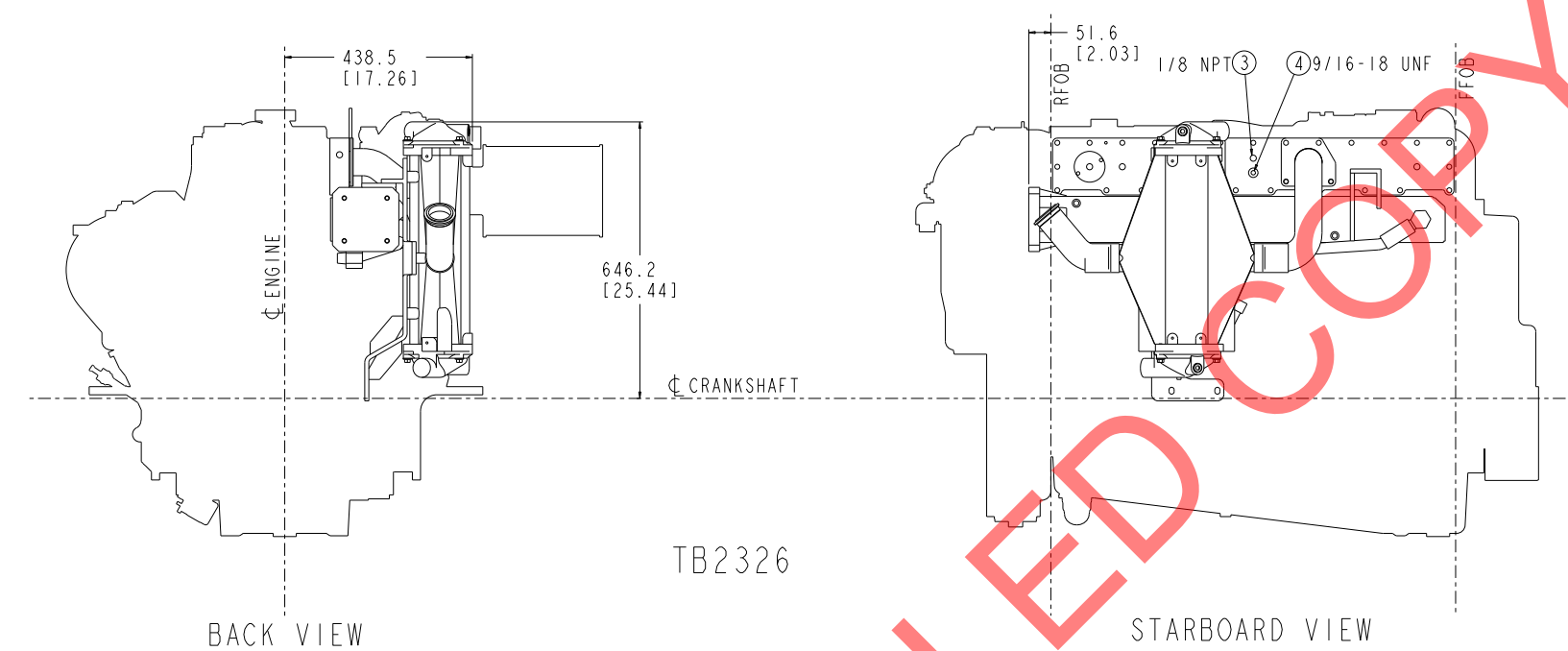
Product Graphics File
NO ORIGINAL DRAWING EXISTS FOR THIS ITEM. THE ENGINEERING GRAPHICS DATA FOR THIS ITEM RESIDES IN THE PRODUCT GRAPHICS FILE AND IS CONTROLLED BY THE AGENCY DESIGNATED AS HAVING ITEM CONTROL.

LAST SECTION LETTER USED: A	REF. DRAWING STANDARDS: ANSI Y14.5M ISO 81101	CUMMINS INC.	
UNLESS OTHERWISE SPECIFIED DIMENSIONS ARE IN: MILLIMETERS () ARE IN: INCHES	ITEM NAME QSM11 SUBSYSTEM	IDENTIFIER J	SIZE CODE IDENT. NO. ITEM NUMBER 3170646
DWN: UNCHECKED APPD: UNCHECKED	SCALE: 2x	ITEM CONTROL: MCS	SHEET 6 OF 23

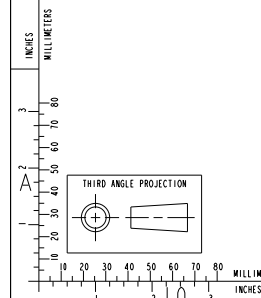
AIR INDUCTION SYSTEM

ITEM NUMBER
3170646

REVISIONS			
ZONE	REV	DESCRIPTION	APP'D
04	OSM11	SUBSYSTEM	



UNCONTROLLED COPY



- ① AIR INLET CONNECTION, COMPRESSOR
- ② AIR INLET RESTRICTION GAUGE/PORT
- ③ INTAKE MANIFOLD PRESSURE PORT
- ④ INTAKE MANIFOLD TEMPERATURE PORT
- ⑤ TURBO BOOST PRESSURE PORT- N/A

DO NOT SCALE THIS DRAWING

THIS DRAWING/DATA FILE (AND THE INFORMATION SHOWN THEREON) IS CONFIDENTIAL AND PROPRIETARY AND SHALL NOT BE USED, DISCLOSED TO OTHERS, OR REPRODUCED BY ANY MEANS FOR ANY PURPOSE IN HARD COPY FORM OR IN MACHINE READABLE FILES, WITHOUT WRITTEN CONSENT OF CUMMINS INC., MARKETING CAD SERVICES DEPARTMENT.

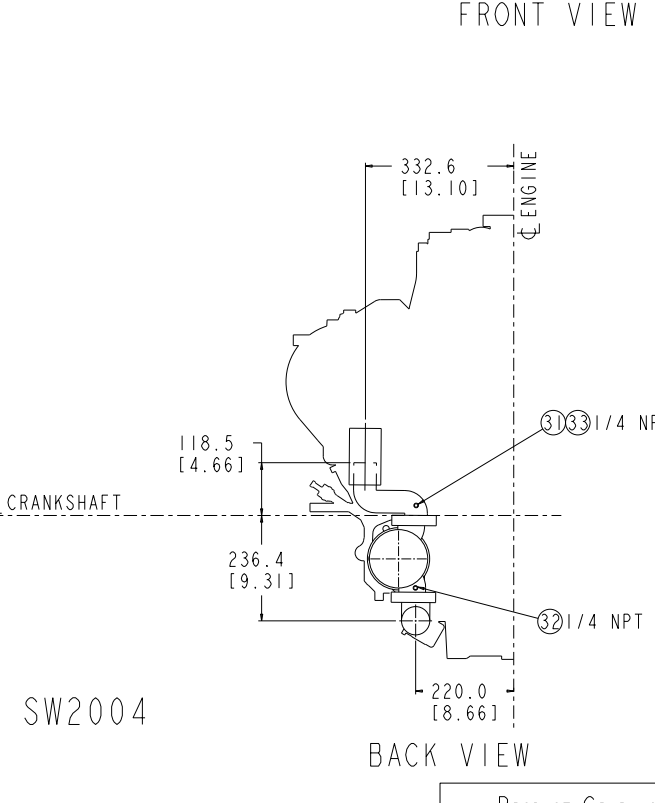
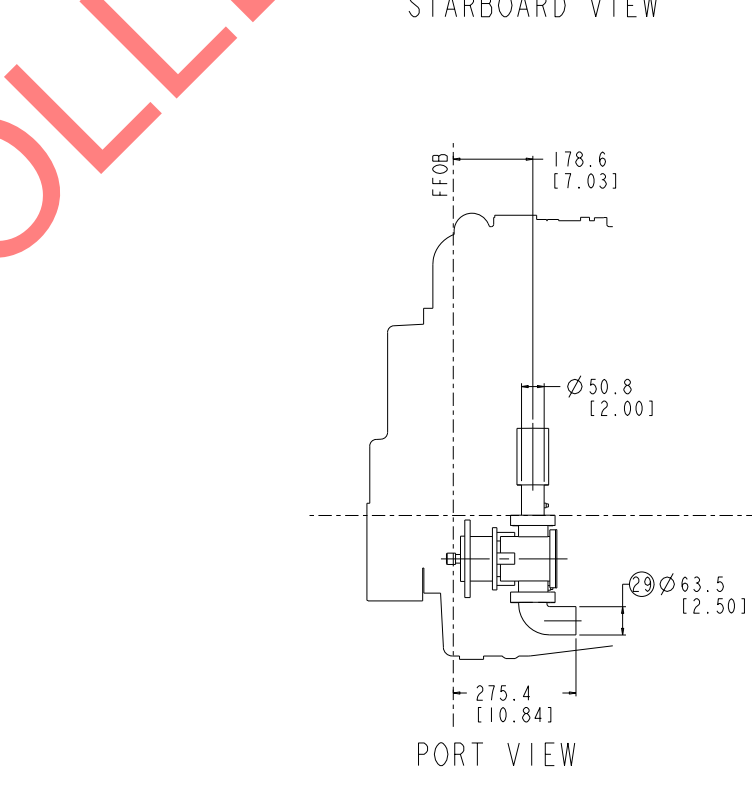
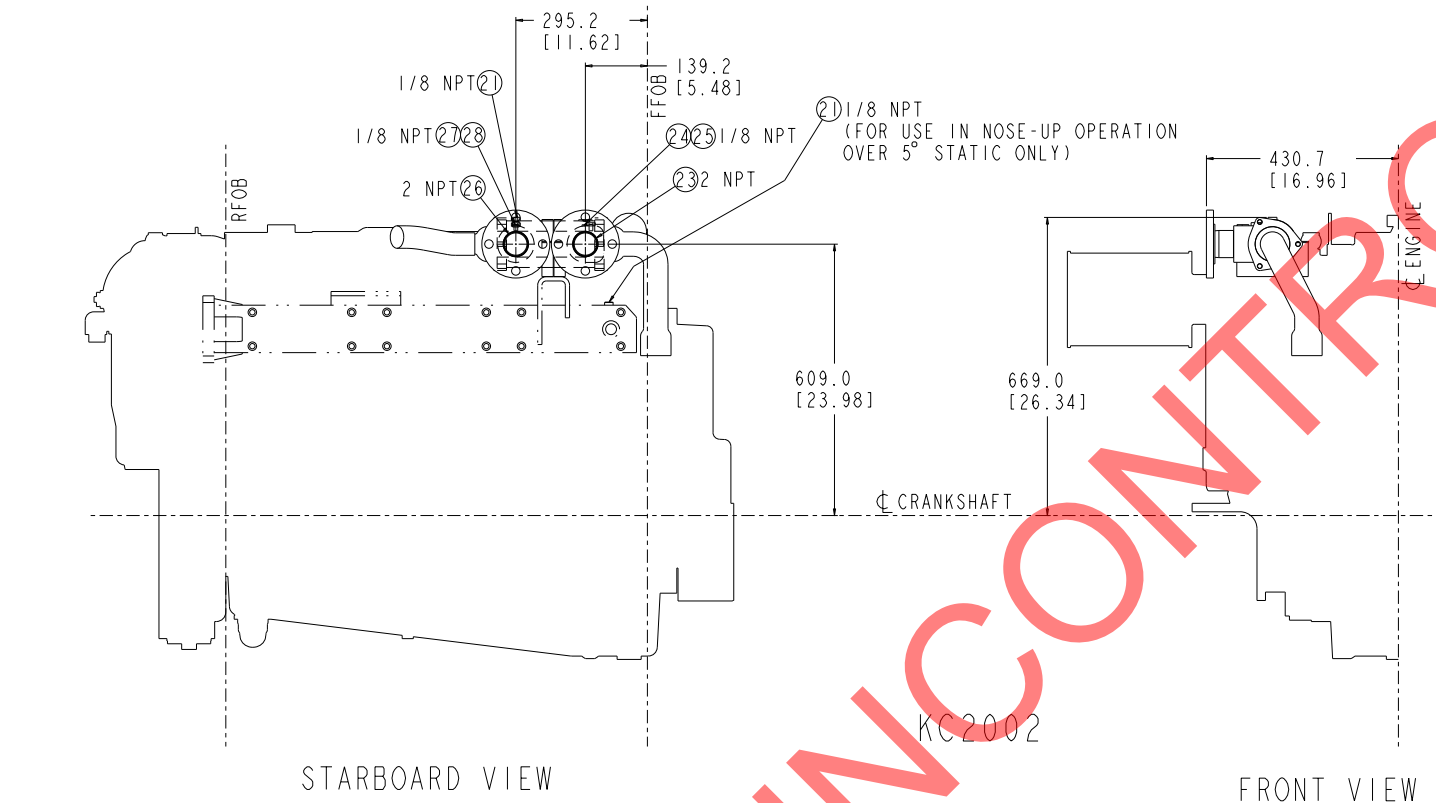
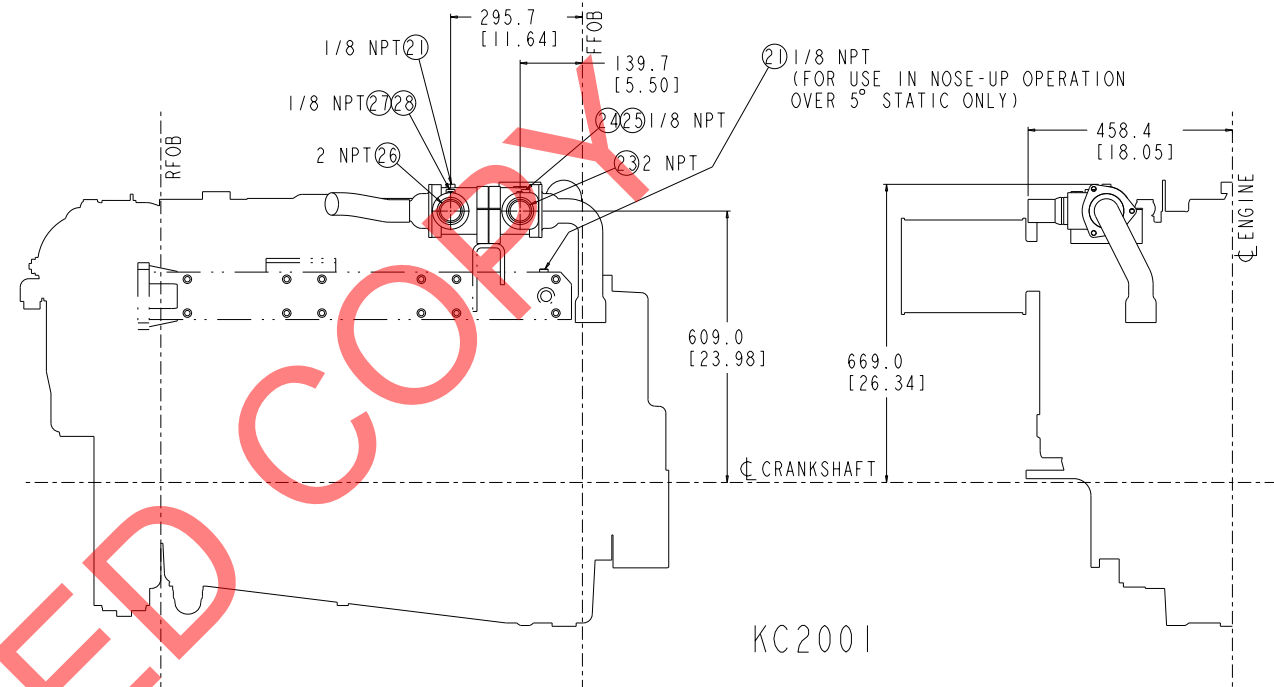
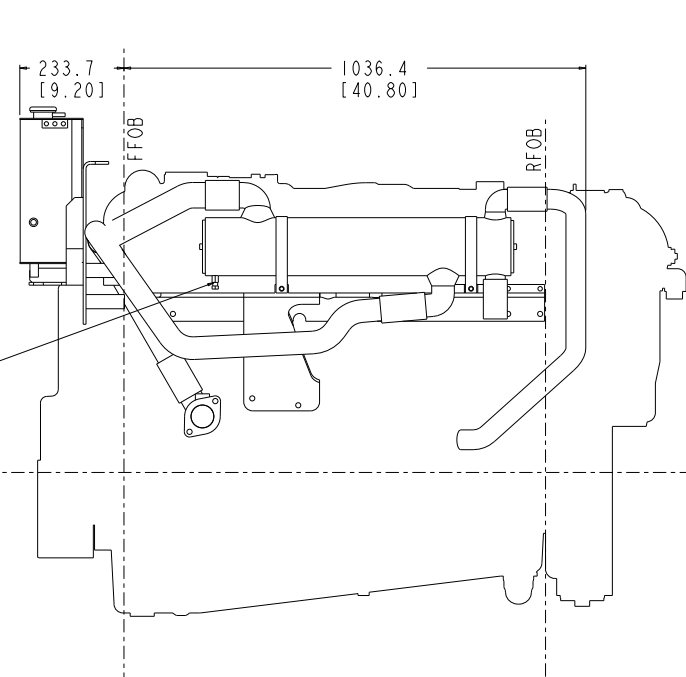
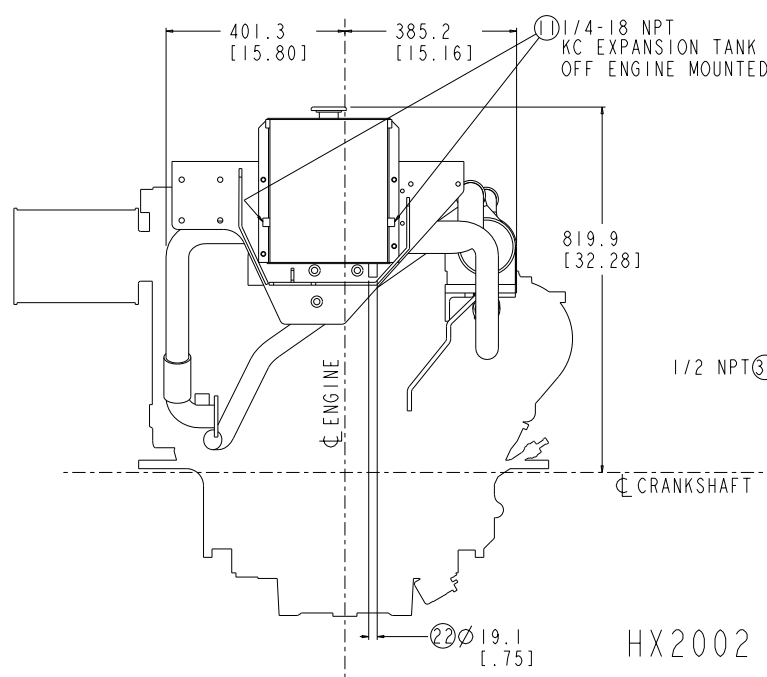
PRODUCT GRAPHICS FILE
NO ORIGINAL DRAWING EXISTS FOR THIS ITEM. THE ENGINEERING GRAPHICS DATA FOR THIS ITEM RESIDES IN THE PRODUCT GRAPHICS FILE AND IS CONTROLLED BY THE AGENCY DESIGNATED AS HAVING ITEM CONTROL.

LAST SECTION LETTER USED: A	REF. DRAWING STANDARDS: ANSI Y14.5M ISO 81101	CUMMINS INC.	
UNLESS OTHERWISE SPECIFIED DIMENSIONS ARE IN: MILLIMETERS () ARE IN: INCHES	ITEM NAME QSM11 SUBSYSTEM	IDENTIFIER	
DWN: UNCHECKED	APPD: UNCHECKED	SIZE CODE IDENT. NO.:	ITEM NUMBER 3170646
SCALE: 2x	ITEM CONTROL: MCS	SHEET 7 OF 23	

AIR INDUCTION SYSTEM

ITEM NUMBER
3170646

REVISIONS			
ZONE	REV	DESCRIPTION	APP'D
04	OSM11	SUBSYSTEM	



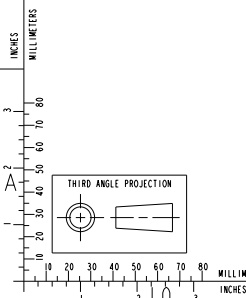
1 COOLANT ACCESSORY RETURN CONNECTION	10 COOLANT INLET TEMPERATURE PORT	19 COOLANT RETURN PRES. PORT, GEAR OIL COOLER- N/A	28 LTA COOLANT RETURN TEMP. PORT INLET
2 COOLANT ACCESSORY SUPPLY CONNECTION	11 COOLANT LEVEL SWITCH PORT	20 COOLANT RETURN TEMP. PORT, GEAR OIL COOLER- N/A	29 SEA WATER INLET CONNECTION
3 COOLANT BLOCK HEATER PORT	12 COOLANT OUTLET CONNECTION- N/A	21 COOLANT VENT FITTING PORT	30 SEA WATER OUTLET CONNECTION
4 COOLANT BLOCK PRESSURE PORT	13 COOLANT OUTLET PRESSURE PORT	22 EXPANSION TANK MAKE-UP CONNECTION	31 SEA WATER OUTLET TEMPERATURE
5 COOLANT DRAIN, AFTERCOOLER	14 COOLANT OUTLET TEMPERATURE PORT	23 LTA COOLANT OUTLET CONNECTION	32 SEA WATER PUMP INLET PRESSURE PORT
6 COOLANT DRAIN, CYLINDER BLOCK	15 COOLANT OUTLET CONNECTION, GEAR OIL COOLER- N/A	24 LTA COOLANT OUTLET PRESSURE PORT	33 SEA WATER PUMP OUTLET PRESSURE PORT
7 COOLANT DRAIN, PUMP	16 COOLANT OUTLET PRES. PORT, GEAR OIL COOLER- N/A	25 LTA COOLANT OUTLET TEMPERATURE PORT	34 ZINC ANODE
8 COOLANT INLET CONNECTION- N/A	17 COOLANT OUTLET TEMP. PORT, GEAR OIL COOLER- N/A	26 LTA COOLANT RETURN CONNECTION INLET	
9 COOLANT INLET PRESSURE PORT	18 COOLANT RETURN CONNECTION, GEAR OIL COOLER- N/A	27 LTA COOLANT RETURN PRESSURE PORT INLET	

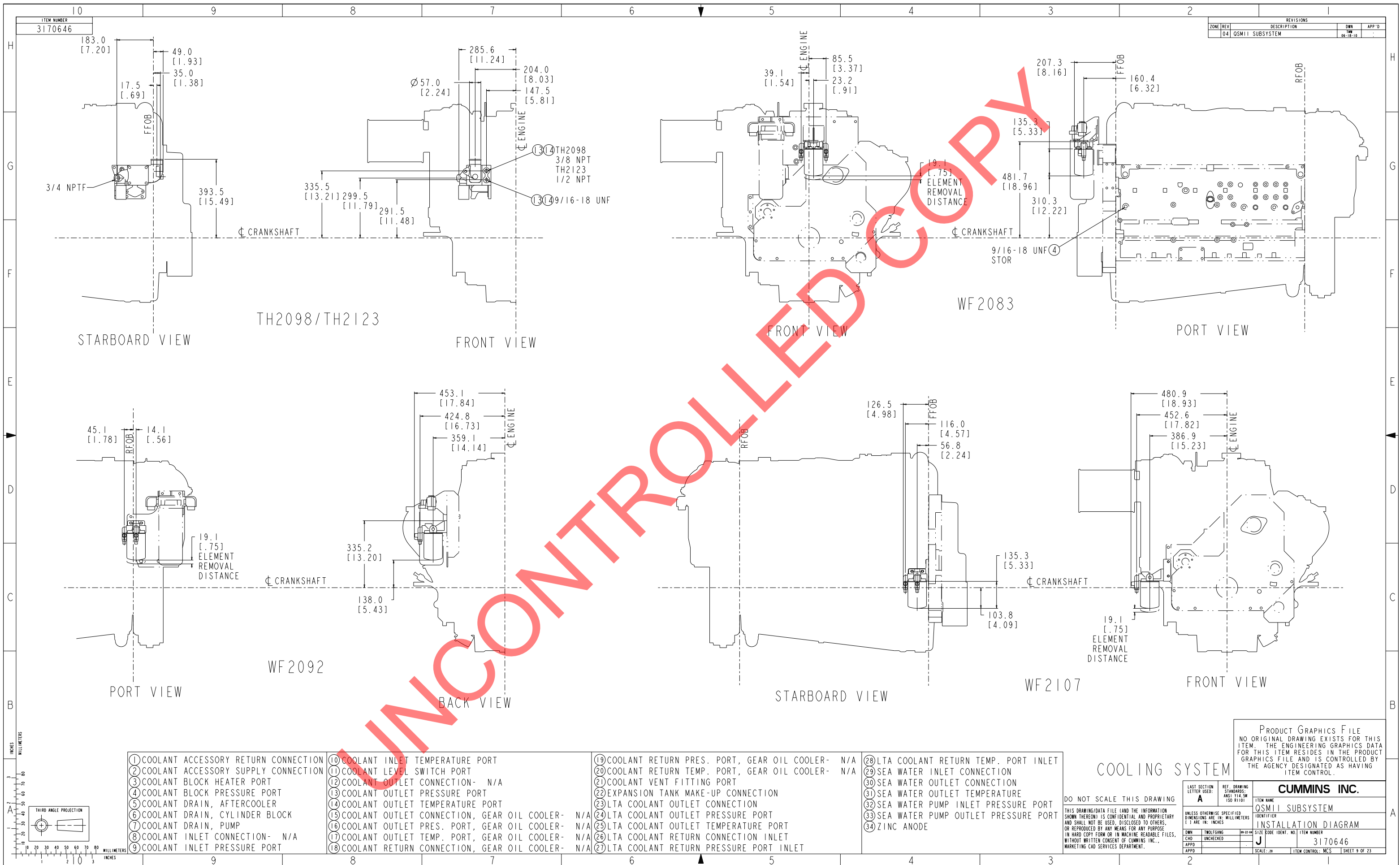
COOLING SYSTEM

Product Graphics File
NO ORIGINAL DRAWING EXISTS FOR THIS ITEM. THE ENGINEERING GRAPHICS DATA FOR THIS ITEM RESIDES IN THE PRODUCT GRAPHICS FILE AND IS CONTROLLED BY THE AGENCY DESIGNATED AS HAVING ITEM CONTROL.

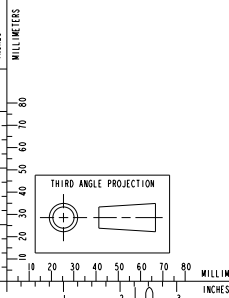
DO NOT SCALE THIS DRAWING
THIS DRAWING/DATA FILE (AND THE INFORMATION SHOWN THEREON) IS CONFIDENTIAL AND PROPRIETARY AND SHALL NOT BE USED, DISCLOSED TO OTHERS, OR REPRODUCED BY ANY MEANS FOR ANY PURPOSE IN HARD COPY FORM OR IN MACHINE READABLE FILES, WITHOUT WRITTEN CONSENT OF CUMMINS INC., MARKETING CAD SERVICES DEPARTMENT.

LAST SECTION LETTER USED: A	REF. DRAWING STANDARDS: ANSI Y14.5M ISO 81101	ITEM NAME CUMMINS INC.
UNLESS OTHERWISE SPECIFIED DIMENSIONS ARE IN: MILLIMETERS () ARE IN: INCHES	IDENTIFIER QSM11 SUBSYSTEM	ITEM NUMBER 3170646
DWN: TMO/TGANG CHD: UNCHECKED APPD:	SCALE: 2:1	ITEM CONTROL: MCS SHEET 8 OF 23





REVISIONS		OWN	APP'D
ZONE	REV	DESCRIPTION	DATE
04		QSM11 SUBSYSTEM	06-18-18



① COOLANT ACCESSORY RETURN CONNECTION	⑩ COOLANT INLET TEMPERATURE PORT	⑲ COOLANT RETURN PRES. PORT, GEAR OIL COOLER- N/A	⑳ SEA WATER INLET CONNECTION
② COOLANT ACCESSORY SUPPLY CONNECTION	⑪ COOLANT LEVEL SWITCH PORT	⑳ COOLANT RETURN TEMP. PORT, GEAR OIL COOLER- N/A	㉑ SEA WATER OUTLET CONNECTION
③ COOLANT BLOCK HEATER PORT	⑫ COOLANT OUTLET CONNECTION- N/A	㉑ COOLANT VENT FITTING PORT	㉒ SEA WATER OUTLET TEMPERATURE
④ COOLANT BLOCK PRESSURE PORT	⑬ COOLANT OUTLET PRESSURE PORT	㉒ EXPANSION TANK MAKE-UP CONNECTION	㉓ SEA WATER PUMP INLET PRESSURE PORT
⑤ COOLANT DRAIN, AFTERCOOLER	⑭ COOLANT OUTLET TEMPERATURE PORT	㉓ LTA COOLANT OUTLET CONNECTION	㉔ SEA WATER PUMP OUTLET PRESSURE PORT
⑥ COOLANT DRAIN, CYLINDER BLOCK	⑮ COOLANT OUTLET CONNECTION, GEAR OIL COOLER- N/A	㉔ LTA COOLANT OUTLET PRESSURE PORT	㉕ ZINC ANODE
⑦ COOLANT DRAIN, PUMP	⑯ COOLANT OUTLET PRES. PORT, GEAR OIL COOLER- N/A	㉕ LTA COOLANT OUTLET TEMPERATURE PORT	
⑧ COOLANT INLET CONNECTION- N/A	⑰ COOLANT OUTLET TEMP. PORT, GEAR OIL COOLER- N/A	㉖ LTA COOLANT RETURN CONNECTION INLET	
⑨ COOLANT INLET PRESSURE PORT	⑱ COOLANT RETURN CONNECTION, GEAR OIL COOLER- N/A	㉖ LTA COOLANT RETURN PRESSURE PORT INLET	

Product Graphics File
NO ORIGINAL DRAWING EXISTS FOR THIS ITEM. THE ENGINEERING GRAPHICS DATA FOR THIS ITEM RESIDES IN THE PRODUCT GRAPHICS FILE AND IS CONTROLLED BY THE AGENCY DESIGNATED AS HAVING ITEM CONTROL.

CUMMINS INC.

ITEM NAME: QSM11 SUBSYSTEM
IDENTIFIER: INSTALLATION DIAGRAM
ITEM NUMBER: 3170646
SCALE: 2:1
ITEM CONTROL: MCS
SHEET 9 OF 23

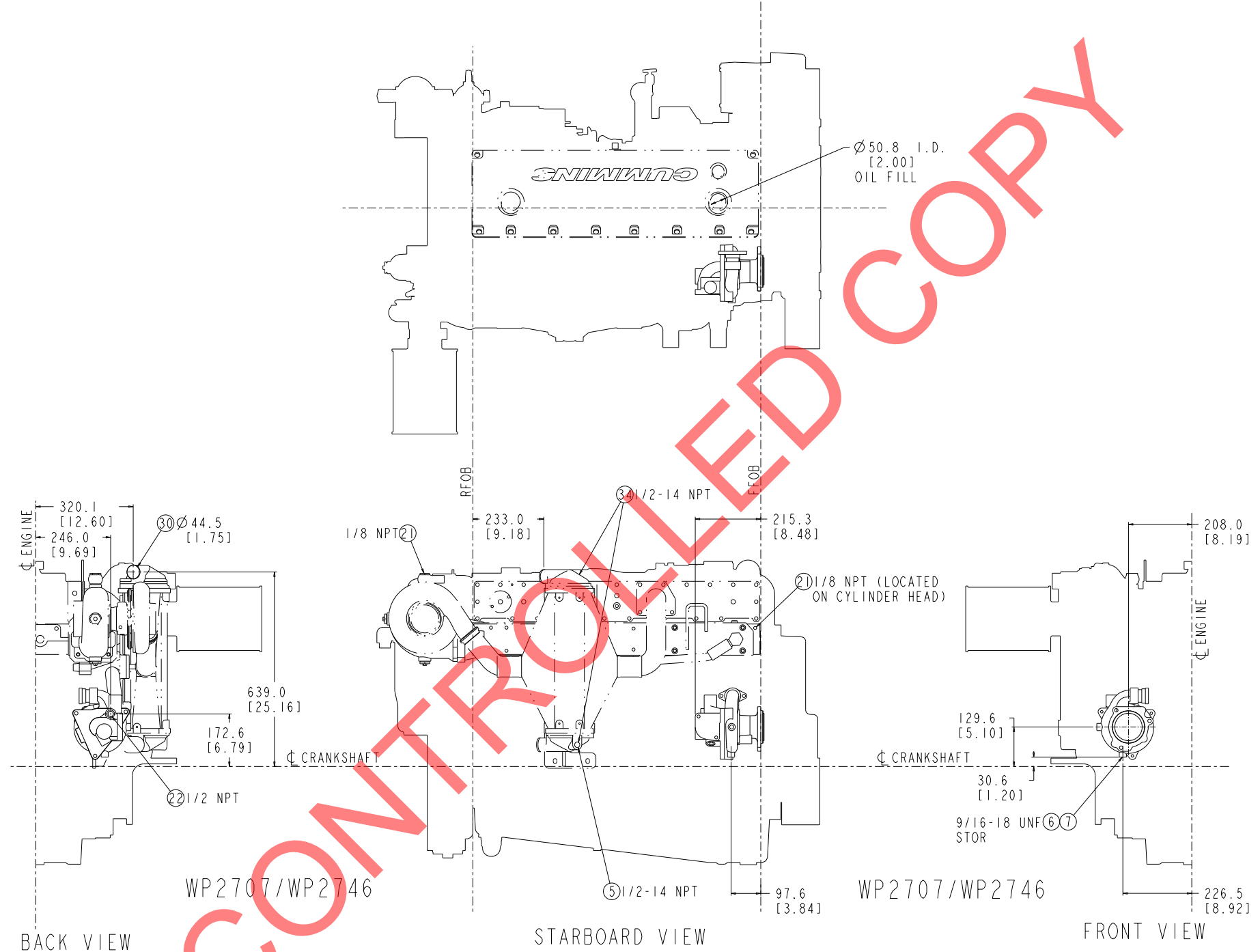
DO NOT SCALE THIS DRAWING

THIS DRAWING/DATA FILE (AND THE INFORMATION SHOWN THEREON) IS CONFIDENTIAL AND PROPRIETARY AND SHALL NOT BE USED, DISCLOSED TO OTHERS, OR REPRODUCED BY ANY MEANS FOR ANY PURPOSE IN HARD COPY FORM OR IN MACHINE READABLE FILES, WITHOUT WRITTEN CONSENT OF CUMMINS INC., MARKETING CAD SERVICES DEPARTMENT.

LAST SECTION LETTER USED: A	REF. DRAWING STANDARDS: ANSI Y14.5M ISO 81101
UNLESS OTHERWISE SPECIFIED DIMENSIONS ARE IN: MILLIMETERS () ARE IN: INCHES	
DWN: TMO/TGANG	HW: JH-H
CHD: UNCHECKED	
APPD: UNCHECKED	

ITEM NUMBER
3170646

REVISIONS			
ZONE	REV	DESCRIPTION	APP'D
04		OSM11 SUBSYSTEM	



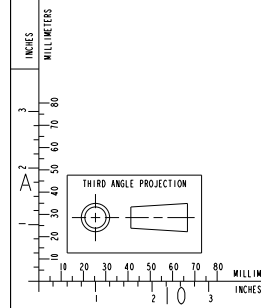
① COOLANT ACCESSORY RETURN CONNECTION	⑩ COOLANT INLET TEMPERATURE PORT	⑲ COOLANT RETURN PRES. PORT, GEAR OIL COOLER- N/A	⑳ SEA WATER INLET CONNECTION
② COOLANT ACCESSORY SUPPLY CONNECTION	⑪ COOLANT LEVEL SWITCH PORT	⑳ COOLANT RETURN TEMP. PORT, GEAR OIL COOLER- N/A	㉑ SEA WATER INLET CONNECTION
③ COOLANT BLOCK HEATER PORT	⑫ COOLANT OUTLET CONNECTION- N/A	㉑ COOLANT VENT FITTING PORT	⑳ SEA WATER OUTLET CONNECTION
④ COOLANT BLOCK PRESSURE PORT	⑬ COOLANT OUTLET PRESSURE PORT	㉒ EXPANSION TANK MAKE-UP CONNECTION	㉑ SEA WATER OUTLET TEMPERATURE
⑤ COOLANT DRAIN, AFTERCOOLER	⑭ COOLANT OUTLET TEMPERATURE PORT	㉓ LTA COOLANT OUTLET CONNECTION	㉒ SEA WATER PUMP INLET PRESSURE PORT
⑥ COOLANT DRAIN, CYLINDER BLOCK	⑮ COOLANT OUTLET CONNECTION, GEAR OIL COOLER- N/A	㉔ LTA COOLANT OUTLET PRESSURE PORT	㉓ SEA WATER PUMP OUTLET PRESSURE PORT
⑦ COOLANT DRAIN, PUMP	⑯ COOLANT OUTLET PRES. PORT, GEAR OIL COOLER- N/A	㉕ LTA COOLANT OUTLET TEMPERATURE PORT	㉔ ZINC ANODE
⑧ COOLANT INLET CONNECTION- N/A	⑰ COOLANT OUTLET TEMP. PORT, GEAR OIL COOLER- N/A	㉖ LTA COOLANT RETURN CONNECTION INLET	
⑨ COOLANT INLET PRESSURE PORT	⑱ COOLANT RETURN CONNECTION, GEAR OIL COOLER- N/A	㉗ LTA COOLANT RETURN PRESSURE PORT INLET	

COOLING SYSTEM

Product Graphics File
NO ORIGINAL DRAWING EXISTS FOR THIS ITEM. THE ENGINEERING GRAPHICS DATA FOR THIS ITEM RESIDES IN THE PRODUCT GRAPHICS FILE AND IS CONTROLLED BY THE AGENCY DESIGNATED AS HAVING ITEM CONTROL.

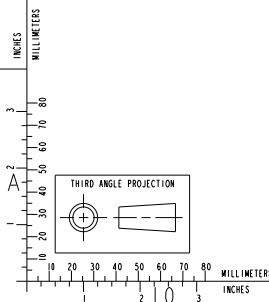
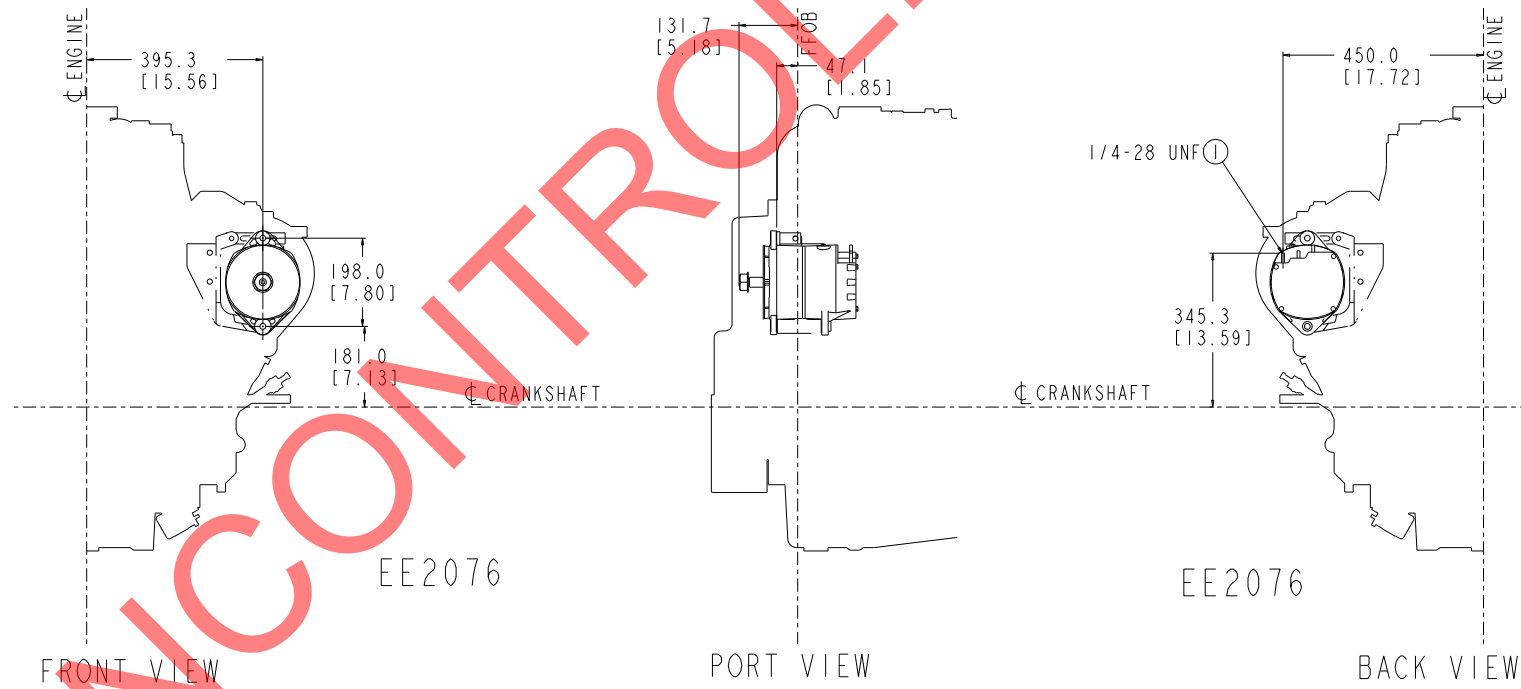
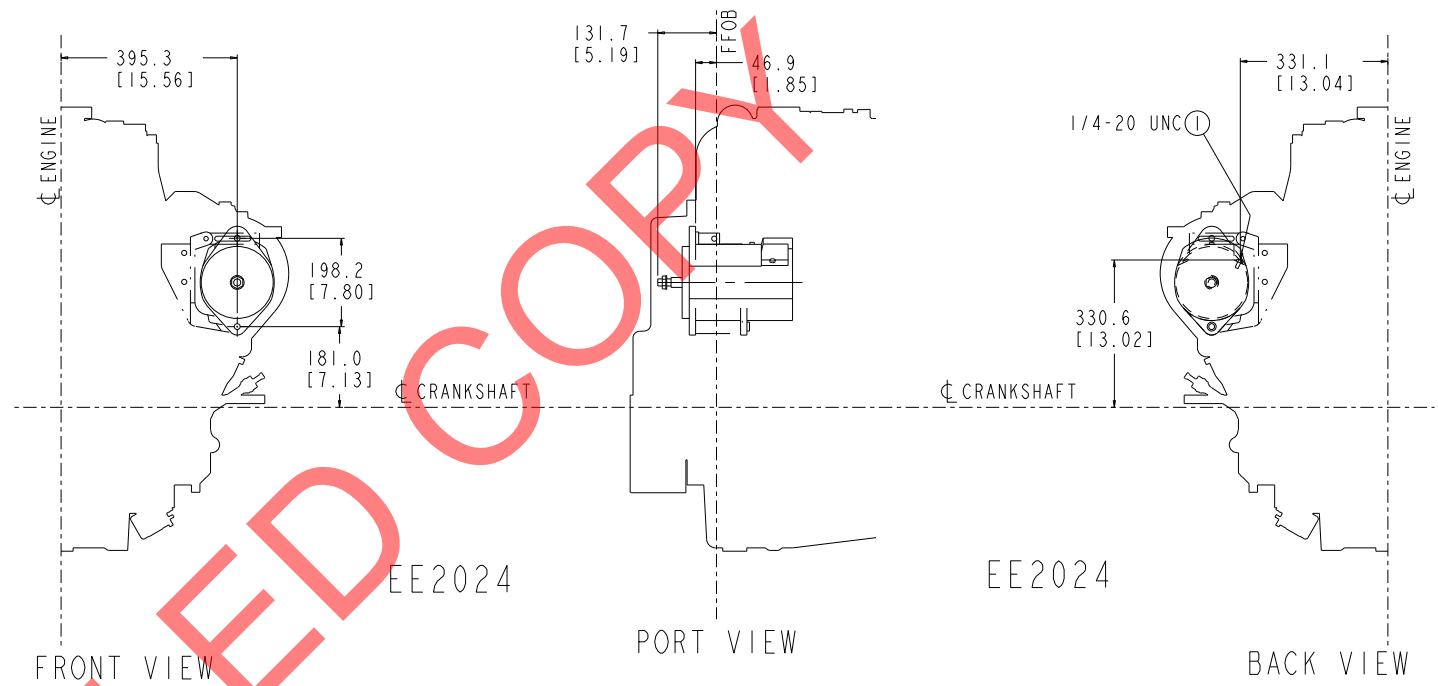
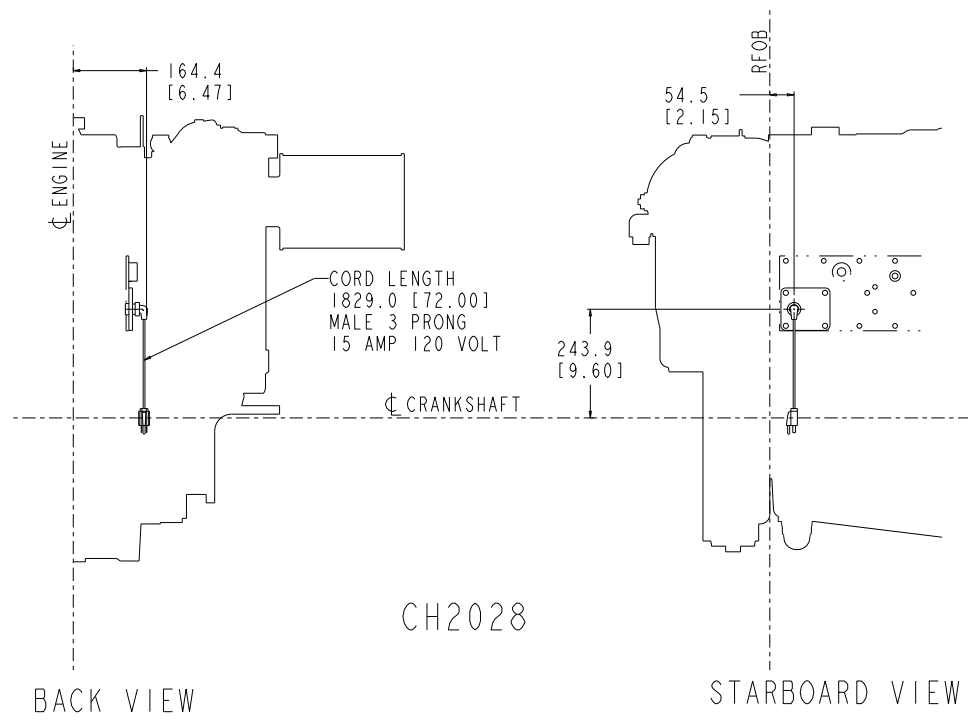
LAST SECTION LETTER USED:		REF. DRAWING STANDARDS:	CUMMINS INC.	
A		ANSI Y14.5M ISO 81101	ITEM NAME	
UNLESS OTHERWISE SPECIFIED DIMENSIONS ARE IN: MILLIMETERS () ARE IN: INCHES		OSM11 SUBSYSTEM		
DWN UNCHECKED		IDENTIFIER		
APPD UNCHECKED		INSTALLATION DIAGRAM		
APPD UNCHECKED		SIZE CODE IDENT. NO. ITEM NUMBER		
		J 3170646		
		SCALE: 2X ITEM CONTROL: MCS SHEET 10 OF 23		

DO NOT SCALE THIS DRAWING
THIS DRAWING/DATA FILE (AND THE INFORMATION SHOWN THEREON) IS CONFIDENTIAL AND PROPRIETARY AND SHALL NOT BE USED, DISCLOSED TO OTHERS, OR REPRODUCED BY ANY MEANS FOR ANY PURPOSE IN HARD COPY FORM OR IN MACHINE READABLE FILES, WITHOUT WRITTEN CONSENT OF CUMMINS INC., MARKETING CAD SERVICES DEPARTMENT.



ITEM NUMBER
3170646

REVISIONS			
ZONE	REV	DESCRIPTION	APP'D
04	OSM11	SUBSYSTEM	06-18-18



- ① ALTERNATOR POSITIVE B+ TERMINAL
- ② WIRE HARNESS INTERCONNECT

ELECTRICAL SYSTEM

DO NOT SCALE THIS DRAWING

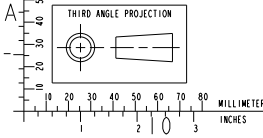
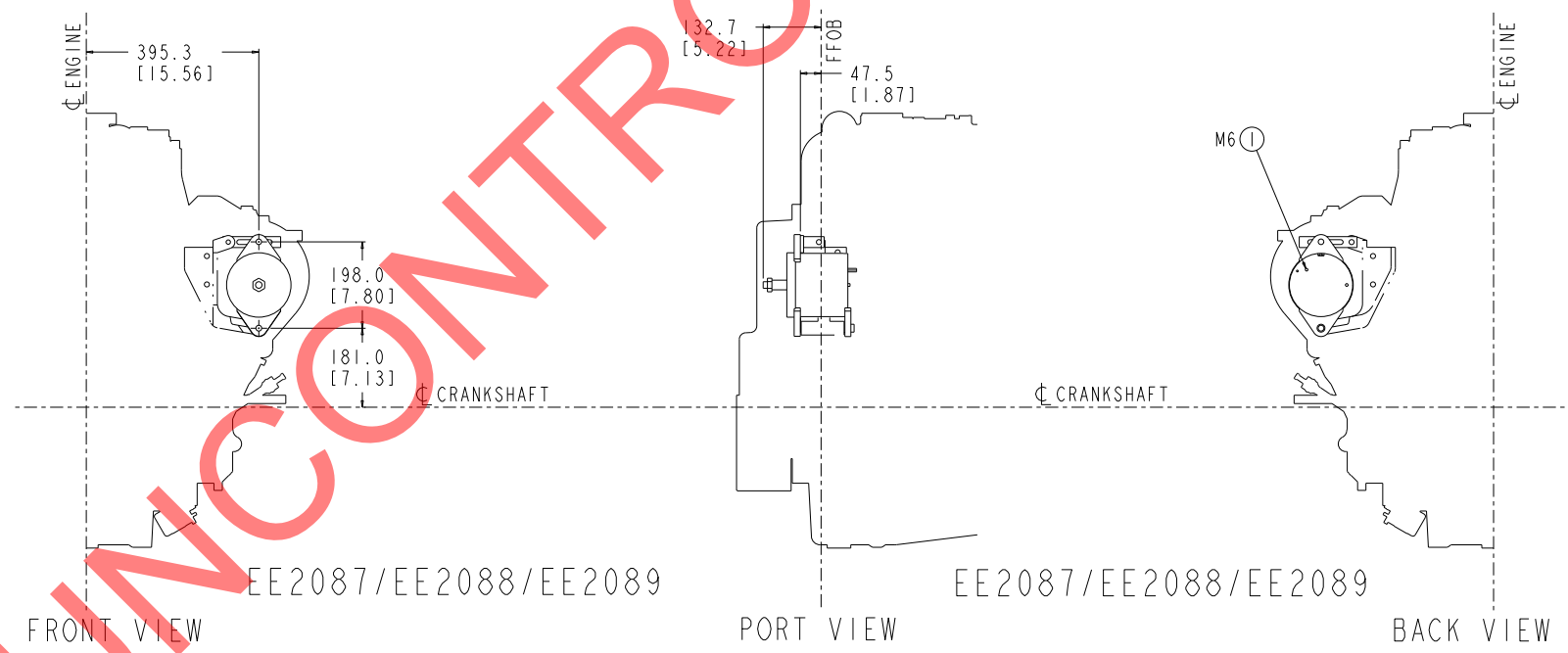
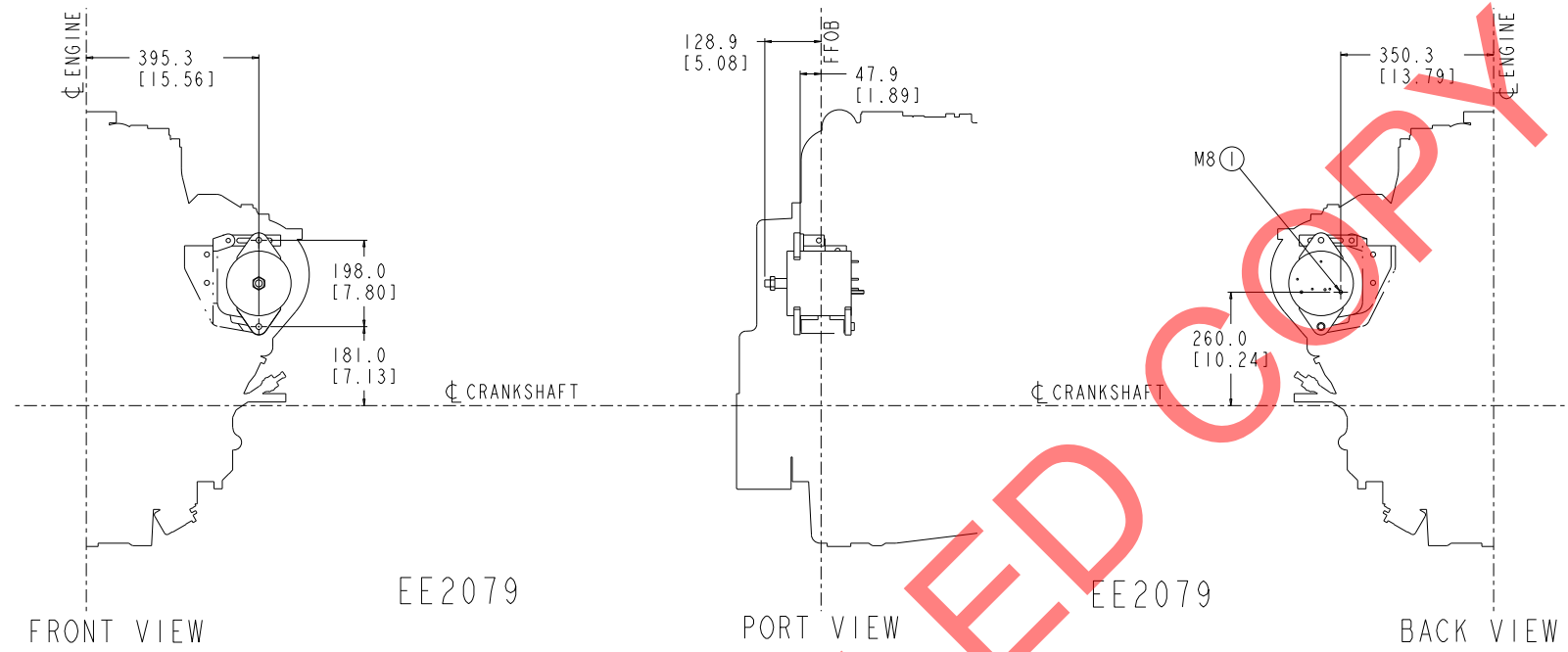
THIS DRAWING/DATA FILE (AND THE INFORMATION SHOWN THEREON) IS CONFIDENTIAL AND PROPRIETARY AND SHALL NOT BE USED, DISCLOSED TO OTHERS, OR REPRODUCED BY ANY MEANS FOR ANY PURPOSE IN HARD COPY FORM OR IN MACHINE READABLE FILES, WITHOUT WRITTEN CONSENT OF CUMMINS INC., MARKETING CAD SERVICES DEPARTMENT.

PRODUCT GRAPHICS FILE
NO ORIGINAL DRAWING EXISTS FOR THIS ITEM. THE ENGINEERING GRAPHICS DATA FOR THIS ITEM RESIDES IN THE PRODUCT GRAPHICS FILE AND IS CONTROLLED BY THE AGENCY DESIGNATED AS HAVING ITEM CONTROL.

LAST SECTION LETTER USED: A	REF. DRAWING STANDARDS: ANSI Y14.5M ISO 81101	CUMMINS INC.	
UNLESS OTHERWISE SPECIFIED DIMENSIONS ARE IN: MILLIMETERS () ARE IN: INCHES	ITEM NAME QSM11 SUBSYSTEM	IDENTIFIER INSTALLATION DIAGRAM	
DWN: TMO/TGANG CHD: UNCHECKED APPD:	SIZE CODE (IDENT. NO.) J	ITEM NUMBER 3170646	SCALE: 2x ITEM CONTROL: MCS SHEET 11 OF 23

ITEM NUMBER
3170646

REVISIONS			
ZONE	REV	DESCRIPTION	APP'D
04	OSM11	SUBSYSTEM	



- ① ALTERNATOR POSITIVE B+ TERMINAL
- ② WIRE HARNESS INTERCONNECT

DO NOT SCALE THIS DRAWING

THIS DRAWING/DATA FILE (AND THE INFORMATION SHOWN THEREON) IS CONFIDENTIAL AND PROPRIETARY AND SHALL NOT BE USED, DISCLOSED TO OTHERS, OR REPRODUCED BY ANY MEANS FOR ANY PURPOSE IN HARD COPY FORM OR IN MACHINE READABLE FILES, WITHOUT WRITTEN CONSENT OF CUMMINS INC., MARKETING CAD SERVICES DEPARTMENT.

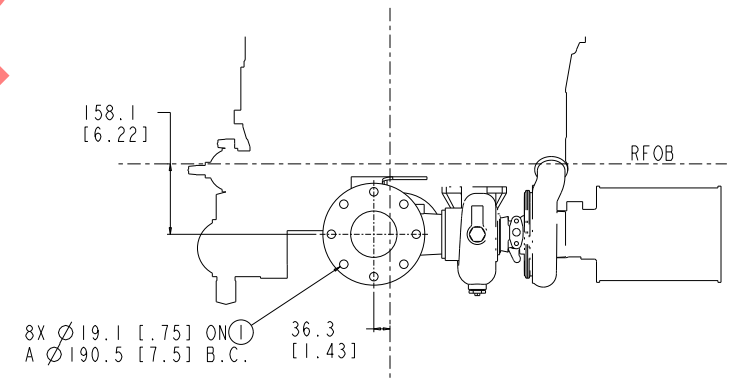
PRODUCT GRAPHICS FILE
NO ORIGINAL DRAWING EXISTS FOR THIS ITEM. THE ENGINEERING GRAPHICS DATA FOR THIS ITEM RESIDES IN THE PRODUCT GRAPHICS FILE AND IS CONTROLLED BY THE AGENCY DESIGNATED AS HAVING ITEM CONTROL.

LAST SECTION LETTER USED: A	REF. DRAWING STANDARDS: ANSI Y14.5M ISO 81101	CUMMINS INC.	
UNLESS OTHERWISE SPECIFIED DIMENSIONS ARE IN: MILLIMETERS () ARE IN: INCHES		ITEM NAME QSM11 SUBSYSTEM	IDENTIFIER
DWN CHD APPD	TWOTGANG UNCHECKED	SIZE CODE IDENT. NO. J	ITEM NUMBER 3170646
		SCALE: 2x	ITEM CONTROL: MCS SHEET 12 OF 23

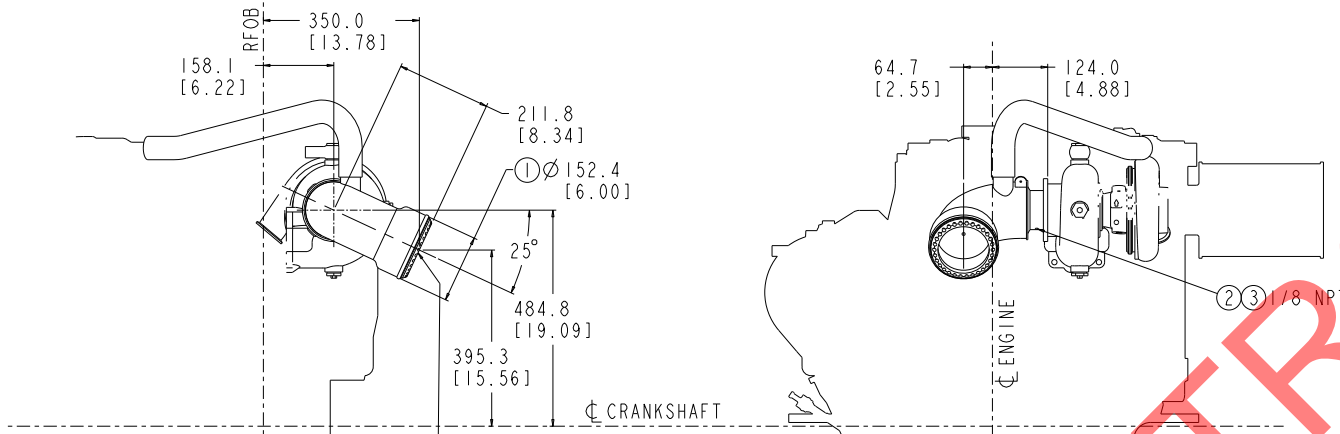
ELECTRICAL SYSTEM

ITEM NUMBER
3170646

REVISIONS			
ZONE	REV	DESCRIPTION	APP'D
04		OSM11 SUBSYSTEM	



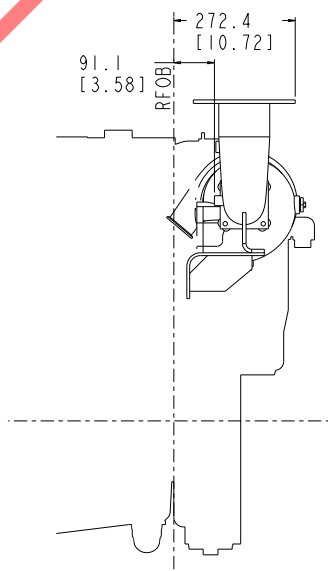
TOP VIEW



PORT VIEW

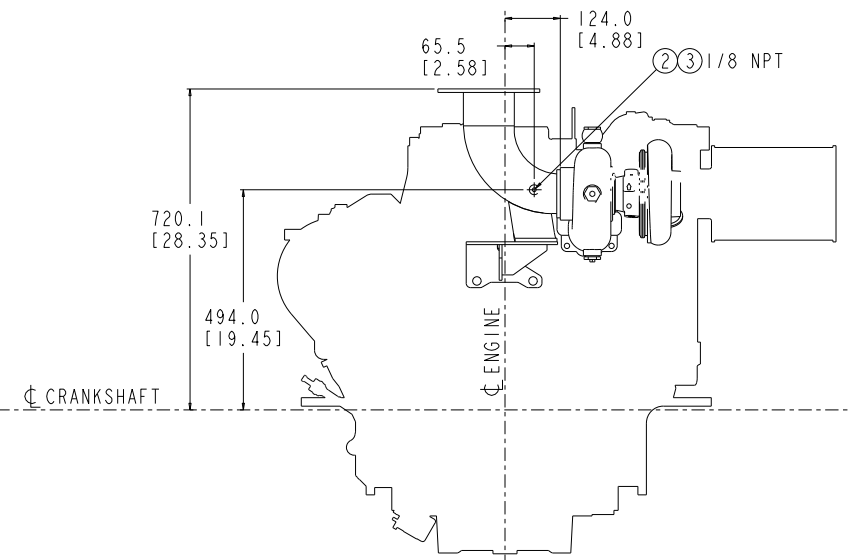
BACK VIEW

XS2068



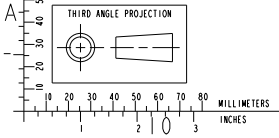
PORT VIEW

XS2078



BACK VIEW

UNCONTROLLED COPY



- ① EXHAUST OUTLET CONNECTION
- ② EXHAUST PRESSURE PORT
- ③ EXHAUST TEMPERATURE PORT

DO NOT SCALE THIS DRAWING

THIS DRAWING/DATA FILE (AND THE INFORMATION SHOWN THEREON) IS CONFIDENTIAL AND PROPRIETARY AND SHALL NOT BE USED, DISCLOSED TO OTHERS, OR REPRODUCED BY ANY MEANS FOR ANY PURPOSE IN HARD COPY FORM OR IN MACHINE READABLE FILES, WITHOUT WRITTEN CONSENT OF CUMMINS INC., MARKETING CAD SERVICES DEPARTMENT.

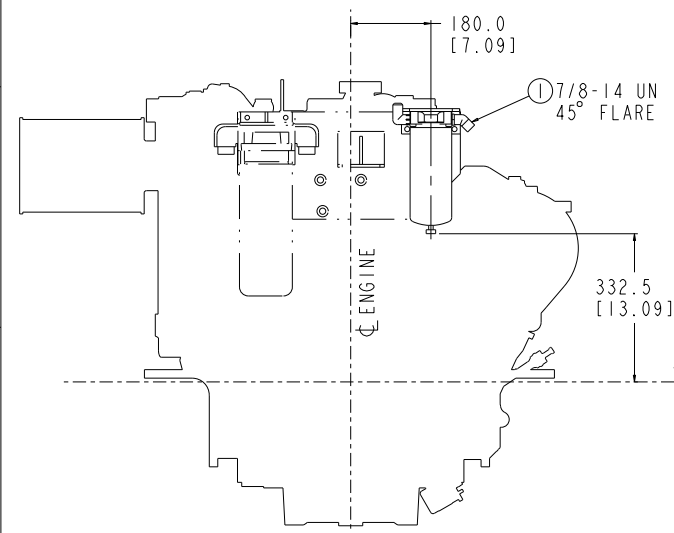
PRODUCT GRAPHICS FILE
NO ORIGINAL DRAWING EXISTS FOR THIS ITEM. THE ENGINEERING GRAPHICS DATA FOR THIS ITEM RESIDES IN THE PRODUCT GRAPHICS FILE AND IS CONTROLLED BY THE AGENCY DESIGNATED AS HAVING ITEM CONTROL.

LAST SECTION LETTER USED: A	REF. DRAWING STANDARDS: ANSI Y14.5M ISO 81101	CUMMINS INC.	
UNLESS OTHERWISE SPECIFIED DIMENSIONS ARE IN: MILLIMETERS () ARE IN: INCHES		ITEM NAME QSM11 SUBSYSTEM	IDENTIFIER
DWN: TMO/STANG	APPD: UNCHECKED	SIZE CODE (IDENT. NO.)	ITEM NUMBER
APPD:		J	3170646
		SCALE: 2x	ITEM CONTROL: MCS SHEET 13 OF 23

EXHAUST SYSTEM

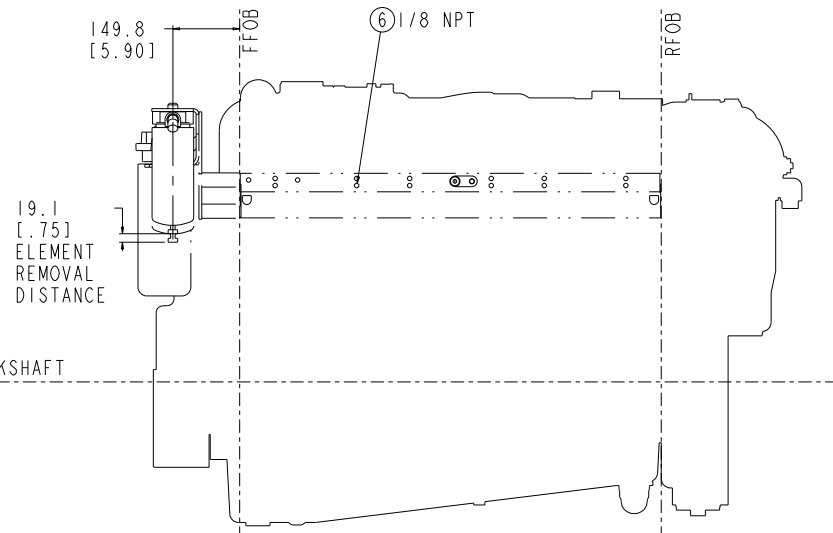
ITEM NUMBER
3170646

REVISIONS			
ZONE	REV	DESCRIPTION	APP'D
04		OSM11 SUBSYSTEM	

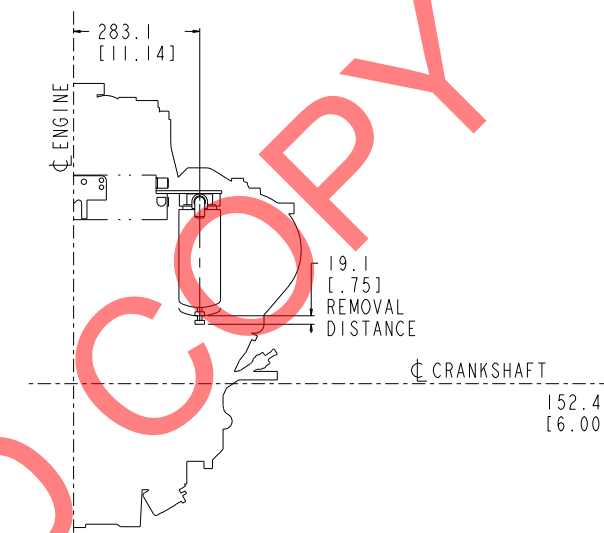


FRONT VIEW

FF2205

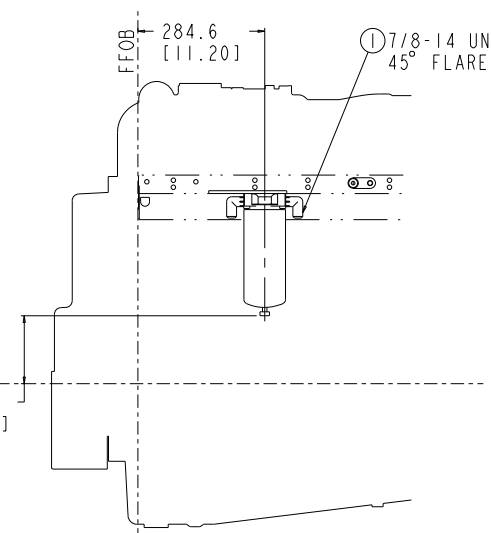


PORT VIEW

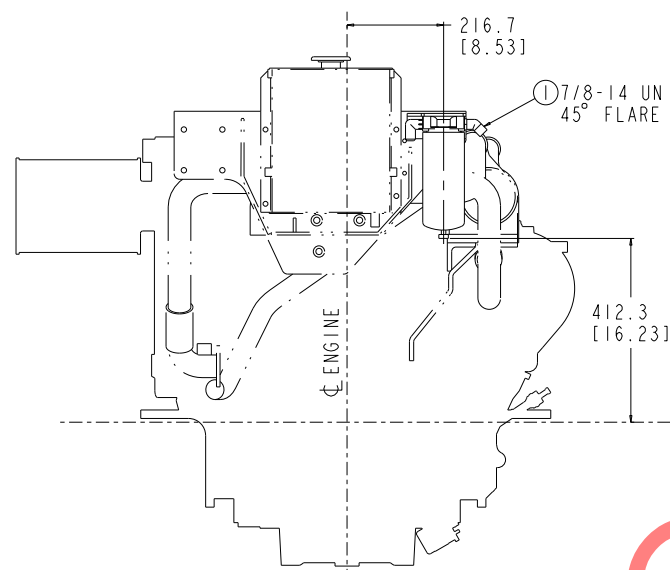


FRONT VIEW

FF2233

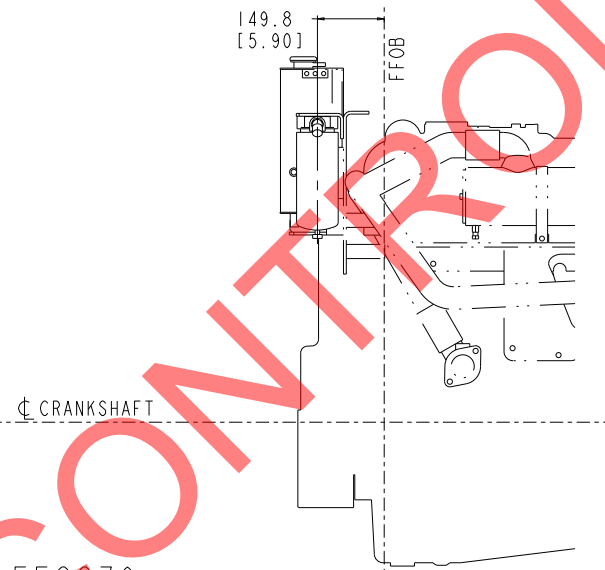


PORT VIEW

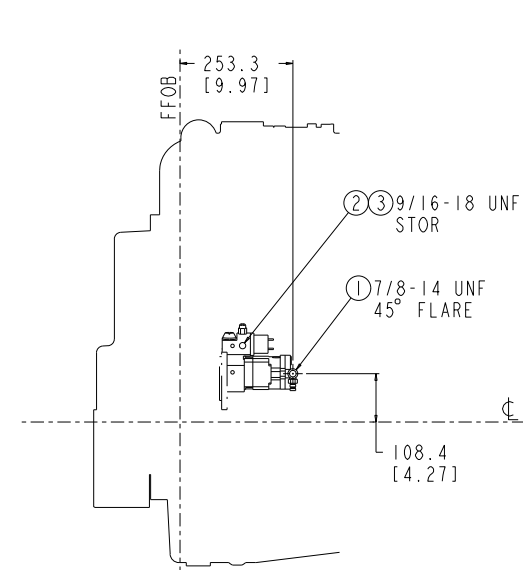


FRONT VIEW

FF2276

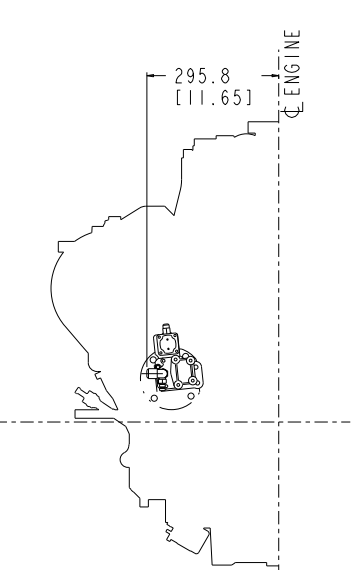


PORT VIEW



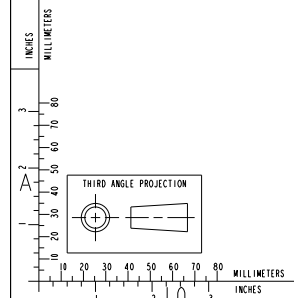
PORT VIEW

FF2773



BACK VIEW

UNCONTROLLED COPY



- | | |
|--------------------------------------|--------------------------------|
| ① FUEL INLET CONNECTION | ⑤ FUEL RETURN CONNECTION |
| ② FUEL INLET PRESSURE PORT | ⑥ FUEL RETURN PRESSURE PORT |
| ③ FUEL INLET TEMPERATURE PORT | ⑦ FUEL RETURN TEMPERATURE- N/A |
| ④ FUEL PUMP OUT (RAIL) PRESSURE PORT | |

FUEL SYSTEM

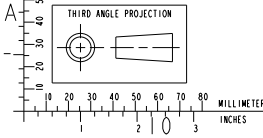
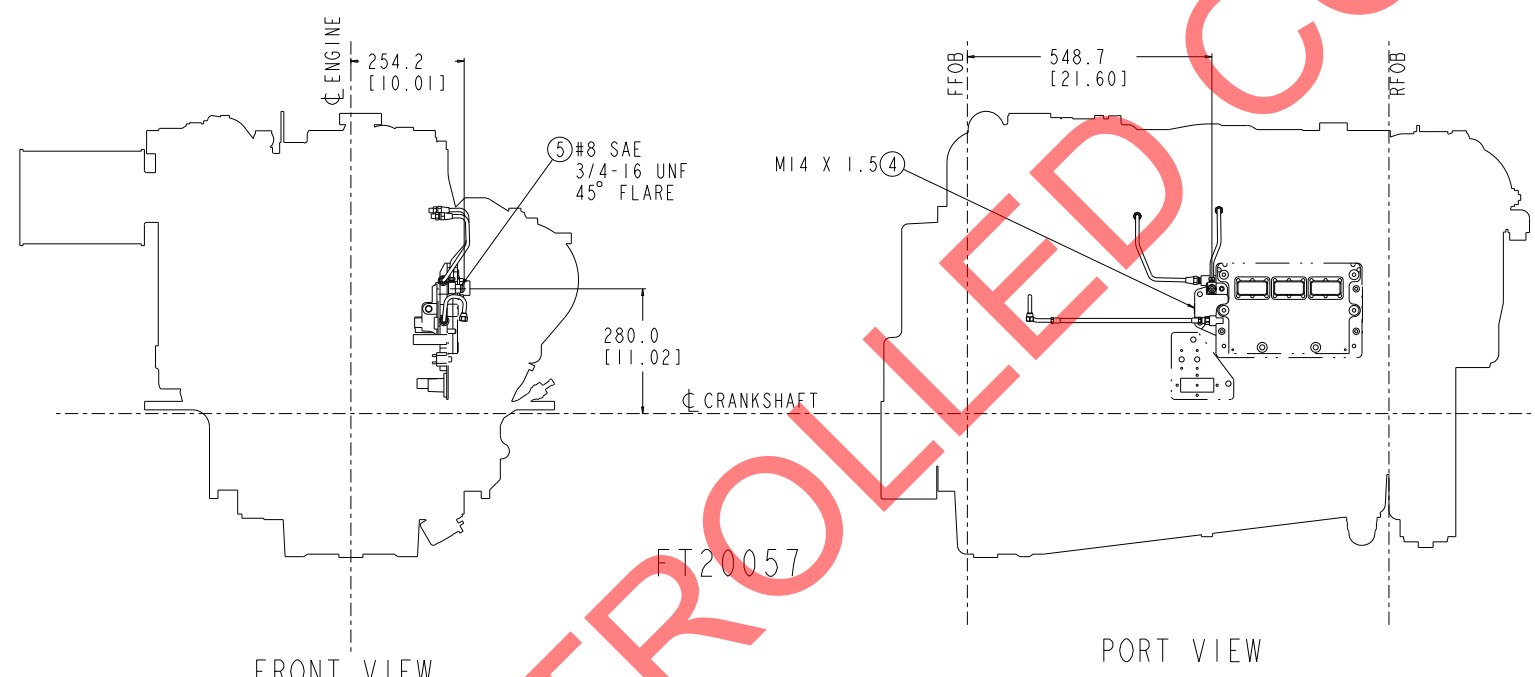
DO NOT SCALE THIS DRAWING
THIS DRAWING/DATA FILE (AND THE INFORMATION SHOWN THEREON) IS CONFIDENTIAL AND PROPRIETARY AND SHALL NOT BE USED, DISCLOSED TO OTHERS, OR REPRODUCED BY ANY MEANS FOR ANY PURPOSE IN HARD COPY FORM OR IN MACHINE READABLE FILES, WITHOUT WRITTEN CONSENT OF CUMMINS INC., MARKETING CAD SERVICES DEPARTMENT.

PRODUCT GRAPHICS FILE
NO ORIGINAL DRAWING EXISTS FOR THIS ITEM. THE ENGINEERING GRAPHICS DATA FOR THIS ITEM RESIDES IN THE PRODUCT GRAPHICS FILE AND IS CONTROLLED BY THE AGENCY DESIGNATED AS HAVING ITEM CONTROL.

LAST SECTION LETTER USED: A	REF. DRAWING STANDARDS: ANSI Y14.5M ISO 81101	CUMMINS INC.	
UNLESS OTHERWISE SPECIFIED DIMENSIONS ARE IN: MILLIMETERS () ARE IN: INCHES		ITEM NAME OSM11 SUBSYSTEM	IDENTIFIER
DWN: TMO/TGANG	CHK: UNCHECKED	SIZE CODE (IDENT. NO.)	ITEM NUMBER
APPD: UNCHECKED	SCALE: 2X	ITEM CONTROL: MCS	3170646
		SHEET 14 OF 23	

ITEM NUMBER
3170646

REVISIONS			
ZONE	REV	DESCRIPTION	APP'D
04		OSMII SUBSYSTEM	



- | | |
|--------------------------------------|---------------------------------|
| ① FUEL INLET CONNECTION | ⑤ FUEL RETURN CONNECTION |
| ② FUEL INLET PRESSURE PORT | ⑥ FUEL RETURN PRESSURE PORT |
| ③ FUEL INLET TEMPERATURE PORT | ⑦ FUEL RETURN TEMPERATURE - N/A |
| ④ FUEL PUMP OUT (RAIL) PRESSURE PORT | |

PRODUCT GRAPHICS FILE
NO ORIGINAL DRAWING EXISTS FOR THIS ITEM. THE ENGINEERING GRAPHICS DATA FOR THIS ITEM RESIDES IN THE PRODUCT GRAPHICS FILE AND IS CONTROLLED BY THE AGENCY DESIGNATED AS HAVING ITEM CONTROL.

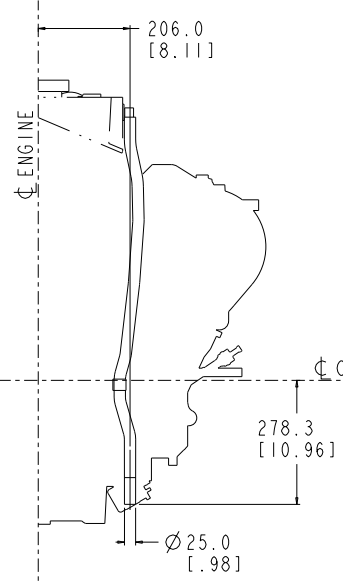
LAST SECTION LETTER USED: A	REF. DRAWING STANDARDS: ANSI Y14.5M ISO 81101	CUMMINS INC.	
UNLESS OTHERWISE SPECIFIED DIMENSIONS ARE IN: MILLIMETERS () ARE IN: INCHES		ITEM NAME QSMII SUBSYSTEM	IDENTIFIER
DWN: TMO/TGANG	APPD: UNCHECKED	SCALE: 2x	ITEM NUMBER 3170646
DO NOT SCALE THIS DRAWING		ITEM CONTROL: MCS	

THIS DRAWING/DATA FILE (AND THE INFORMATION SHOWN THEREON) IS CONFIDENTIAL AND PROPRIETARY AND SHALL NOT BE USED, DISCLOSED TO OTHERS, OR REPRODUCED BY ANY MEANS FOR ANY PURPOSE IN HARD COPY FORM OR IN MACHINE READABLE FILES, WITHOUT WRITTEN CONSENT OF CUMMINS INC., MARKETING CAD SERVICES DEPARTMENT.

FUEL SYSTEM

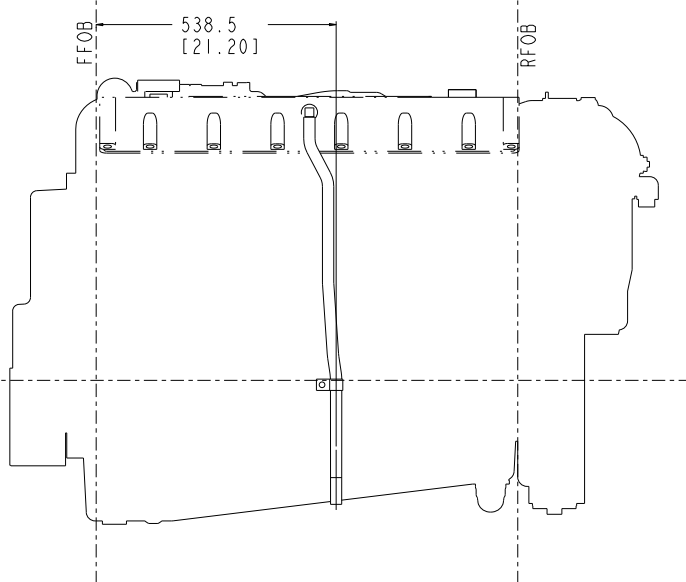
ITEM NUMBER
3170646

REVISIONS		OWN	APP'D
ZONE REV	DESCRIPTION		
04	QSM11 SUBSYSTEM		

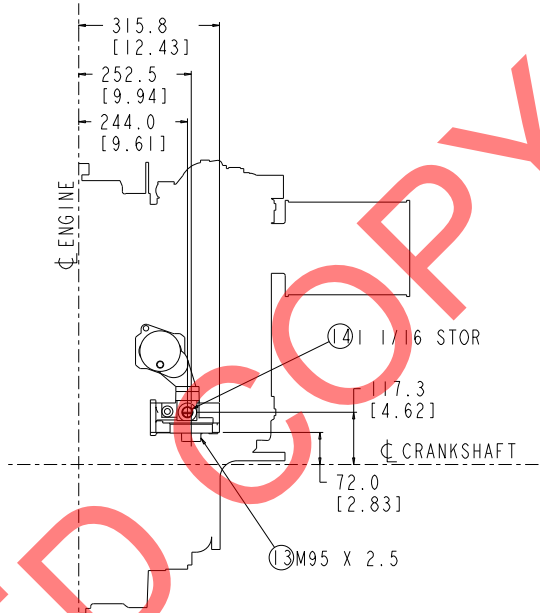


FRONT VIEW

BR2722

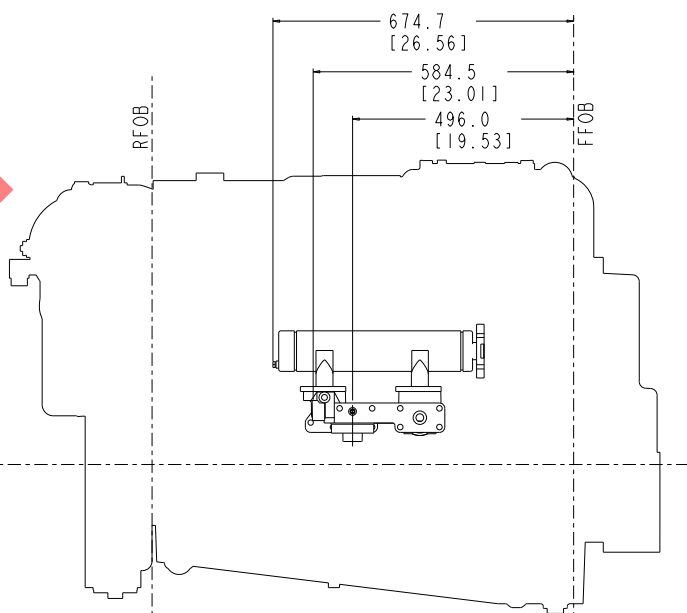


PORT VIEW

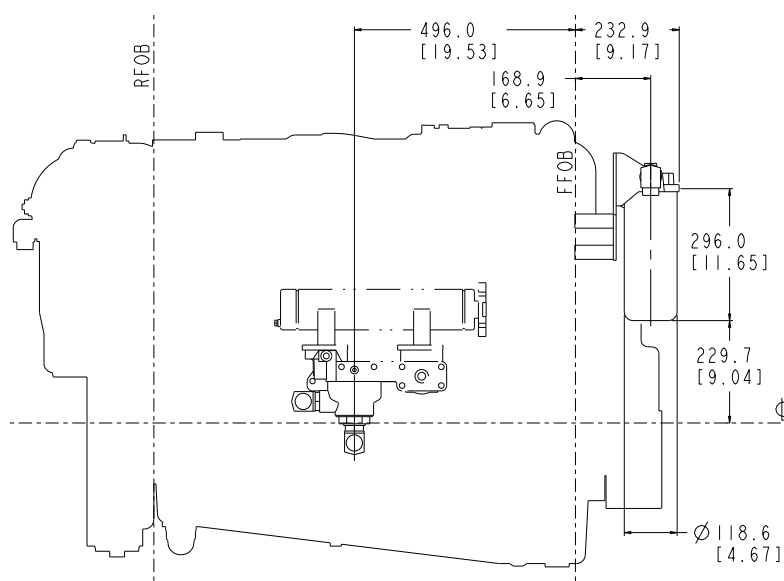


BACK VIEW

LC2739

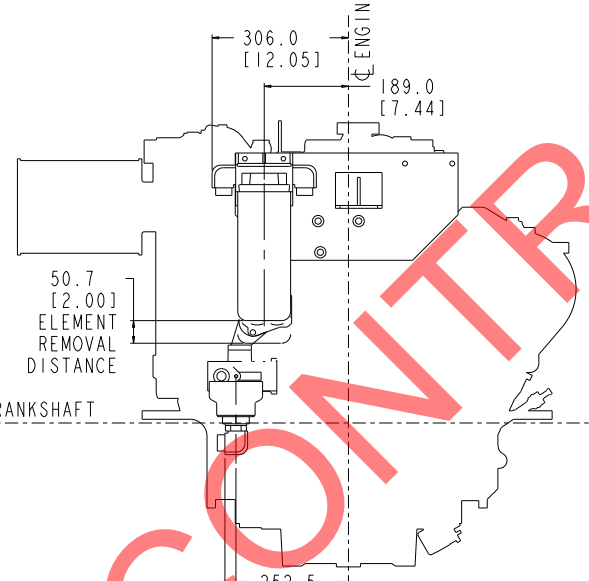


STARBOARD VIEW

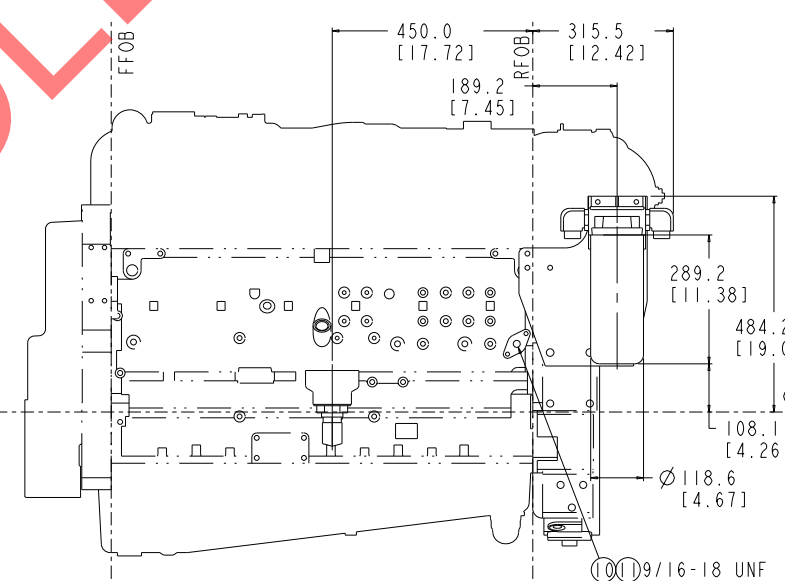


STARBOARD VIEW

LF2058

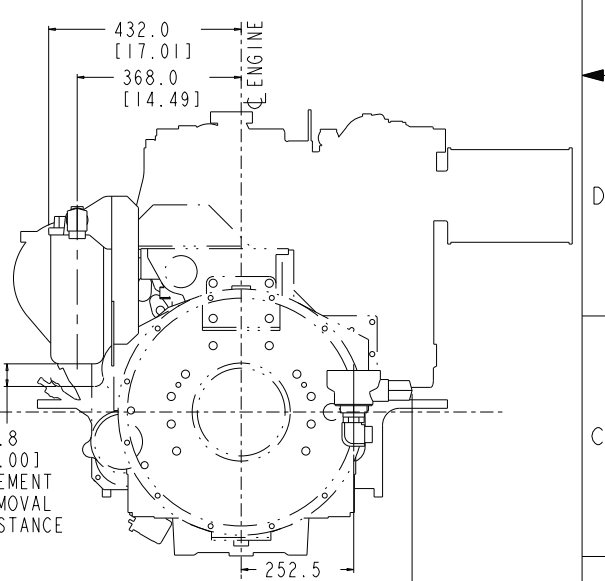


FRONT VIEW

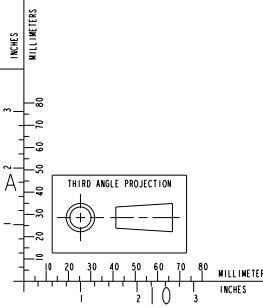


PORT VIEW

LF2060



BACK VIEW



- ① CENTINEL VALVE OIL SUPPLY CONNECTION- N/A
- ② CRANKCASE PRESSURE PORT
- ③ GEAR OIL INLET TO COOLER CONNECTION
- ④ GEAR OIL INLET TO COOLER PRESSURE PORT- N/A
- ⑤ GEAR OIL INLET TO COOLER TEMPERATURE PORT- N/A

- ⑥ GEAR OIL OUTLET FROM COOLER CONNECTION
- ⑦ GEAR OIL OUTLET FROM COOLER PRESSURE PORT- N/A
- ⑧ GEAR OIL OUTLET FROM COOLER TEMPERATURE PORT- N/A
- ⑨ OIL DRAIN BOSS
- ⑩ OIL GALLERY TEMPERATURE PORT

- ⑪ OIL PRESSURE GAUGE PORT, AFTER FILTER
- ⑫ OIL SUMP TEMPERATURE PORT
- ⑬ REMOTE OIL FILTER RETURN CONNECTION
- ⑭ REMOTE OIL FILTER SUPPLY CONNECTION

LUBE OIL SYSTEM

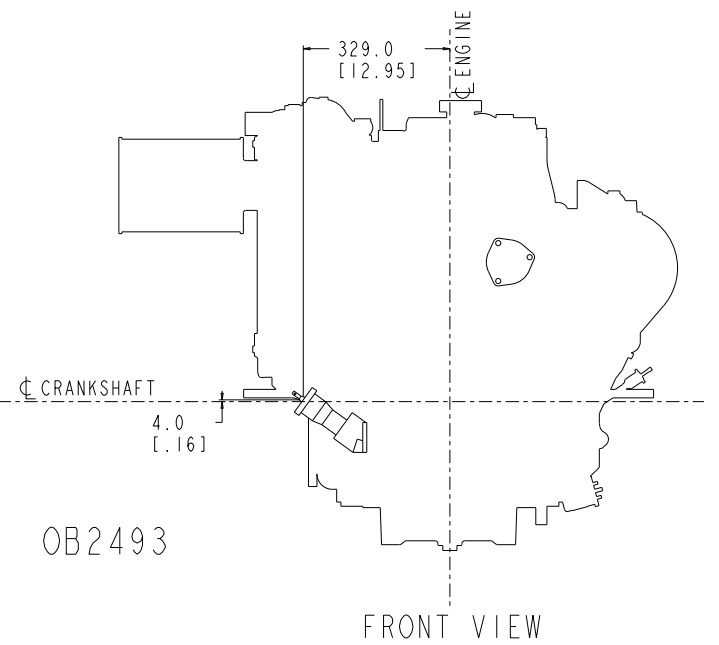
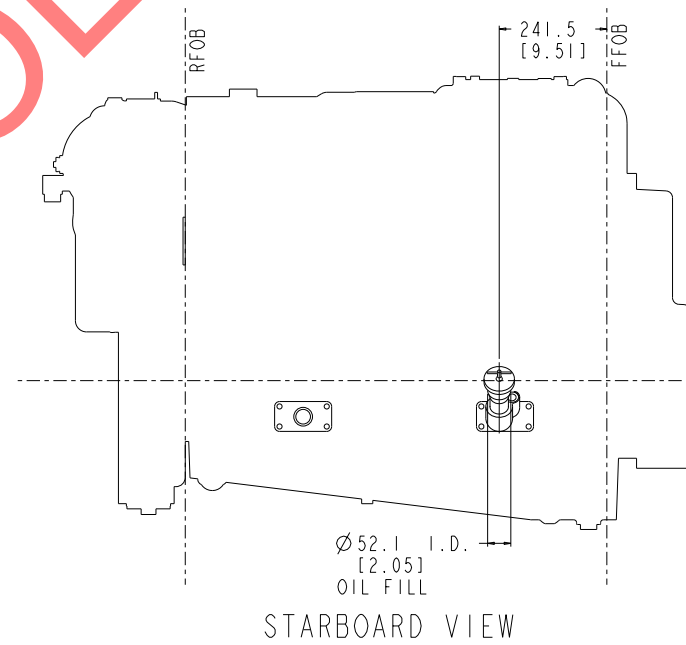
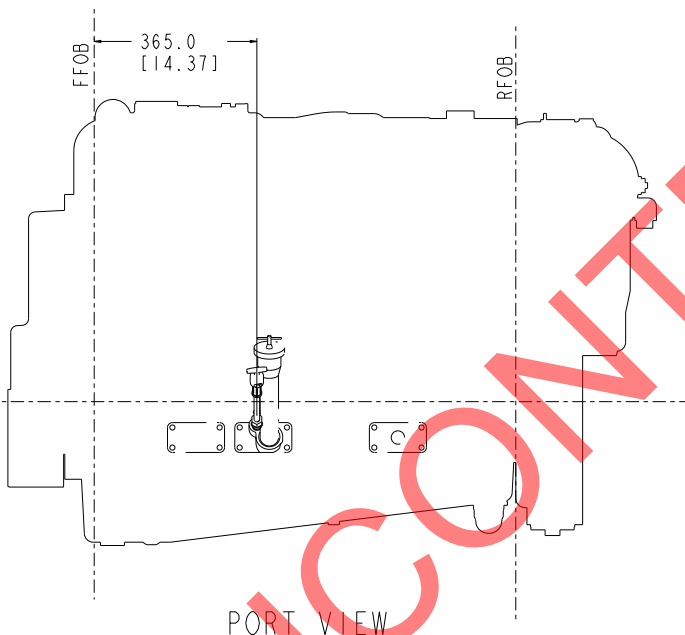
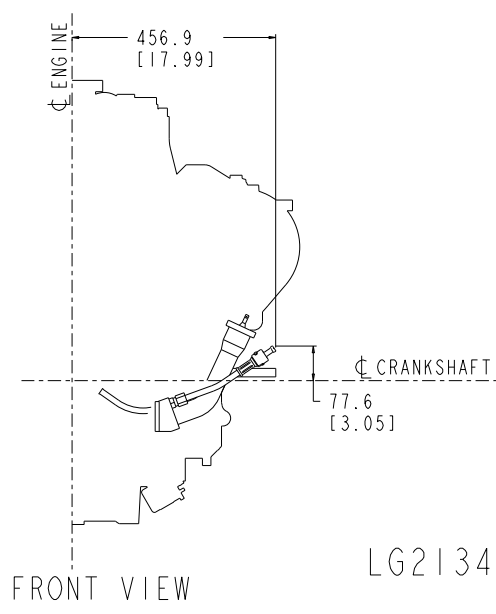
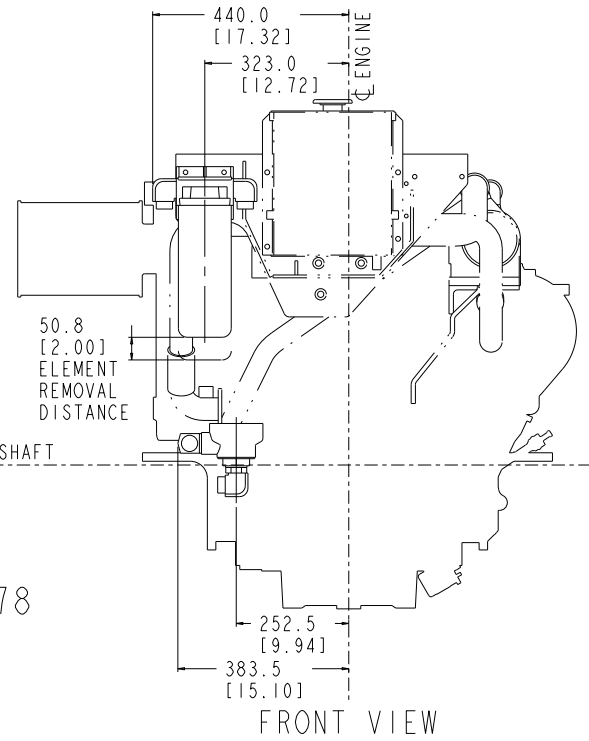
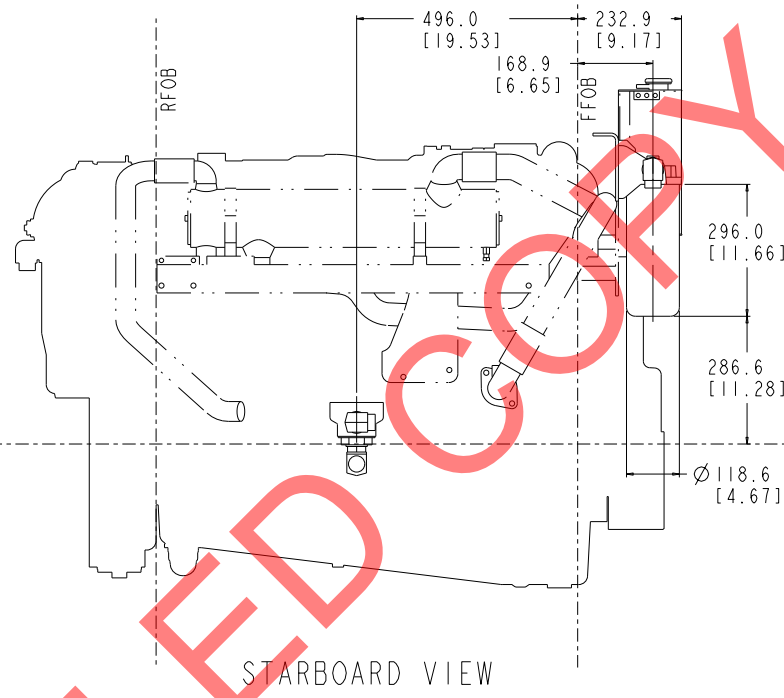
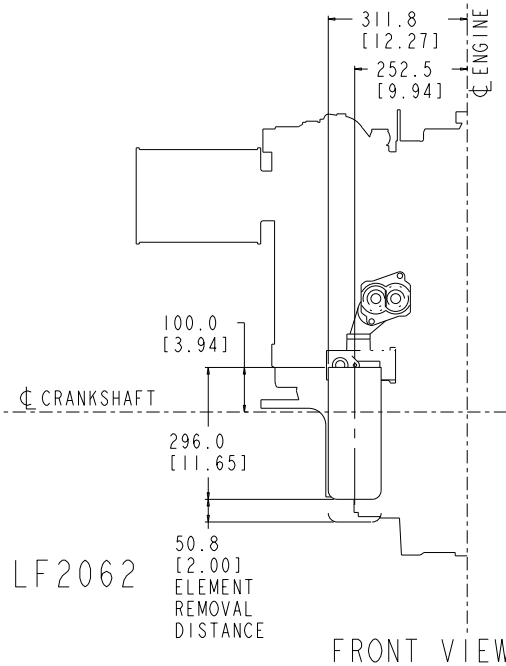
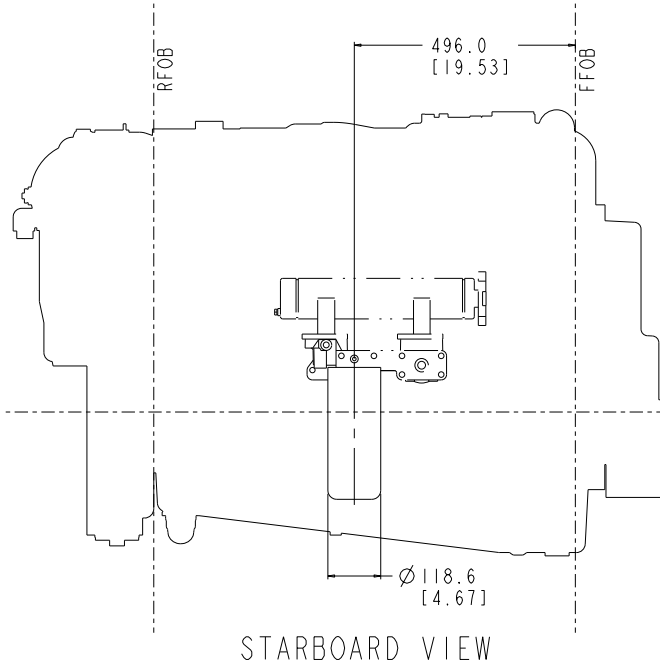
DO NOT SCALE THIS DRAWING
THIS DRAWING/DATA FILE (AND THE INFORMATION SHOWN THEREON) IS CONFIDENTIAL AND PROPRIETARY AND SHALL NOT BE USED, DISCLOSED TO OTHERS, OR REPRODUCED BY ANY MEANS FOR ANY PURPOSE IN HARD COPY FORM OR IN MACHINE READABLE FILES, WITHOUT WRITTEN CONSENT OF CUMMINS INC., MARKETING CAD SERVICES DEPARTMENT.

Product Graphics File
NO ORIGINAL DRAWING EXISTS FOR THIS ITEM. THE ENGINEERING GRAPHICS DATA FOR THIS ITEM RESIDES IN THE PRODUCT GRAPHICS FILE AND IS CONTROLLED BY THE AGENCY DESIGNATED AS HAVING ITEM CONTROL.

LAST SECTION LETTER USED: A		REF. DRAWING STANDARDS: ANSI Y14.5M ISO 81101	CUMMINS INC.	
UNLESS OTHERWISE SPECIFIED DIMENSIONS ARE IN: MILLIMETERS () ARE IN: INCHES		ITEM NAME QSM11 SUBSYSTEM	IDENTIFIER INSTALLATION DIAGRAM	
DWN	TMD/ANG	HW/24/44	SIZE CODE (CONT. NO.)	ITEM NUMBER 3170646
CHD	UNCHECKED		SCALE: 2X	ITEM CONTROL: MCS
APPD				SHEET 16 OF 23

ITEM NUMBER
3170646

REVISIONS			
ZONE	REV	DESCRIPTION	APP'D
04	QSM11	SUBSYSTEM	



UNCONTROLLED

- ① CENTINEL VALVE OIL SUPPLY CONNECTION- N/A
- ② CRANKCASE PRESSURE PORT
- ③ GEAR OIL INLET TO COOLER CONNECTION
- ④ GEAR OIL INLET TO COOLER PRESSURE PORT- N/A
- ⑤ GEAR OIL INLET TO COOLER TEMPERATURE PORT- N/A

- ⑥ GEAR OIL OUTLET FROM COOLER CONNECTION
- ⑦ GEAR OIL OUTLET FROM COOLER PRESSURE PORT- N/A
- ⑧ GEAR OIL OUTLET FROM COOLER TEMPERATURE PORT- N/A
- ⑨ OIL DRAIN BOSS
- ⑩ OIL GALLERY TEMPERATURE PORT

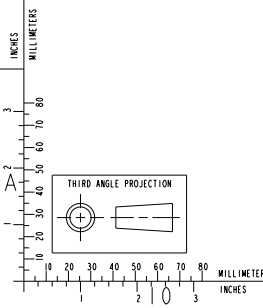
- ⑪ OIL PRESSURE GAUGE PORT, AFTER FILTER
- ⑫ OIL SUMP TEMPERATURE PORT
- ⑬ REMOTE OIL FILTER RETURN CONNECTION
- ⑭ REMOTE OIL FILTER SUPPLY CONNECTION

LUBE OIL SYSTEM

DO NOT SCALE THIS DRAWING
THIS DRAWING/DATA FILE (AND THE INFORMATION SHOWN THEREON) IS CONFIDENTIAL AND PROPRIETARY AND SHALL NOT BE USED, DISCLOSED TO OTHERS, OR REPRODUCED BY ANY MEANS FOR ANY PURPOSE, IN HARD COPY FORM OR IN MACHINE READABLE FILES, WITHOUT WRITTEN CONSENT OF CUMMINS INC., MARKETING CAD SERVICES DEPARTMENT.

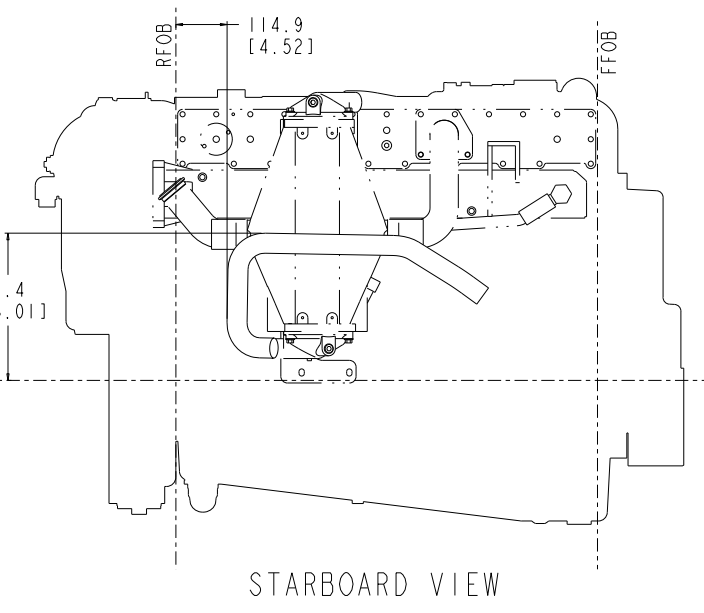
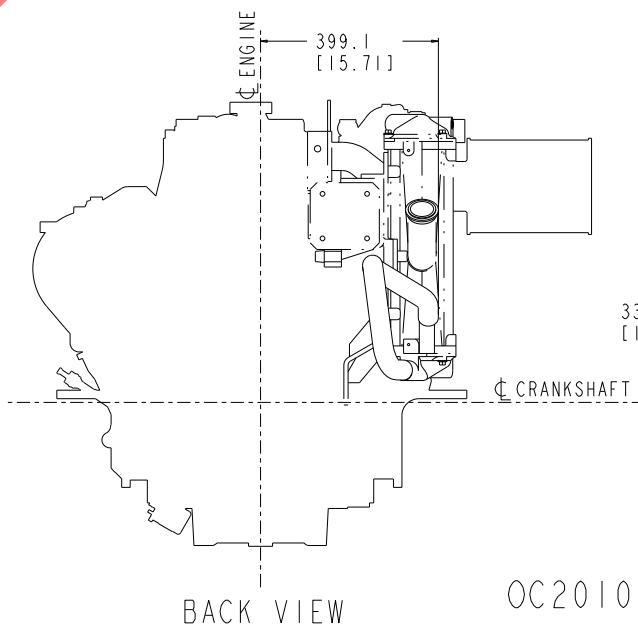
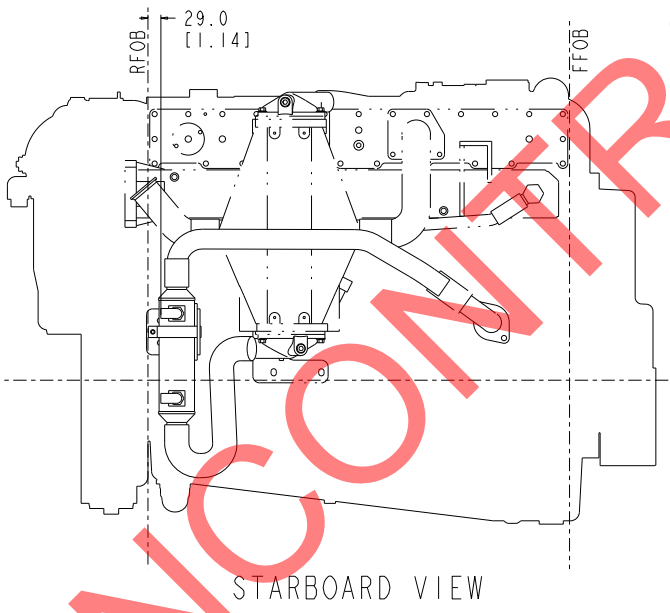
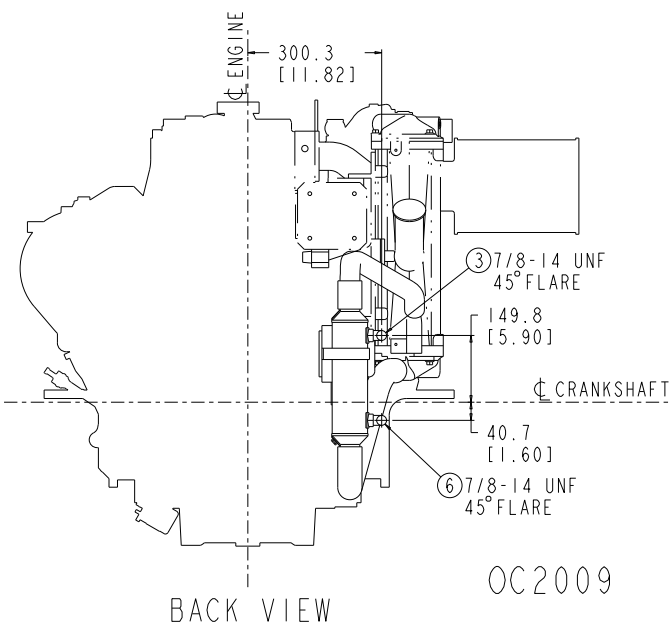
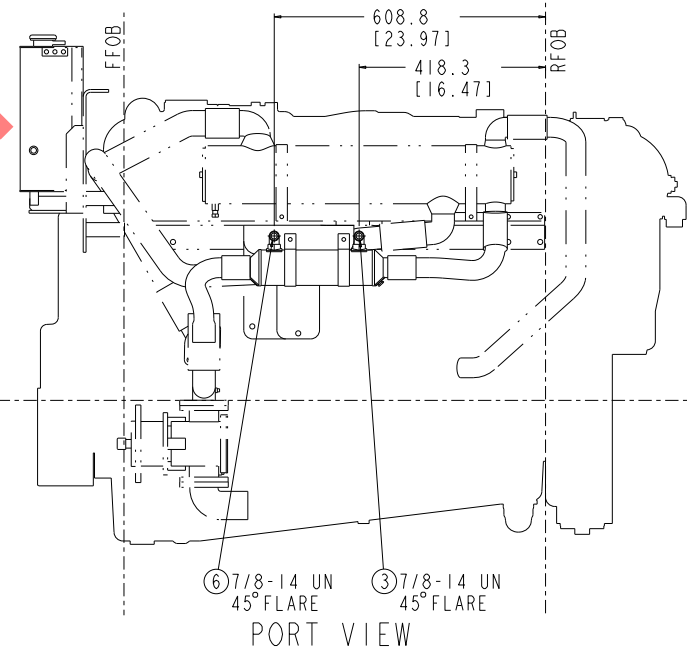
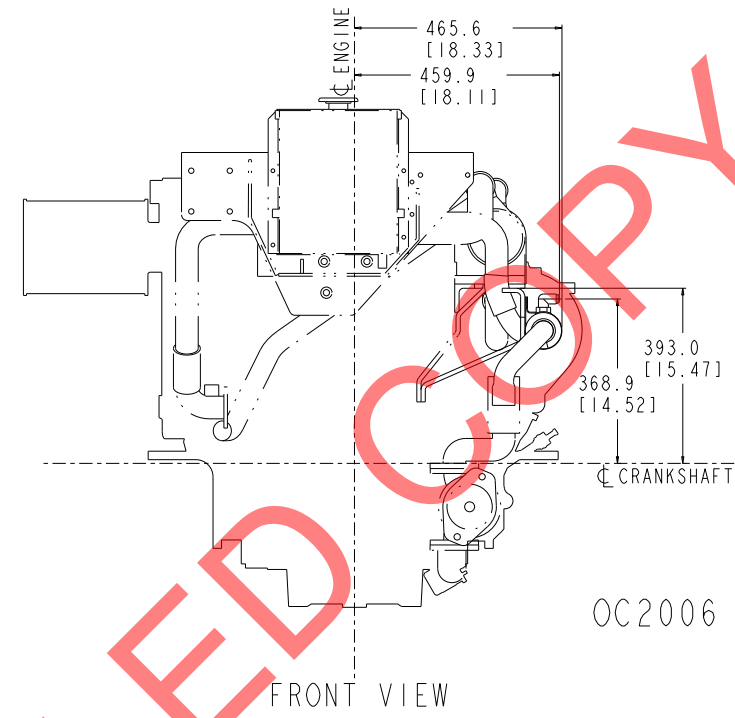
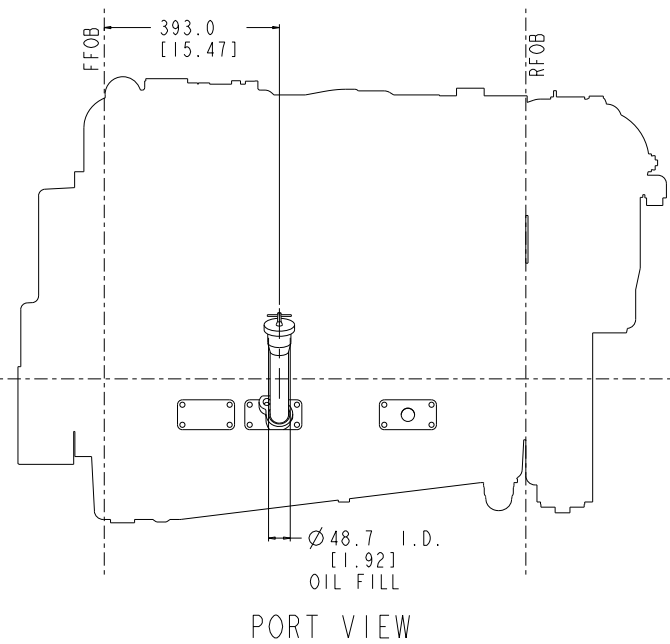
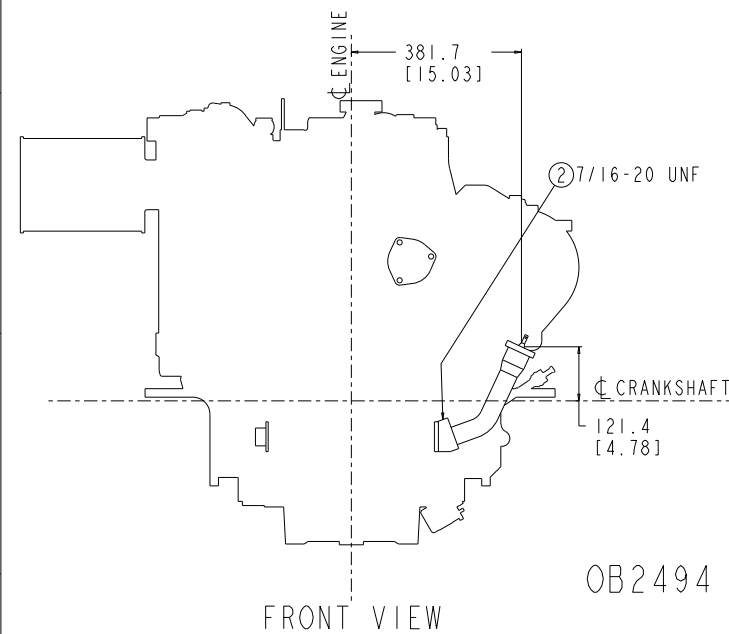
PRODUCT GRAPHICS FILE
NO ORIGINAL DRAWING EXISTS FOR THIS ITEM. THE ENGINEERING GRAPHICS DATA FOR THIS ITEM RESIDES IN THE PRODUCT GRAPHICS FILE AND IS CONTROLLED BY THE AGENCY DESIGNATED AS HAVING ITEM CONTROL.

LAST SECTION LETTER USED: A	REF. DRAWING STANDARDS: ANSI Y14.5M ISO 81101	CUMMINS INC.	
UNLESS OTHERWISE SPECIFIED DIMENSIONS ARE IN: MILLIMETERS 1.7 ARE IN: INCHES	ITEM NAME QSM11 SUBSYSTEM	IDENTIFIER J	ITEM NUMBER 3170646
DWN: UNCHECKED CHD: UNCHECKED APPD: UNCHECKED	SIZE CODE (IDENT. NO.) J	ITEM CONTROL: MCS	SHEET 17 OF 23



ITEM NUMBER
3170646

REVISIONS			
ZONE	REV	DESCRIPTION	APP'D
04	OSM11	SUBSYSTEM	



UNCONTROLLED COPY

- ① CENTINEL VALVE OIL SUPPLY CONNECTION- N/A
- ② CRANKCASE PRESSURE PORT
- ③ GEAR OIL INLET TO COOLER CONNECTION
- ④ GEAR OIL INLET TO COOLER PRESSURE PORT- N/A
- ⑤ GEAR OIL INLET TO COOLER TEMPERATURE PORT- N/A

- ⑥ GEAR OIL OUTLET FROM COOLER CONNECTION
- ⑦ GEAR OIL OUTLET FROM COOLER PRESSURE PORT- N/A
- ⑧ GEAR OIL OUTLET FROM COOLER TEMPERATURE PORT- N/A
- ⑨ OIL DRAIN BOSS
- ⑩ OIL GALLERY TEMPERATURE PORT

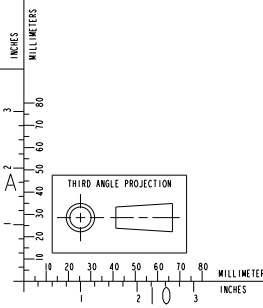
- ⑪ OIL PRESSURE GAUGE PORT, AFTER FILTER
- ⑫ OIL SUMP TEMPERATURE PORT
- ⑬ REMOTE OIL FILTER RETURN CONNECTION
- ⑭ REMOTE OIL FILTER SUPPLY CONNECTION

DO NOT SCALE THIS DRAWING
THIS DRAWING/DATA FILE (AND THE INFORMATION SHOWN THEREON) IS CONFIDENTIAL AND PROPRIETARY AND SHALL NOT BE USED, DISCLOSED TO OTHERS, OR REPRODUCED BY ANY MEANS FOR ANY PURPOSE IN HARD COPY FORM OR IN MACHINE READABLE FILES, WITHOUT WRITTEN CONSENT OF CUMMINS INC., MARKETING CAD SERVICES DEPARTMENT.

LUBE OIL SYSTEM

Product Graphics File
NO ORIGINAL DRAWING EXISTS FOR THIS ITEM. THE ENGINEERING GRAPHICS DATA FOR THIS ITEM RESIDES IN THE PRODUCT GRAPHICS FILE AND IS CONTROLLED BY THE AGENCY DESIGNATED AS HAVING ITEM CONTROL.

LAST SECTION LETTER USED: A		REF. DRAWING STANDARDS: ANSI Y14.5M ISO 81101	CUMMINS INC.	
UNLESS OTHERWISE SPECIFIED DIMENSIONS ARE IN: MILLIMETERS () ARE IN: INCHES		ITEM NAME QSM11 SUBSYSTEM	IDENTIFIER	
DWN: UNCHECKED CHD: UNCHECKED APPD: UNCHECKED		SIZE CODE IDENT. NO. ITEM NUMBER J	3170646	
		SCALE: 2x	ITEM CONTROL: MCS	SHEET 18 OF 23



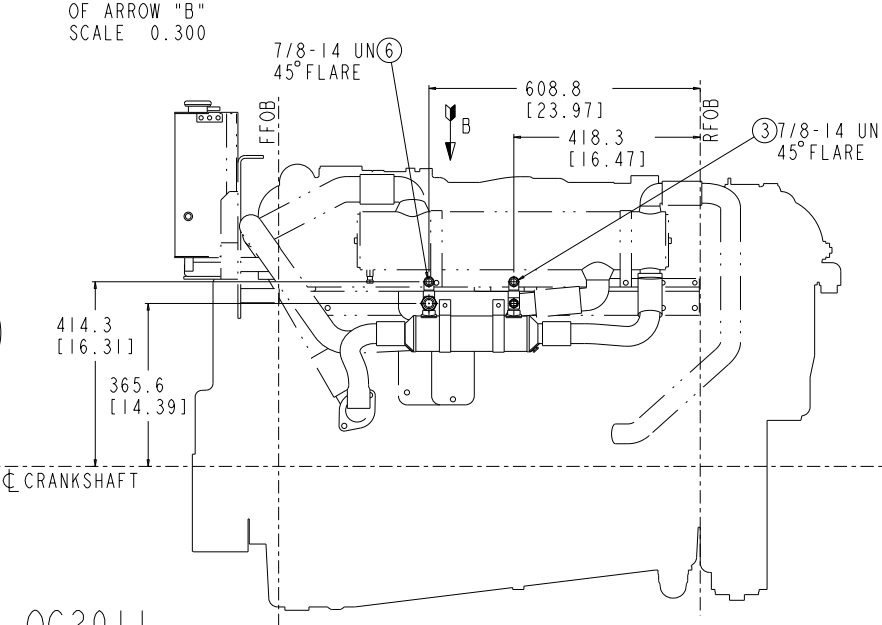
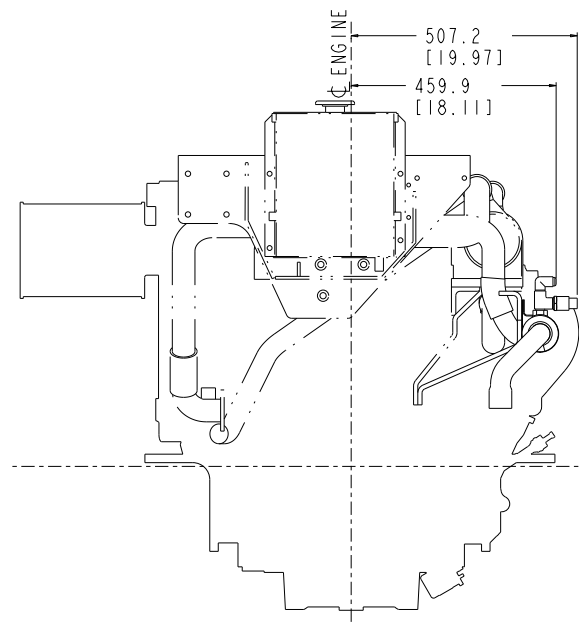
ITEM NUMBER
3170646

REVISIONS		OWN	APP'D
04	QSM11 SUBSYSTEM	06-18-18	

GEAR OIL PRESSURE SENSOR
DIN CONNECTION
72585-A1-3.1-AU

GEAR OIL TEMPERATURE SENSOR
PACKARD CONNECTION.
NO. 1204 0753

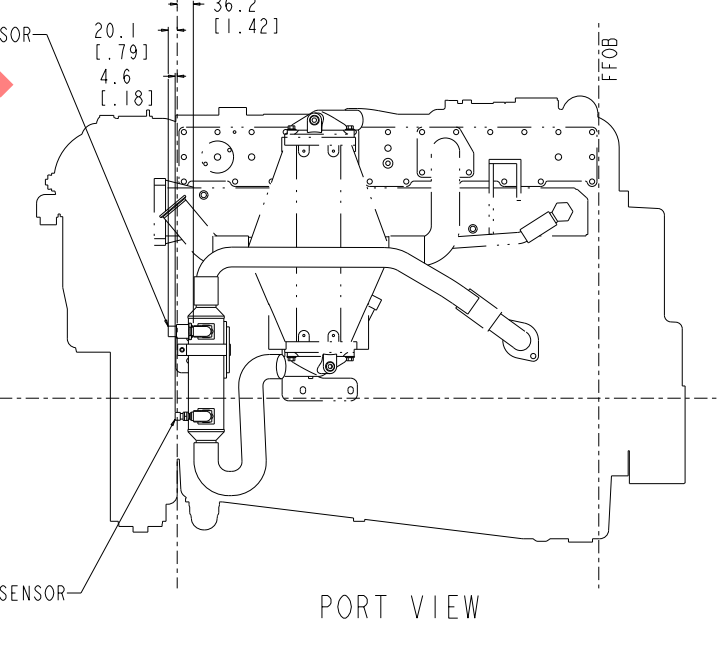
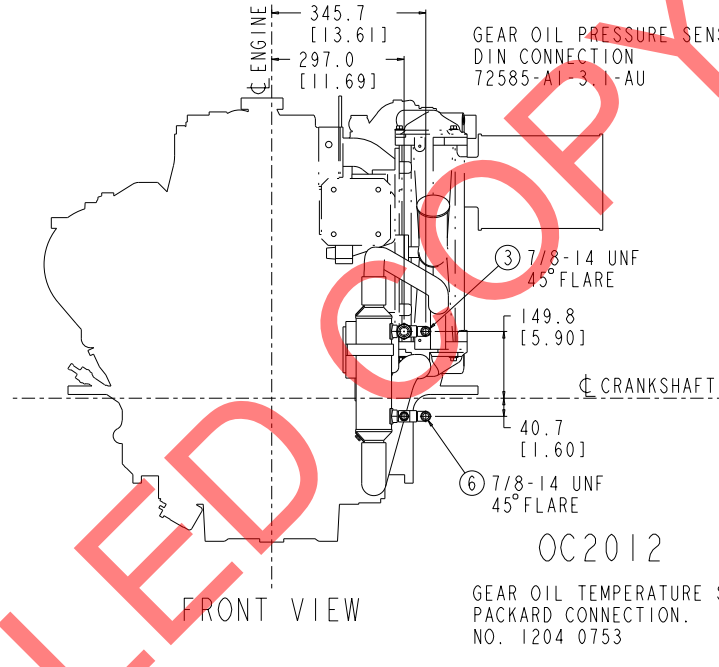
VIEW IN DIRECTION
OF ARROW "B"
SCALE 0.300



FRONT VIEW

PORT VIEW

OC2011

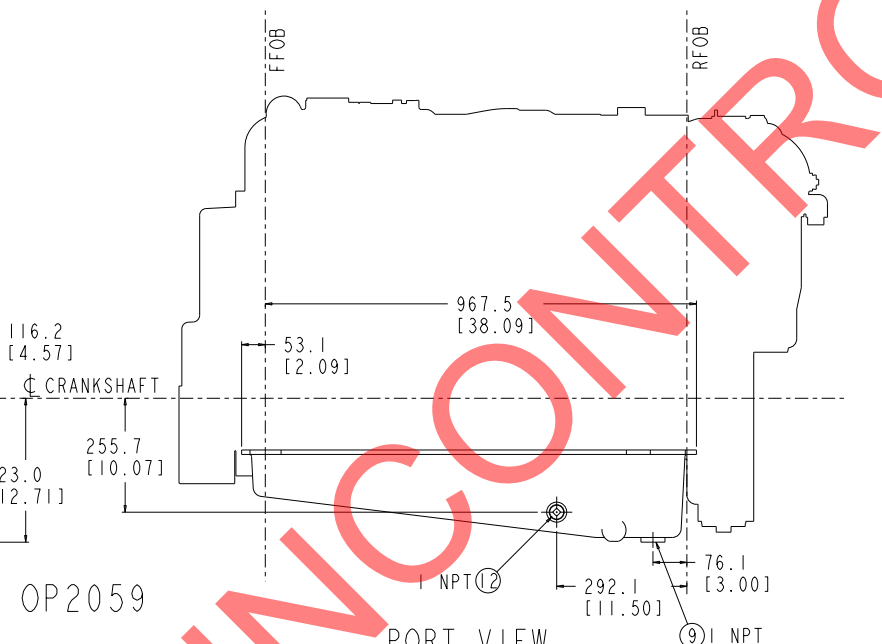
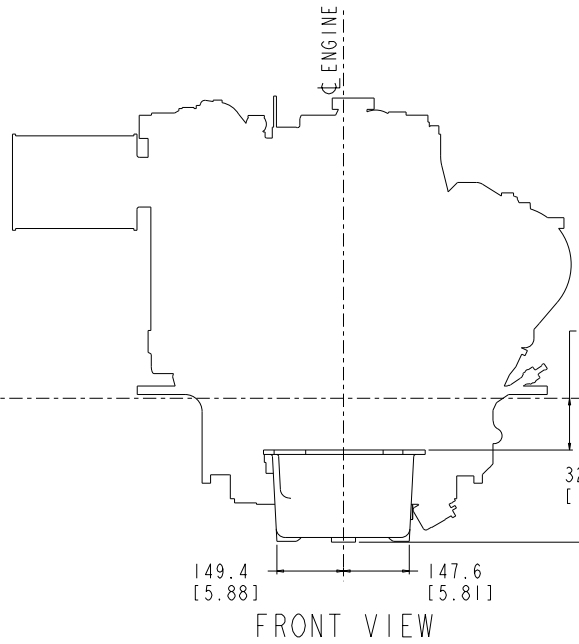


FRONT VIEW

PORT VIEW

OC2012

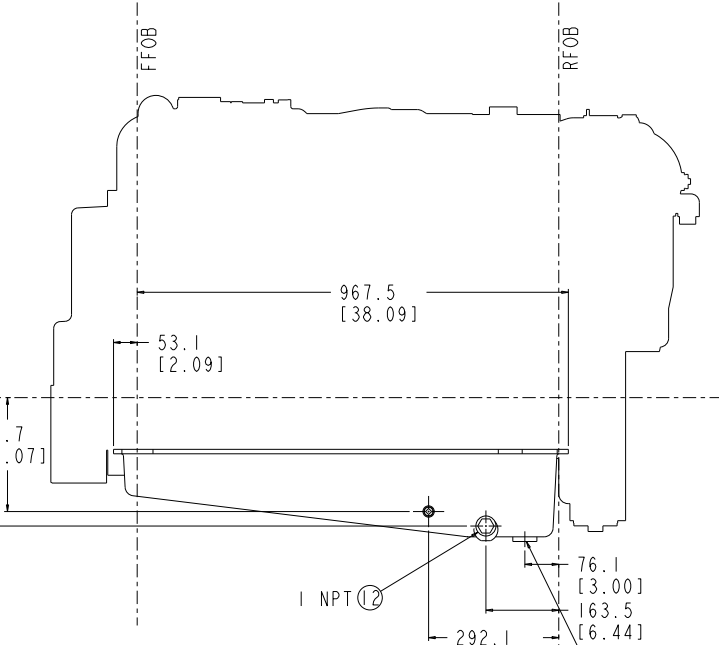
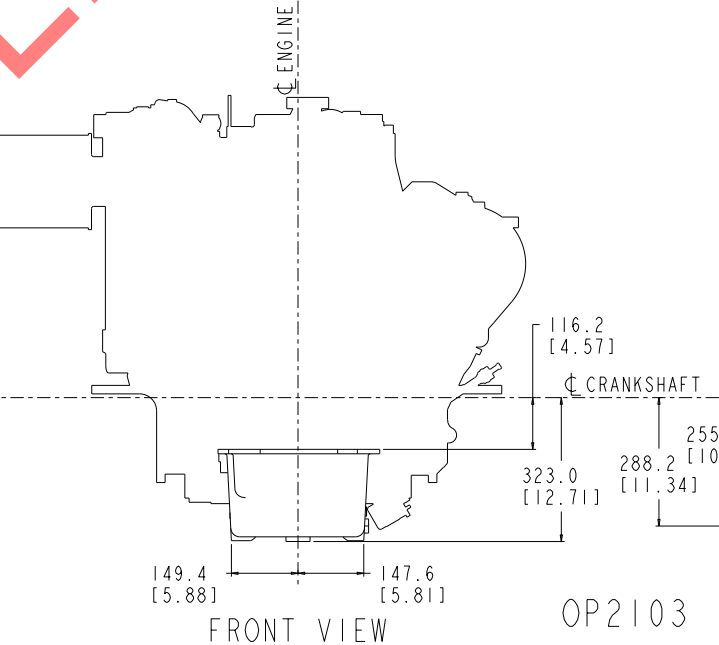
GEAR OIL TEMPERATURE SENSOR
PACKARD CONNECTION.
NO. 1204 0753



FRONT VIEW

PORT VIEW

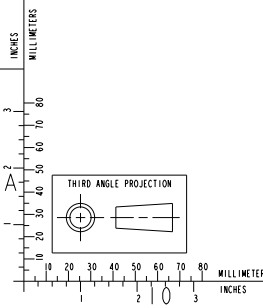
OP2059



FRONT VIEW

PORT VIEW

OP2103



- ① CENTINEL VALVE OIL SUPPLY CONNECTION- N/A
- ② CRANKCASE PRESSURE PORT
- ③ GEAR OIL INLET TO COOLER CONNECTION
- ④ GEAR OIL INLET TO COOLER PRESSURE PORT- N/A
- ⑤ GEAR OIL INLET TO COOLER TEMPERATURE PORT- N/A

- ⑥ GEAR OIL OUTLET FROM COOLER CONNECTION
- ⑦ GEAR OIL OUTLET FROM COOLER PRESSURE PORT- N/A
- ⑧ GEAR OIL OUTLET FROM COOLER TEMPERATURE PORT- N/A
- ⑨ OIL DRAIN BOSS
- ⑩ OIL GALLERY TEMPERATURE PORT

- ⑪ OIL PRESSURE GAUGE PORT, AFTER FILTER
- ⑫ OIL SUMP TEMPERATURE PORT
- ⑬ REMOTE OIL FILTER RETURN CONNECTION
- ⑭ REMOTE OIL FILTER SUPPLY CONNECTION

LUBE OIL SYSTEM

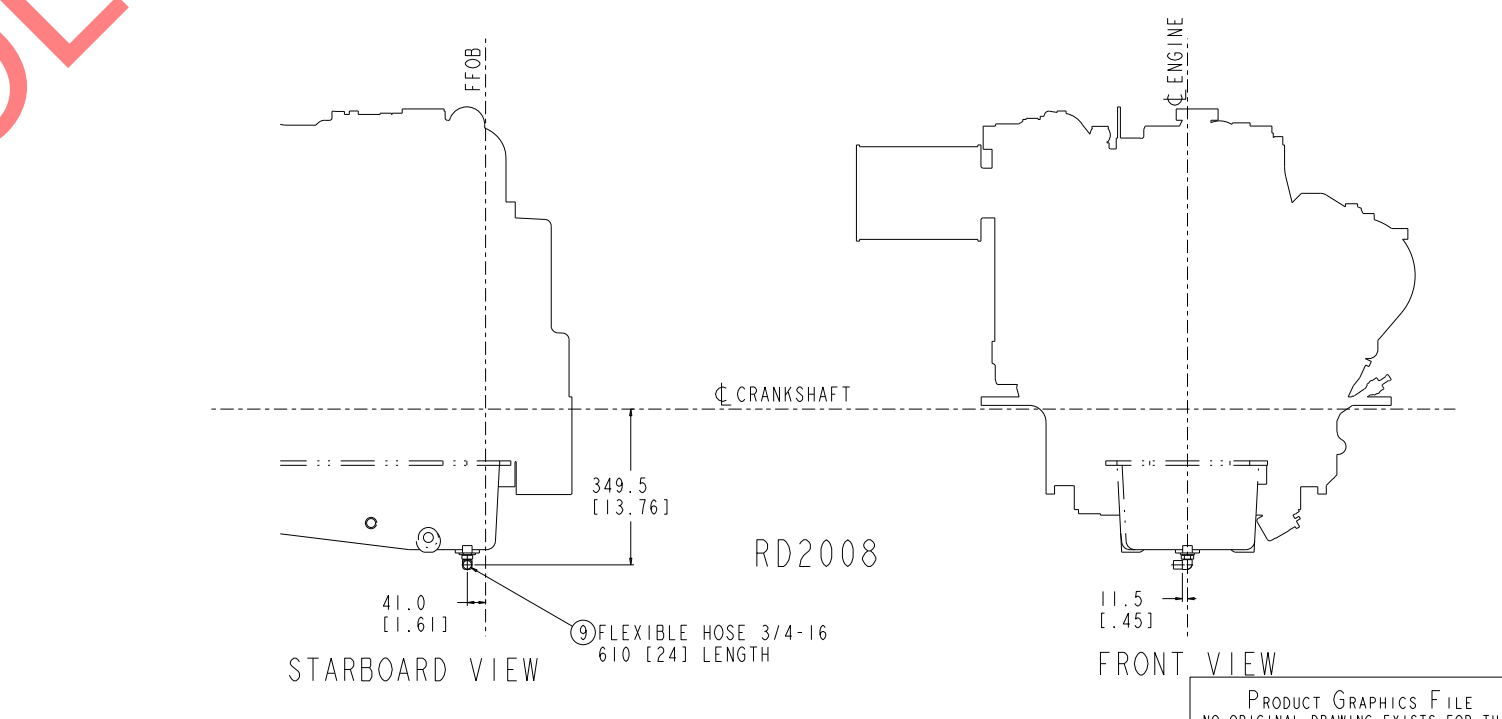
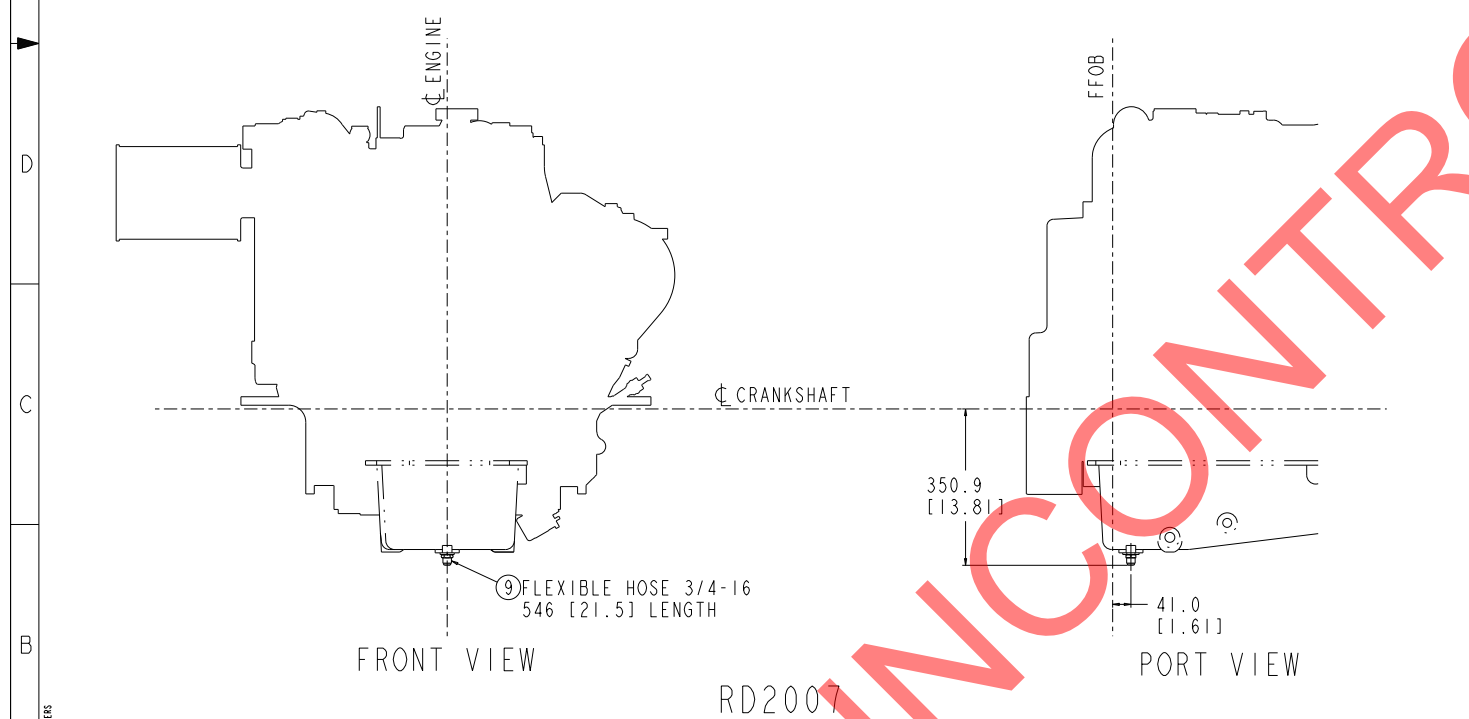
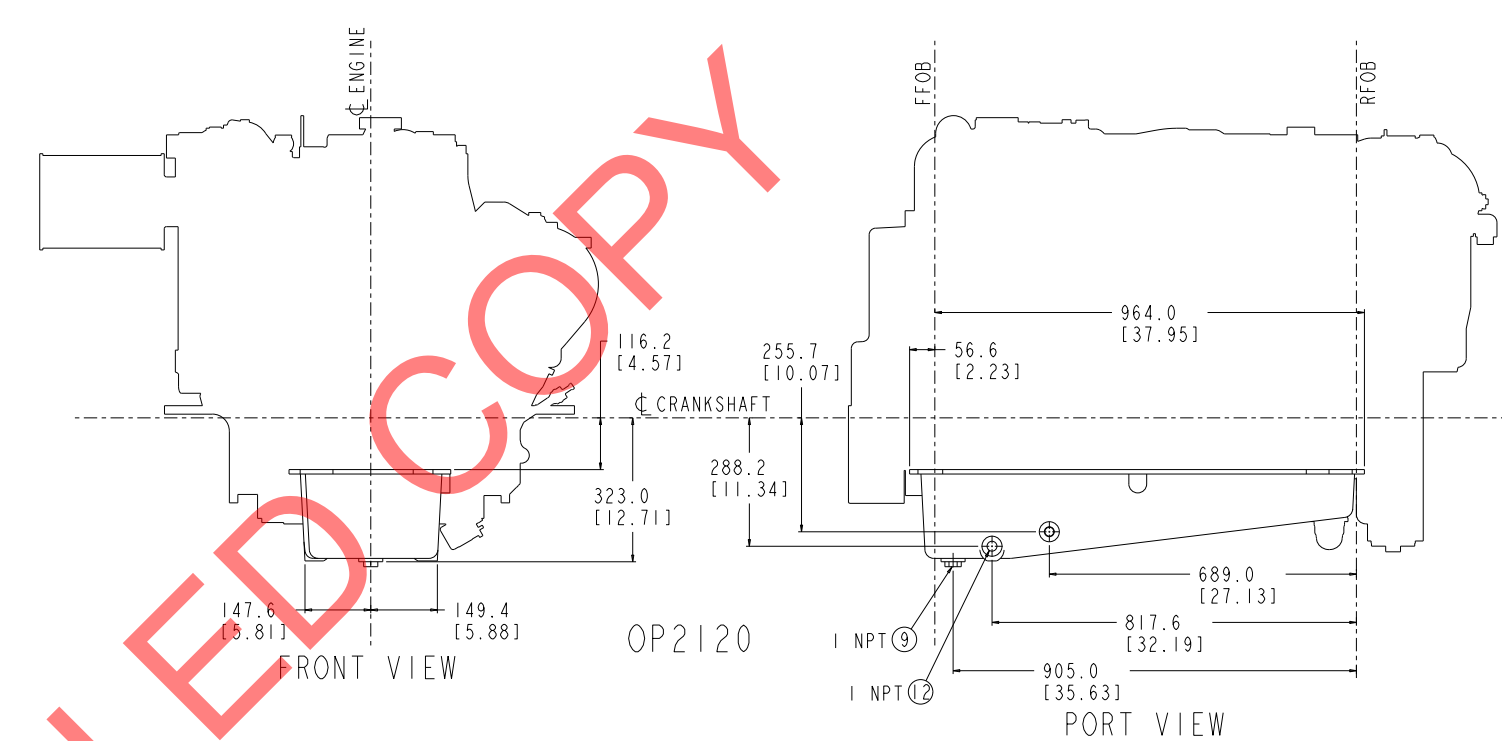
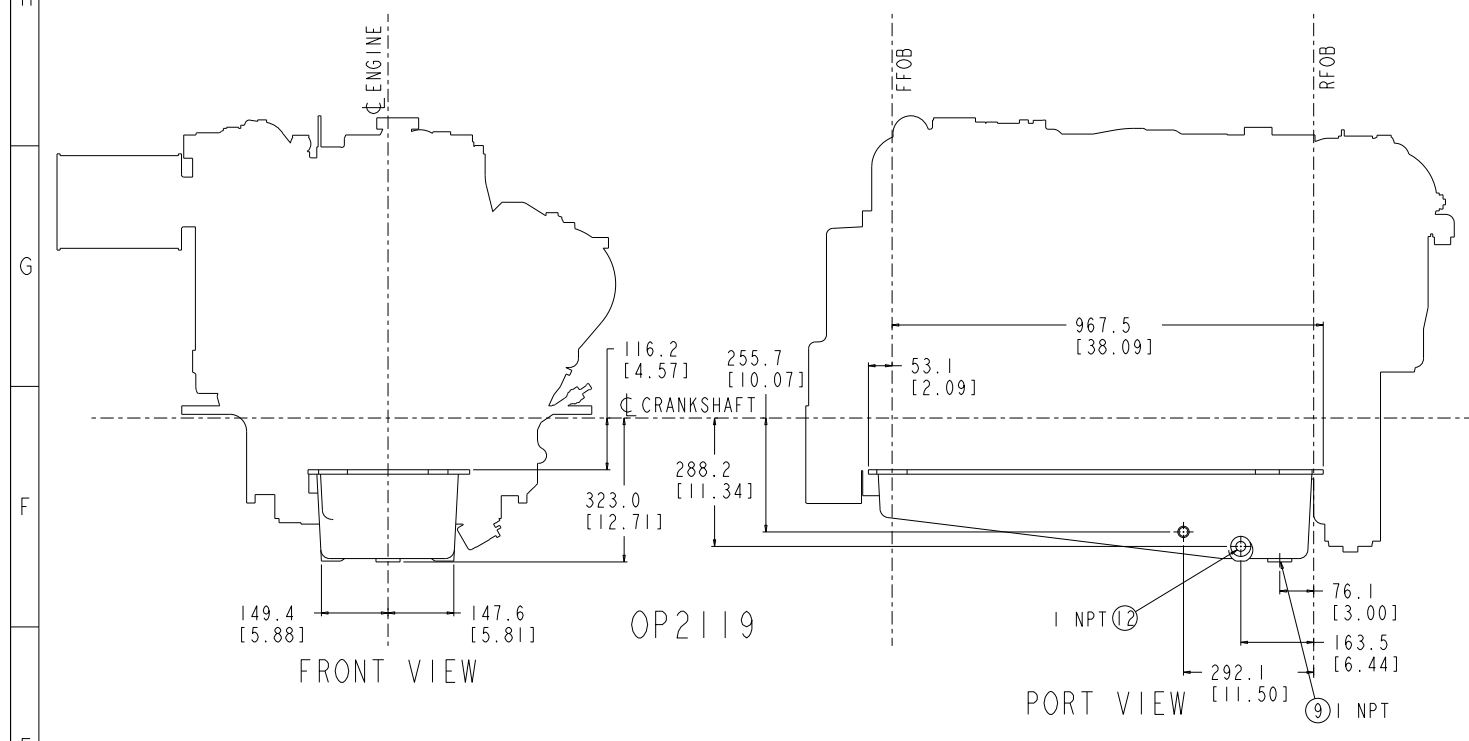
DO NOT SCALE THIS DRAWING
THIS DRAWING/DATA FILE (AND THE INFORMATION SHOWN THEREON) IS CONFIDENTIAL AND PROPRIETARY AND SHALL NOT BE USED, DISCLOSED TO OTHERS, OR REPRODUCED BY ANY MEANS FOR ANY PURPOSE IN HARD COPY FORM OR IN MACHINE READABLE FILES, WITHOUT WRITTEN CONSENT OF CUMMINS INC., MARKETING CAD SERVICES DEPARTMENT.

Product Graphics File
NO ORIGINAL DRAWING EXISTS FOR THIS ITEM. THE ENGINEERING GRAPHICS DATA FOR THIS ITEM RESIDES IN THE PRODUCT GRAPHICS FILE AND IS CONTROLLED BY THE AGENCY DESIGNATED AS HAVING ITEM CONTROL.

LAST SECTION LETTER USED: A		REF. DRAWING STANDARDS: ANSI Y14.5M ISO 81101	CUMMINS INC.	
UNLESS OTHERWISE SPECIFIED DIMENSIONS ARE IN: MILLIMETERS () ARE IN: INCHES		ITEM NAME QSM11 SUBSYSTEM	IDENTIFIER INSTALLATION DIAGRAM	
DWN CHD APPD	TWOLGANG UNCHECKED	SIZE CODE IDENT. NO. J	ITEM NUMBER 3170646	ITEM CONTROL: MCS SHEET 19 OF 23

ITEM NUMBER
3170646

REVISIONS			
ZONE	REV	DESCRIPTION	APP'D
04	OSM11	SUBSYSTEM	06-18-18



- ① CENTINEL VALVE OIL SUPPLY CONNECTION- N/A
- ② CRANKCASE PRESSURE PORT
- ③ GEAR OIL INLET TO COOLER CONNECTION
- ④ GEAR OIL INLET TO COOLER PRESSURE PORT- N/A
- ⑤ GEAR OIL INLET TO COOLER TEMPERATURE PORT- N/A

- ⑥ GEAR OIL OUTLET FROM COOLER CONNECTION
- ⑦ GEAR OIL OUTLET FROM COOLER PRESSURE PORT- N/A
- ⑧ GEAR OIL OUTLET FROM COOLER TEMPERATURE PORT- N/A
- ⑨ OIL DRAIN BOSS
- ⑩ OIL GALLERY TEMPERATURE PORT

- ⑪ OIL PRESSURE GAUGE PORT, AFTER FILTER
- ⑫ OIL SUMP TEMPERATURE PORT
- ⑬ REMOTE OIL FILTER RETURN CONNECTION
- ⑭ REMOTE OIL FILTER SUPPLY CONNECTION

LUBE OIL SYSTEM

DO NOT SCALE THIS DRAWING
THIS DRAWING/DATA FILE (AND THE INFORMATION SHOWN THEREON) IS CONFIDENTIAL AND PROPRIETARY AND SHALL NOT BE USED, DISCLOSED TO OTHERS, OR REPRODUCED BY ANY MEANS FOR ANY PURPOSE IN HARD COPY FORM OR IN MACHINE READABLE FILES, WITHOUT WRITTEN CONSENT OF CUMMINS INC., MARKETING CAD SERVICES DEPARTMENT.

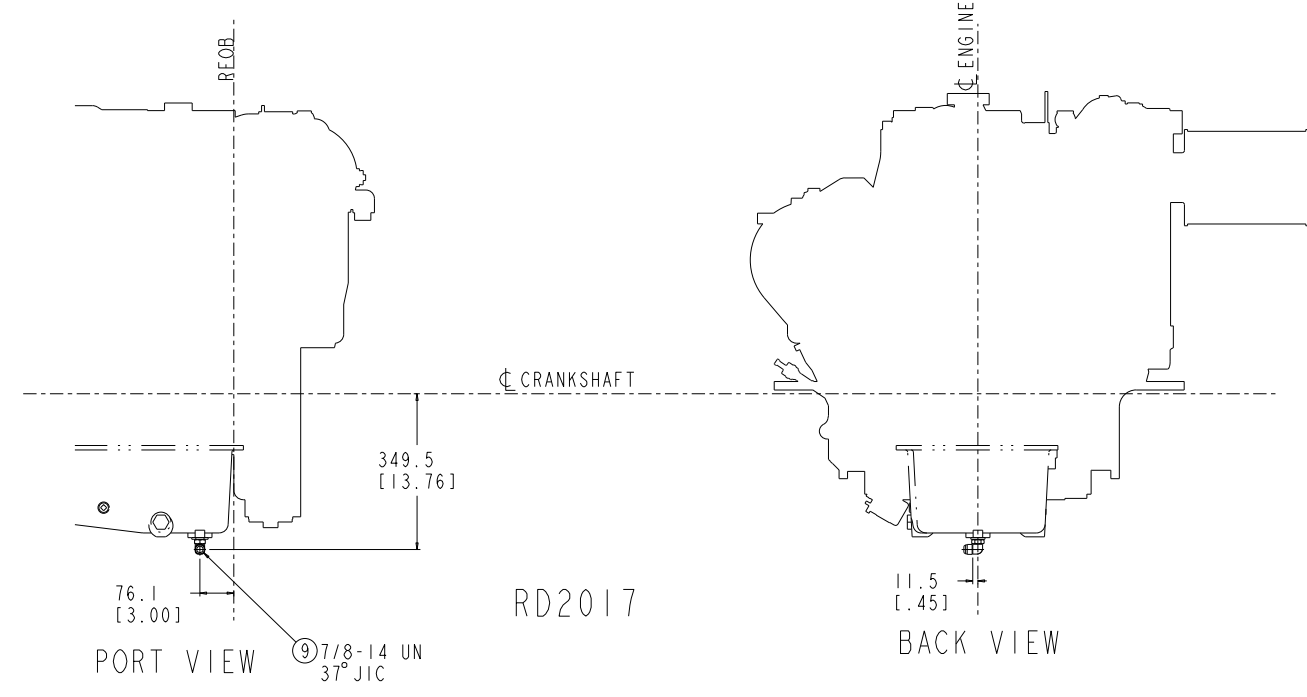
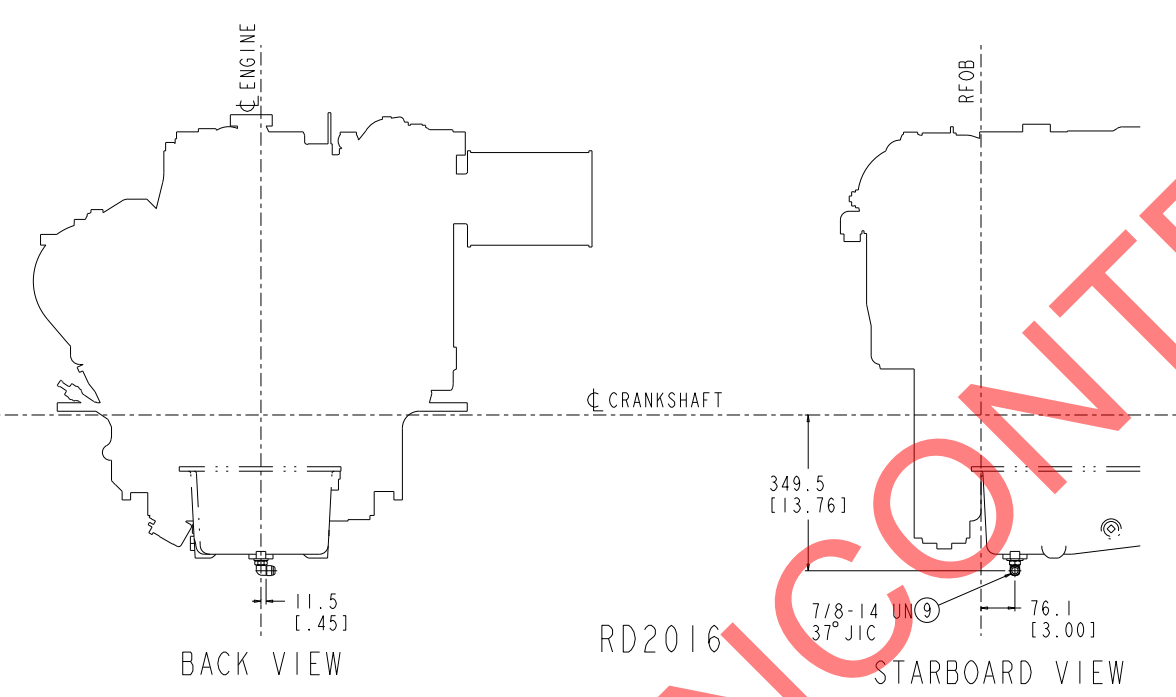
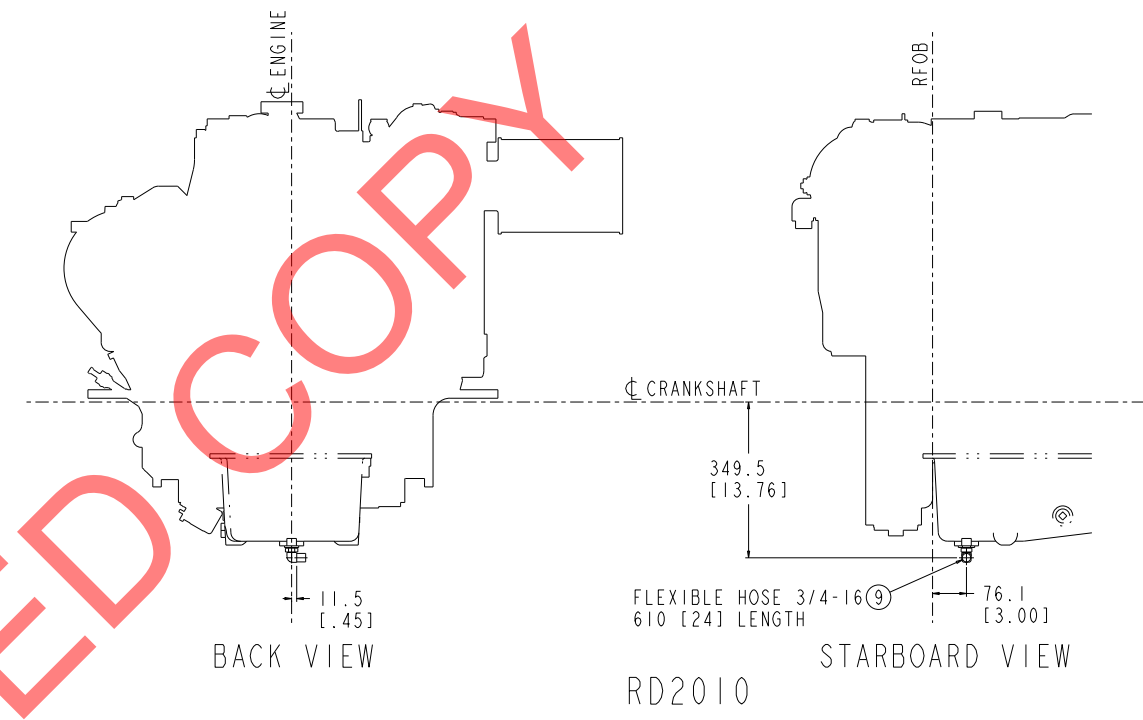
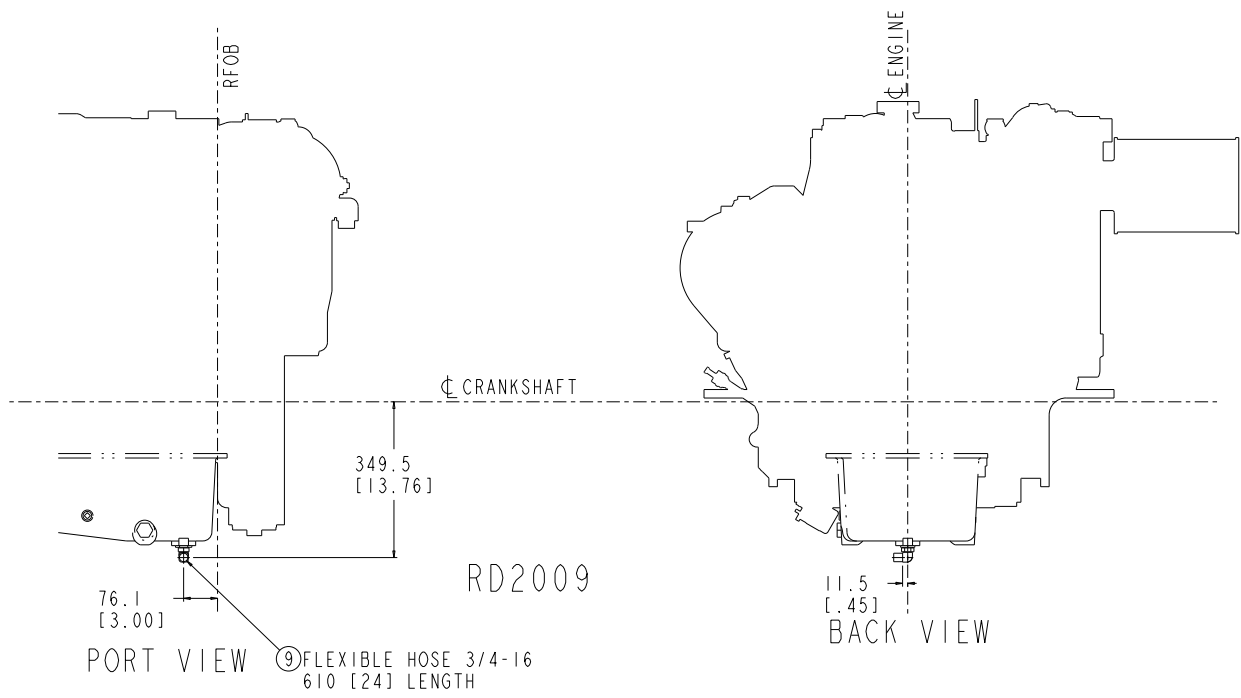
PRODUCT GRAPHICS FILE
NO ORIGINAL DRAWING EXISTS FOR THIS ITEM. THE ENGINEERING GRAPHICS DATA FOR THIS ITEM RESIDES IN THE PRODUCT GRAPHICS FILE AND IS CONTROLLED BY THE AGENCY DESIGNATED AS HAVING ITEM CONTROL.

LAST SECTION LETTER USED: A	REF. DRAWING STANDARDS: ANSI Y14.5M ISO 81101	CUMMINS INC.	
UNLESS OTHERWISE SPECIFIED DIMENSIONS ARE IN: MILLIMETERS () ARE IN: INCHES	ITEM NAME QSM11 SUBSYSTEM	IDENTIFIER INSTALLATION DIAGRAM	ITEM NUMBER 3170646
DWN: UNCHECKED APPD: UNCHECKED	SCALE: 2X	ITEM CONTROL: MCS	SHEET 20 OF 23

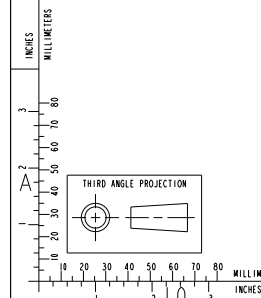
UNCONTROLLED COPY

ITEM NUMBER
3170646

REVISIONS			
ZONE	REV	DESCRIPTION	APP'D
04	OSM11	SUBSYSTEM	06-18-18



UNCONTROLLED COPY



- | | | |
|--|---|--|
| <ul style="list-style-type: none"> ① CENTINEL VALVE OIL SUPPLY CONNECTION- N/A ② CRANKCASE PRESSURE PORT ③ GEAR OIL INLET TO COOLER CONNECTION ④ GEAR OIL INLET TO COOLER PRESSURE PORT- N/A ⑤ GEAR OIL INLET TO COOLER TEMPERATURE PORT- N/A | <ul style="list-style-type: none"> ⑥ GEAR OIL OUTLET FROM COOLER CONNECTION ⑦ GEAR OIL OUTLET FROM COOLER PRESSURE PORT- N/A ⑧ GEAR OIL OUTLET FROM COOLER TEMPERATURE PORT- N/A ⑨ OIL DRAIN BOSS ⑩ OIL GALLERY TEMPERATURE PORT | <ul style="list-style-type: none"> ⑪ OIL PRESSURE GAUGE PORT, AFTER FILTER ⑫ OIL SUMP TEMPERATURE PORT ⑬ REMOTE OIL FILTER RETURN CONNECTION ⑭ REMOTE OIL FILTER SUPPLY CONNECTION |
|--|---|--|

LUBE OIL SYSTEM

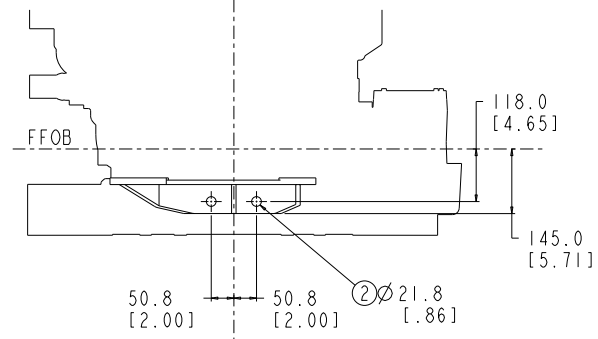
DO NOT SCALE THIS DRAWING
THIS DRAWING/DATA FILE (AND THE INFORMATION SHOWN THEREON) IS CONFIDENTIAL AND PROPRIETARY AND SHALL NOT BE USED, DISCLOSED TO OTHERS, OR REPRODUCED BY ANY MEANS FOR ANY PURPOSE IN HARD COPY FORM OR IN MACHINE READABLE FILES, WITHOUT WRITTEN CONSENT OF CUMMINS INC., MARKETING CAD SERVICES DEPARTMENT.

PRODUCT GRAPHICS FILE
NO ORIGINAL DRAWING EXISTS FOR THIS ITEM. THE ENGINEERING GRAPHICS DATA FOR THIS ITEM RESIDES IN THE PRODUCT GRAPHICS FILE AND IS CONTROLLED BY THE AGENCY DESIGNATED AS HAVING ITEM CONTROL.

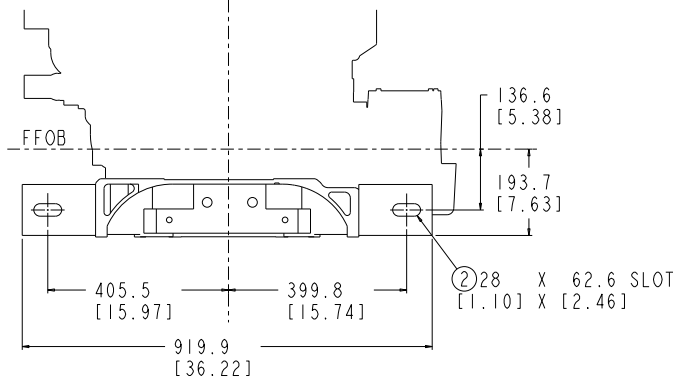
LAST SECTION LETTER USED: A		REF. DRAWING STANDARDS: ANSI Y14.5M ISO 81101	CUMMINS INC.	
UNLESS OTHERWISE SPECIFIED DIMENSIONS ARE IN: MILLIMETERS () ARE IN: INCHES		ITEM NAME QSM11 SUBSYSTEM	IDENTIFIER	
DWN: UNCHECKED CHD: UNCHECKED APPD: UNCHECKED		SIZE CODE (IDENT. NO.) J	ITEM NUMBER 3170646	
		SCALE: 2x	ITEM CONTROL: MCS	SHEET 21 OF 23

ITEM NUMBER
3170646

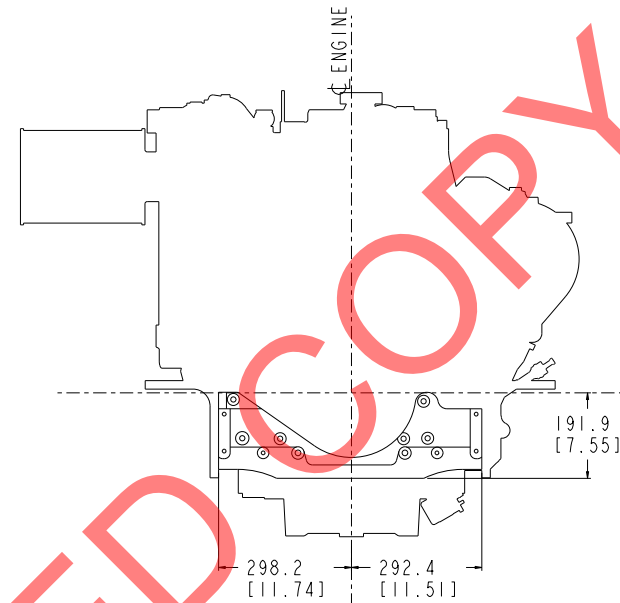
REVISIONS			
ZONE	REV	DESCRIPTION	APP'D
04	OSM11	SUBSYSTEM	



TOP VIEW

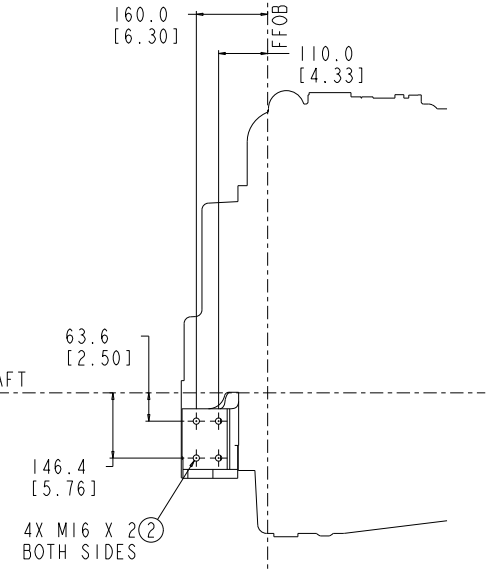


TOP VIEW

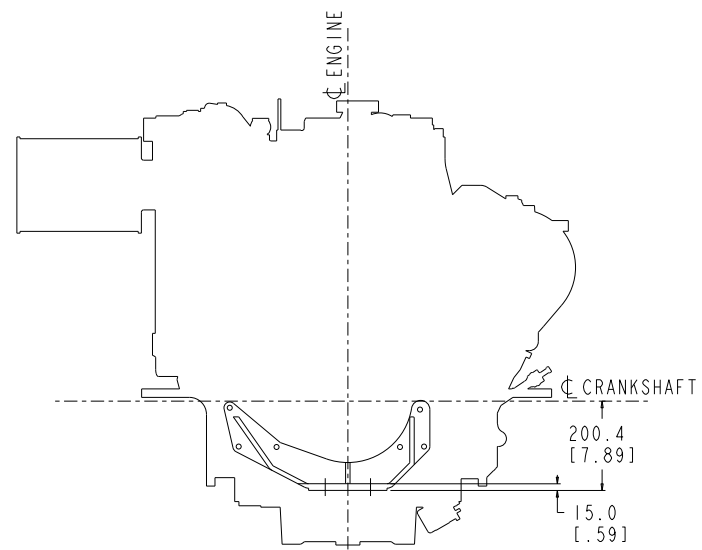


FRONT VIEW

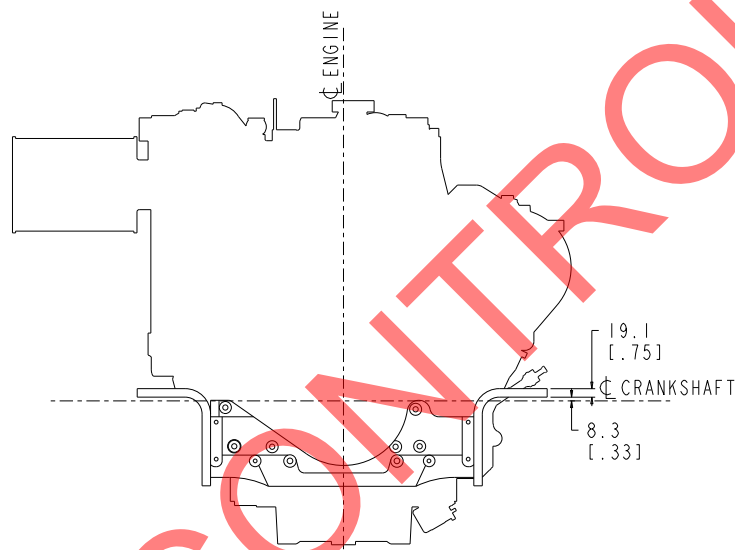
EM2065



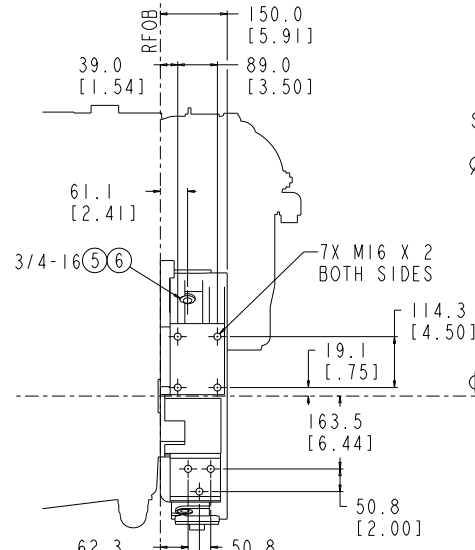
PORT VIEW



FRONT VIEW
EM2038

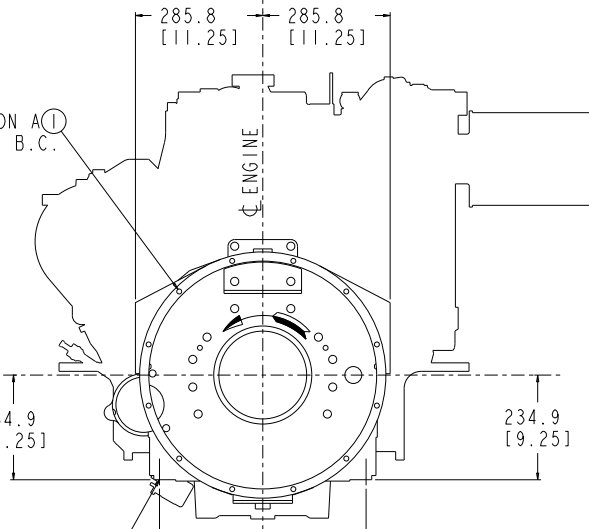


FRONT VIEW
EM2064



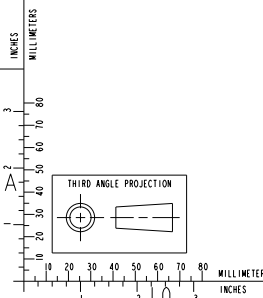
PORT VIEW

SAE 1
12X M10 X 1.5 ON A1
Ø530.2 [20.88] B.C.



BACK VIEW

FH2156



- ① FLYWHEEL HOUSING BOLT HOLES
- ② FRONT MOUNT BOLT HOLE
- ③ JACKING SCREW BOLT HOLE
- ④ REAR MOUNT BOLT HOLE
- ⑤ SPEED SENSOR (ECM) PORT
- ⑥ SPEED SENSOR (TACHOMETER) PORT

UNCONTROLLED COPY

MOUNTING SYSTEM

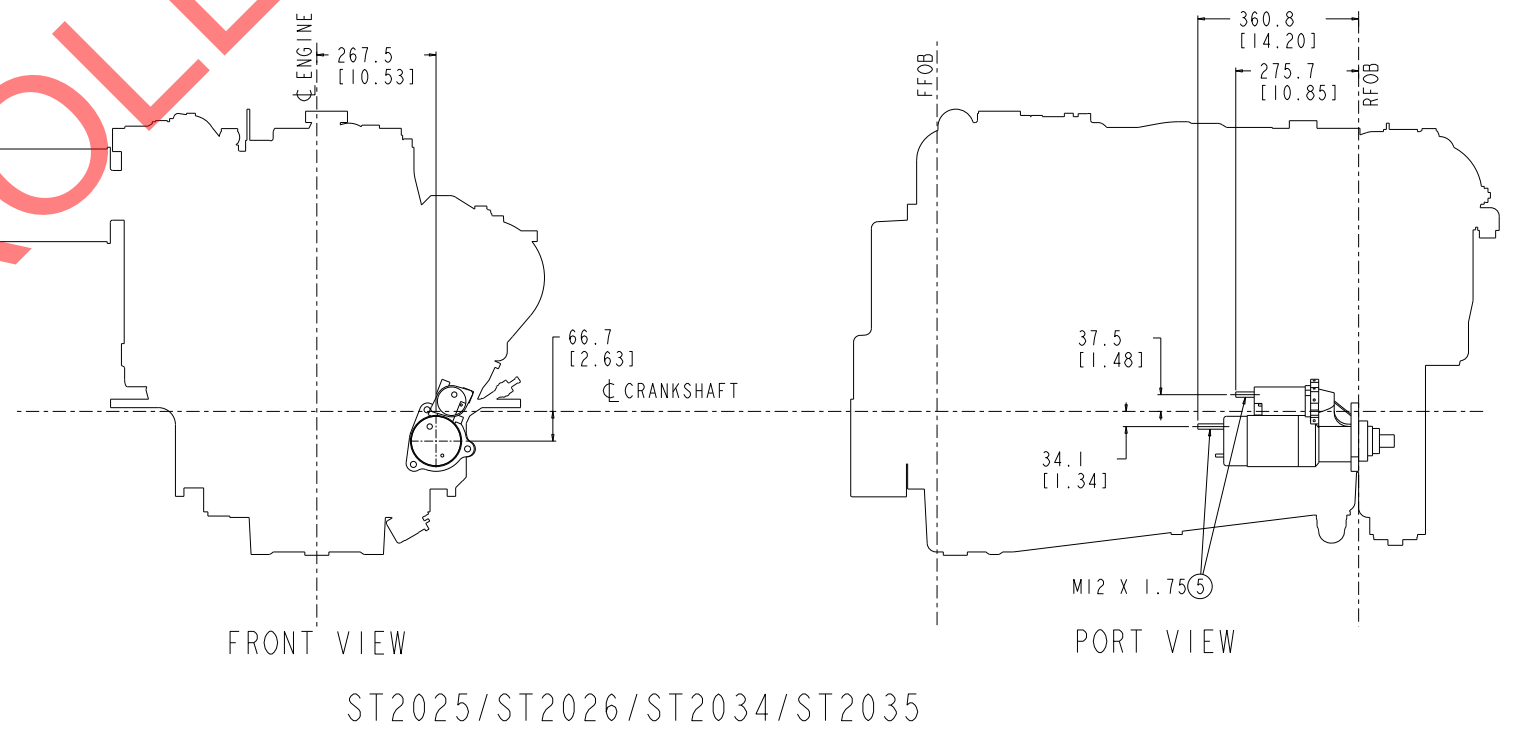
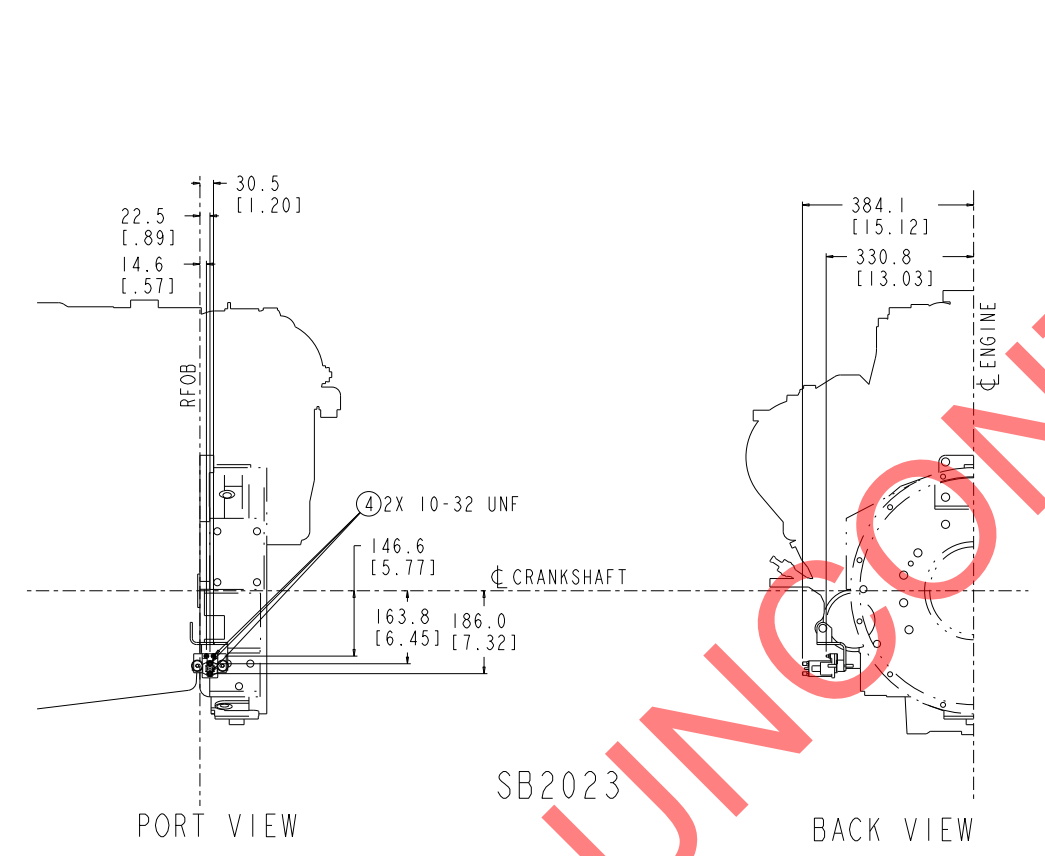
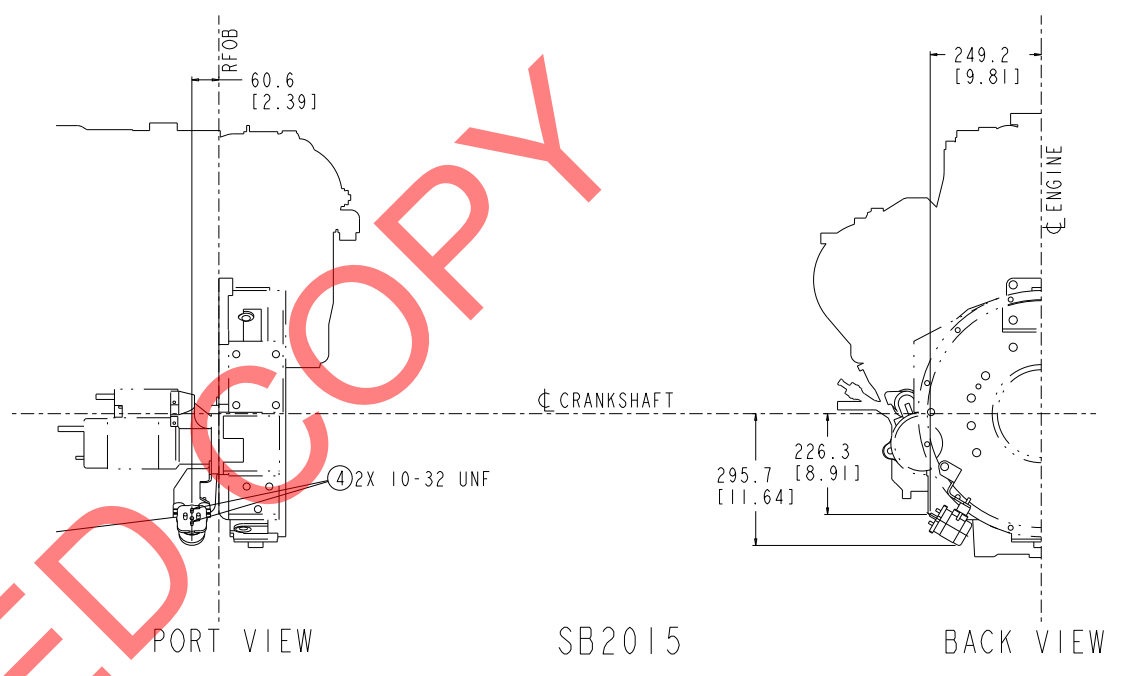
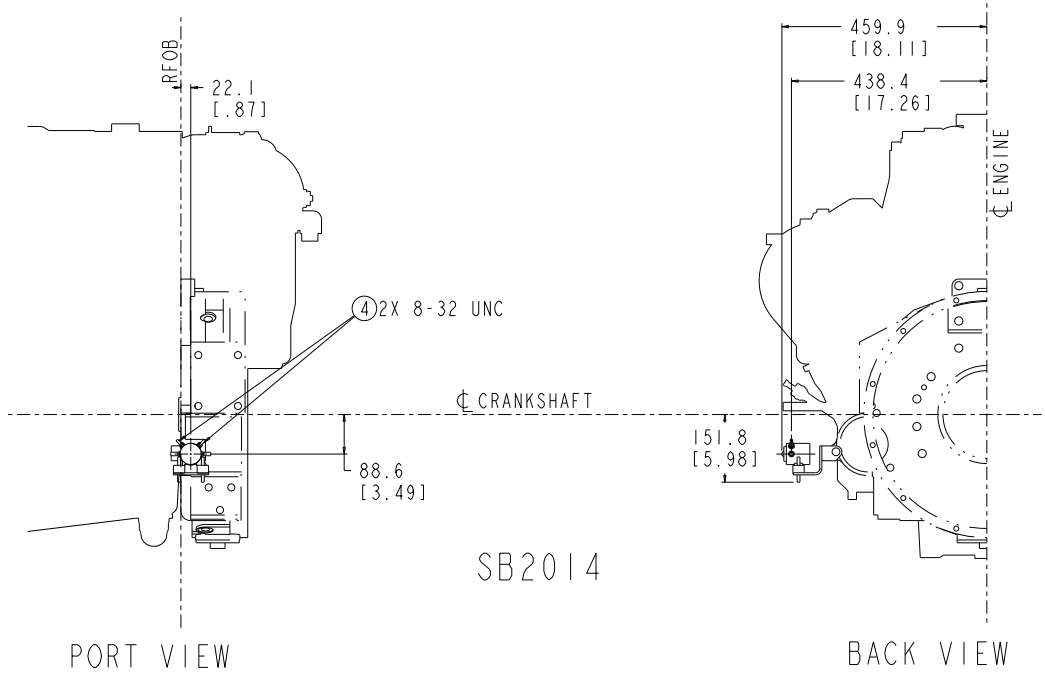
DO NOT SCALE THIS DRAWING
THIS DRAWING/DATA FILE (AND THE INFORMATION SHOWN THEREON) IS CONFIDENTIAL AND PROPRIETARY AND SHALL NOT BE USED, DISCLOSED TO OTHERS, OR REPRODUCED BY ANY MEANS FOR ANY PURPOSE IN HARD COPY FORM OR IN MACHINE READABLE FILES, WITHOUT WRITTEN CONSENT OF CUMMINS INC., MARKETING CAD SERVICES DEPARTMENT.

PRODUCT GRAPHICS FILE
NO ORIGINAL DRAWING EXISTS FOR THIS ITEM. THE ENGINEERING GRAPHICS DATA FOR THIS ITEM RESIDES IN THE PRODUCT GRAPHICS FILE AND IS CONTROLLED BY THE AGENCY DESIGNATED AS HAVING ITEM CONTROL.

LAST SECTION LETTER USED: A	REF. DRAWING STANDARDS: ANSI Y14.5M ISO 81101	CUMMINS INC.	
UNLESS OTHERWISE SPECIFIED DIMENSIONS ARE IN: MILLIMETERS () ARE IN: INCHES		ITEM NAME QSM11 SUBSYSTEM	IDENTIFIER
DWN: TMO/TGANG	APPD: UNCHECKED	INSTALLATION DIAGRAM	ITEM NUMBER
SCALE: 2X	ITEM CONTROL: MCS	3170646	SHEET 22 OF 23

ITEM NUMBER
3170646

REVISIONS		OWN	APP'D
04	QSM11 SUBSYSTEM	06-18-18	



UNCONTROLLED COPY

- ① COMPRESSED AIR SUPPLY CONNECTION- N/A
- ② ENGAGEMENT CONTROL (AIR IN)- N/A
- ③ ENGAGEMENT CONTROL (AIR OUT)- N/A
- ④ STARTER RELAY SWITCH TERMINALS
- ⑤ STARTER TERMINALS

PRODUCT GRAPHICS FILE
NO ORIGINAL DRAWING EXISTS FOR THIS ITEM. THE ENGINEERING GRAPHICS DATA FOR THIS ITEM RESIDES IN THE PRODUCT GRAPHICS FILE AND IS CONTROLLED BY THE AGENCY DESIGNATED AS HAVING ITEM CONTROL.

LAST SECTION LETTER USED: A	REF. DRAWING STANDARDS: ANSI Y14.5M ISO 81101	CUMMINS INC.	
UNLESS OTHERWISE SPECIFIED DIMENSIONS ARE IN: MILLIMETERS () ARE IN: INCHES		ITEM NAME QSM11 SUBSYSTEM	IDENTIFIER
DO NOT SCALE THIS DRAWING		SIZE CODE (IDENT. NO.)	ITEM NUMBER
DWN: TMO/TGANG	APPD: UNCHECKED	J	3170646
SCALE: 2x		ITEM CONTROL: MCS	SHEET 23 OF 23

THIS DRAWING/DATA FILE (AND THE INFORMATION SHOWN THEREON) IS CONFIDENTIAL AND PROPRIETARY AND SHALL NOT BE USED, DISCLOSED TO OTHERS, OR REPRODUCED BY ANY MEANS FOR ANY PURPOSE IN HARD COPY FORM OR IN MACHINE READABLE FILES, WITHOUT WRITTEN CONSENT OF CUMMINS INC., MARKETING CAD SERVICES DEPARTMENT.

STARTING SYSTEM

