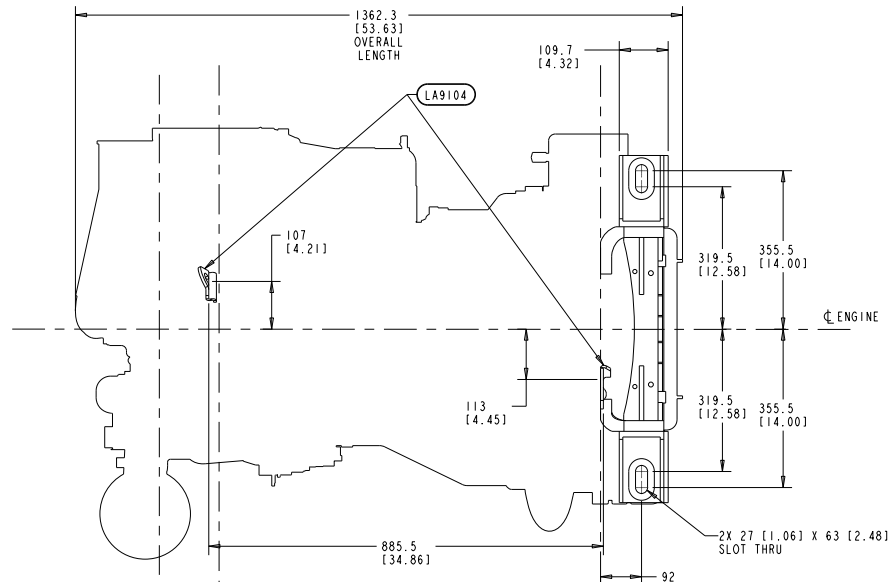
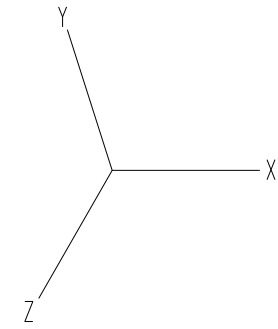
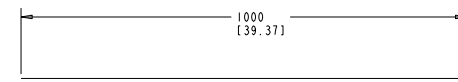


ITEM NUMBER  
4954093

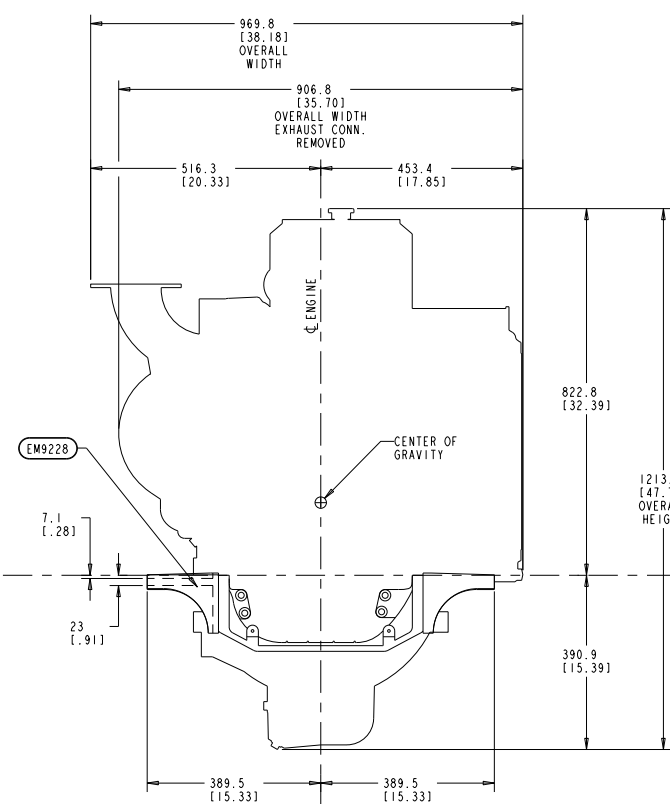
REVISIONS			
ZONE	REV	DESCRIPTION	APP'D
01		PER REQUEST 12207	

TO DETERMINE THE SCALE AT WHICH THE DRAWING WAS PLOTTED  
MEASURE THE LENGTH OF LINE "X" AND COMPARE IT TO THE CHART  
BELOW. IF DESIRED, YOU MAY THEN ENLARGE OR REDUCE, BY THE  
USE OF A PHOTOCOPIER TO THE SCALE THAT BEST SUITS YOUR NEEDS.

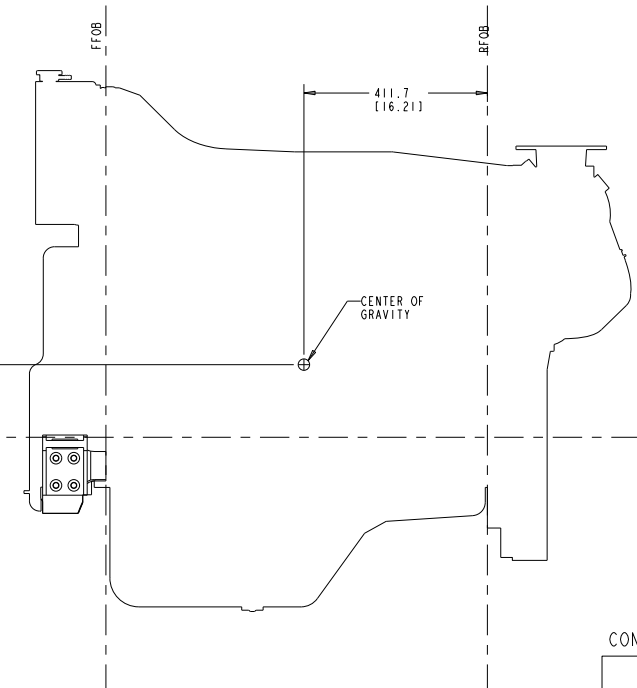
LINE "X" LENGTH	CURRENT SCALE
1000mm	FULL
250mm	1:4
200mm	1:5
125mm	1:8
100mm	1:10
85mm	1:12
62mm	1:16
50mm	1:20
42mm	1:24



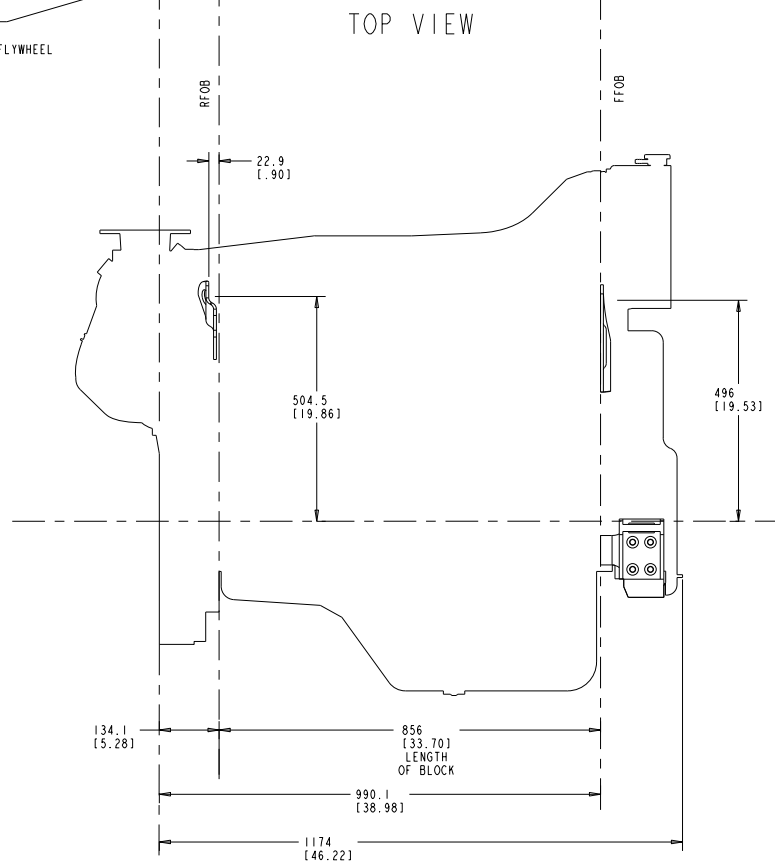
TOP VIEW



FRONT VIEW



PORT VIEW



STARBOARD VIEW

FH9352  
REARFACE FLYWHEEL HOUSING

EM9228

CONFIGURATION D563023MX03

PRODUCT GRAPHICS FILE  
NO ORIGINAL ENGINEERING EXISTS FOR THIS ITEM. THE ENGINEERING GRAPHICS DATA FOR THIS ITEM RESIDES IN THE PRODUCT GRAPHICS FILE AND IS CONTROLLED BY THE AGENCY DESIGNATED AS HAVING ITEM CONTROL.

CUMMINS INC.

ITEM NAME  
QSL9-KC TIER 3

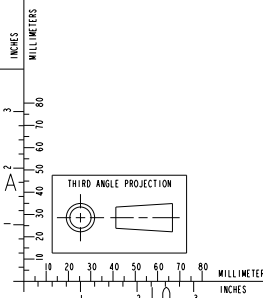
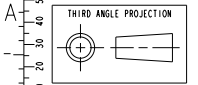
IDENTIFIER  
INSTALLATION DIAGRAM

SIZE CODE (IDENT. NO.) ITEM NUMBER  
J 4954093

SCALE: 1:15 ITEM CONTROL: MCS SHEET 1 OF 3

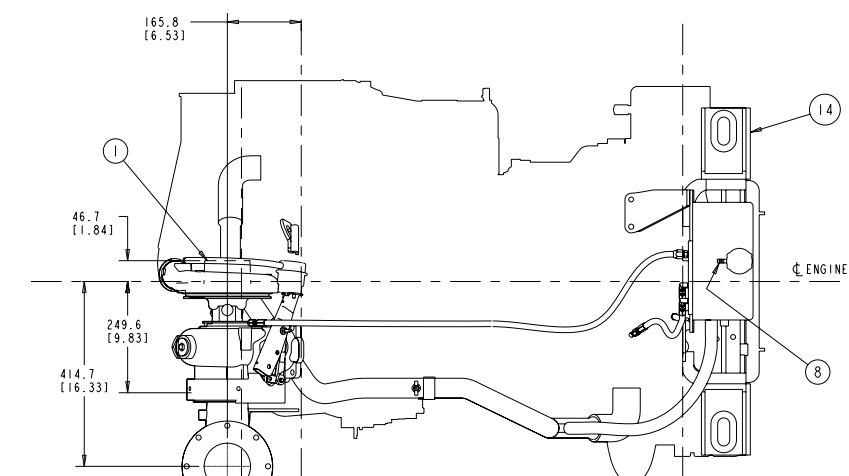
DO NOT SCALE THIS DRAWING

THIS DRAWING/DATA FILE (AND THE INFORMATION SHOWN THEREON) IS CONFIDENTIAL AND PROPRIETARY AND SHALL NOT BE USED, DISCLOSED TO OTHERS, OR REPRODUCED BY ANY MEANS FOR ANY PURPOSE IN HARD COPY FORM OR IN MACHINE READABLE FILES, WITHOUT WRITTEN CONSENT OF CUMMINS INC., MARKETING CAD SERVICES DEPARTMENT.

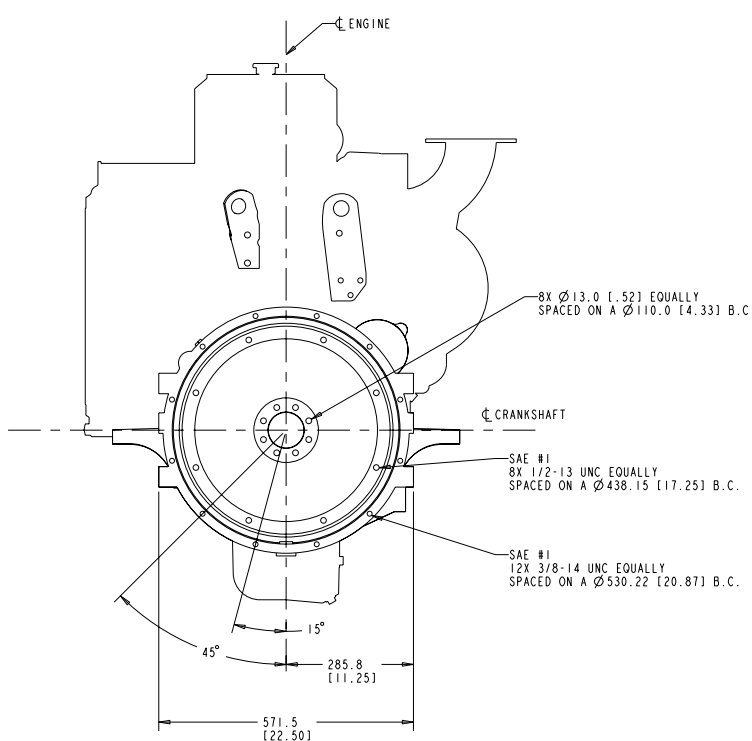


ITEM NUMBER  
4954093

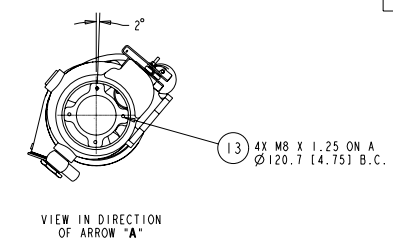
REVISIONS		OWN	APP'D
ZONE	REV	DESCRIPTION	DATE
01	PER REQUEST	12207	



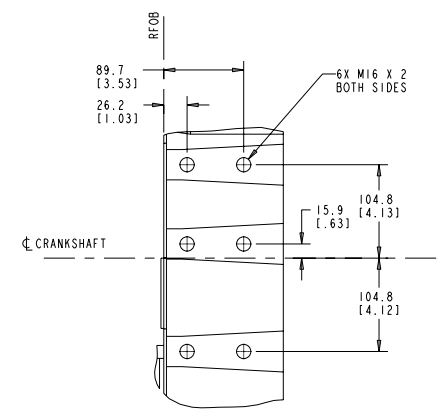
TOP VIEW



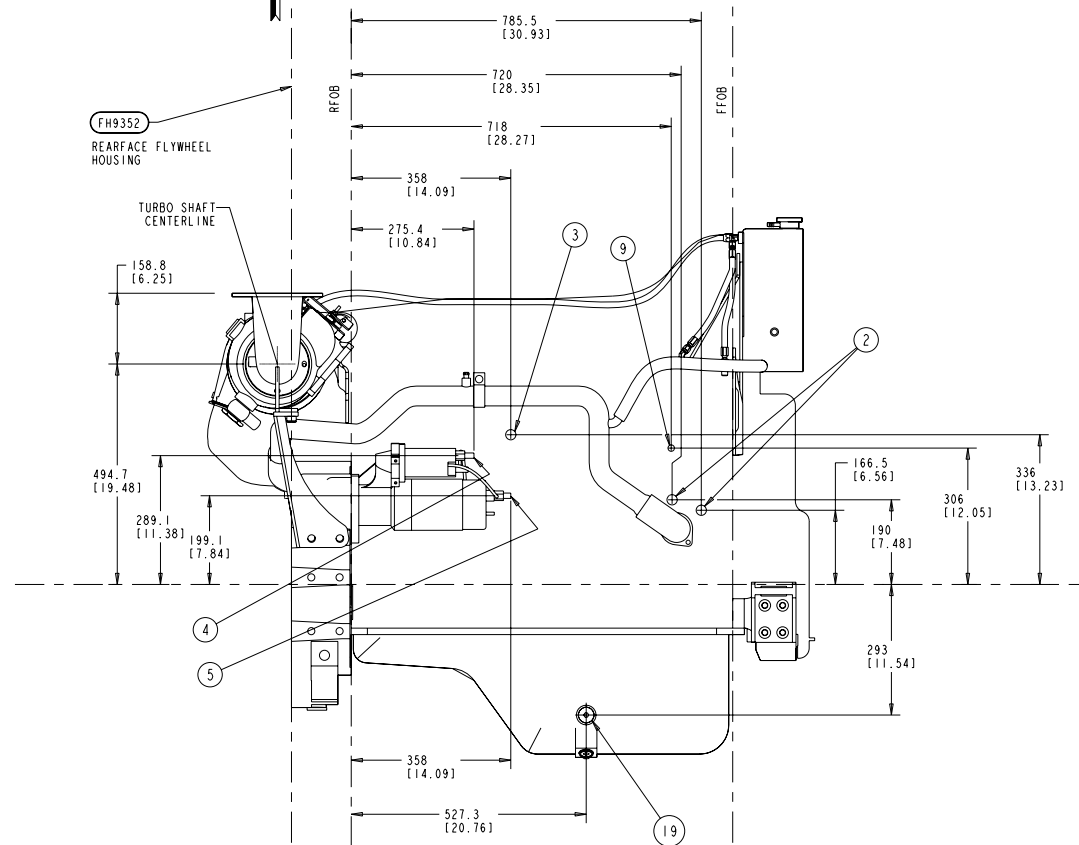
BACK VIEW



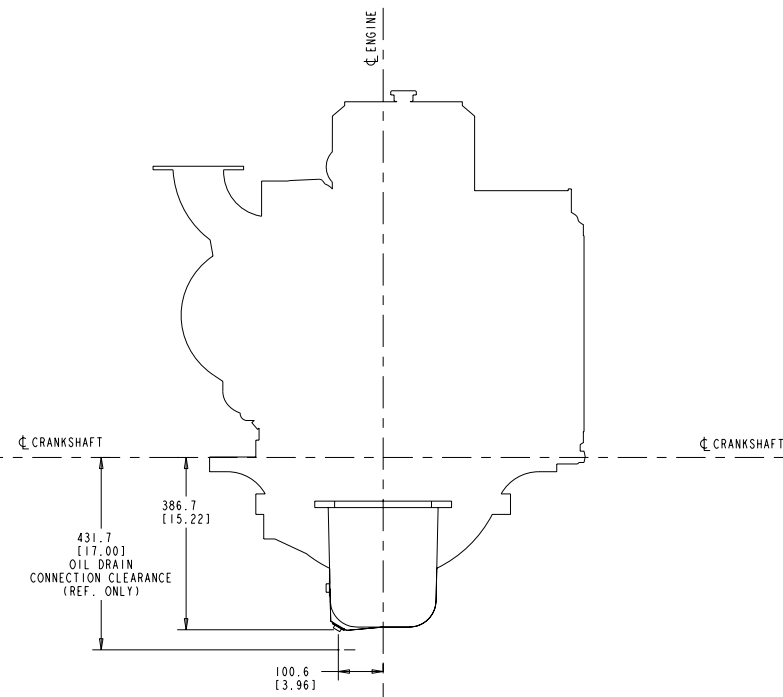
VIEW IN DIRECTION OF ARROW "A"



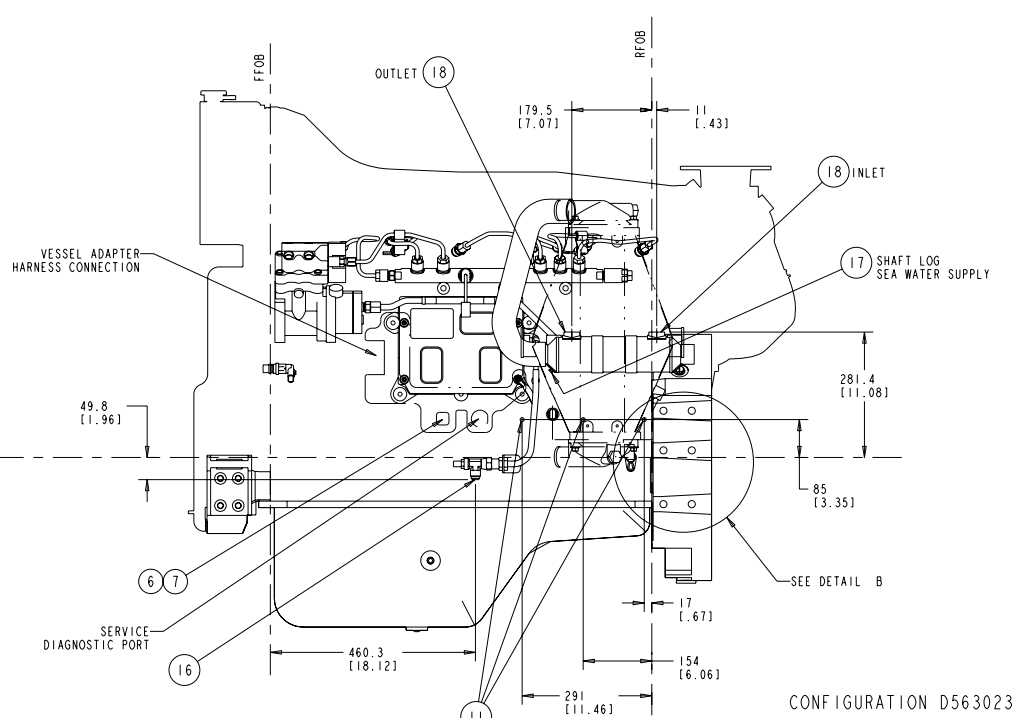
DETAIL B  
SCALE 0.400



STARBOARD VIEW



FRONT VIEW



PORT VIEW

CONFIGURATION D563023MX03

PRODUCT GRAPHICS FILE  
NO ORIGINAL DRAWING EXISTS FOR THIS ITEM. THE ENGINEERING GRAPHICS DATA FOR THIS ITEM RESIDES IN THE PRODUCT GRAPHICS FILE AND IS CONTROLLED BY THE AGENCY DESIGNATED AS HAVING ITEM CONTROL.

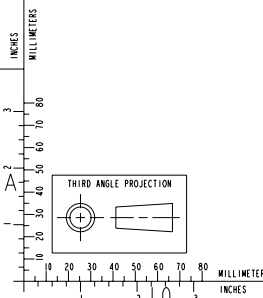
INSTALLATION CONNECTIONS

1 AIR CLEANER CONNECTION: Ø101.6 [4.00]	9 COOLANT TEMPERATURE M14 X 1.5	17 GEAR OIL COOLER DRAIN: 1/8 NPT
2 AUXILIARY HEATER RETURN: 3/4 NPT	10 CRANKCASE VENT: Ø19.1 [0.75] O.D. HOSE	18 GEAR OIL COOLER INLET AND OUTLET: 2X 1/2 NPT
3 AUXILIARY HEATER SUPPLY: 3/4 NPT W/ ORIFICE	11 ENGINE LUBRICATING OIL PRESSURE RIFLE: M10 X 1.0	19 OIL HEATER CONNECTION: M22 X 1.5
4 BATTERY CONNECTION (STARTER) (+): M12 X 1.75	12 EXHAUST OUTLET CONNECTION (ELBOW): O.D. 203.2	20 LTA COOLANT INLET CONNECTION: Ø46.5 [1.83]
5 BATTERY CONNECTION (STARTER) (-): M12 X 1.75	13 EXHAUST OUTLET CONNECTION (TURBO): Ø66 [2.60] I.D.	21 LTA COOLANT OUTLET CONNECTION: Ø46.5 [1.83]
6 BATTERY CONNECTION (ECM) (+): 4 PIN CONNECTOR	14 FRONT ENGINE SUPPORT: 2X 27 [1.06] X 63 [2.48] SLOT	
7 BATTERY CONNECTION (ECM) (-): 4 PIN CONNECTOR	15 FUEL RETURN TO TANK CONNECTION: [3/4-16 UNF-2B] (SAE J1926)	
8 COOLANT RECOVERY/OVERFLOW CONNECTION: Ø9.5 [0.38]	16 FUEL INLET CONNECTION: [7/8-14 UNF-2B] (SAE J1926)	

DO NOT SCALE THIS DRAWING

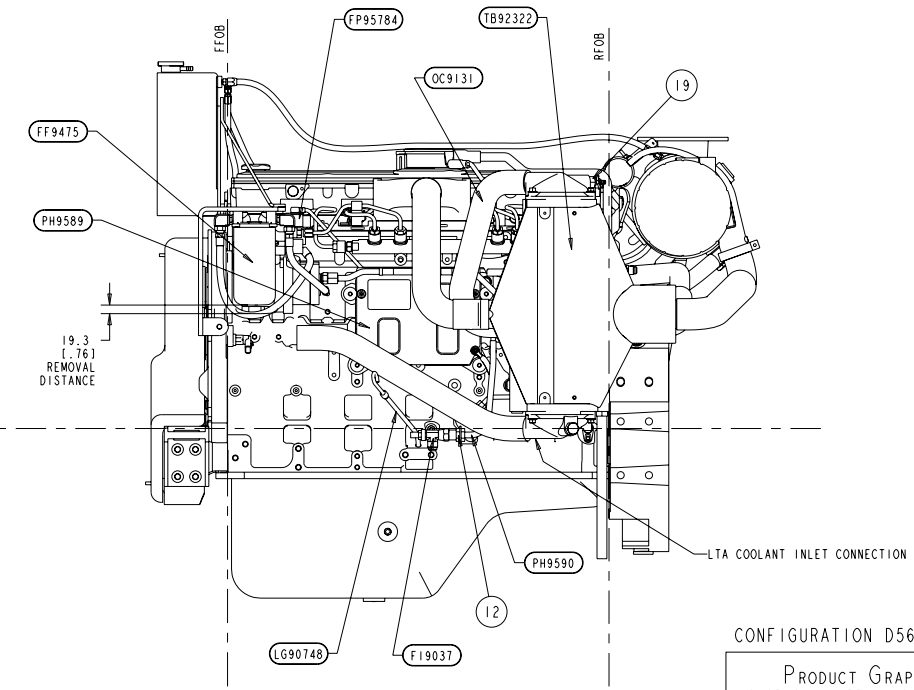
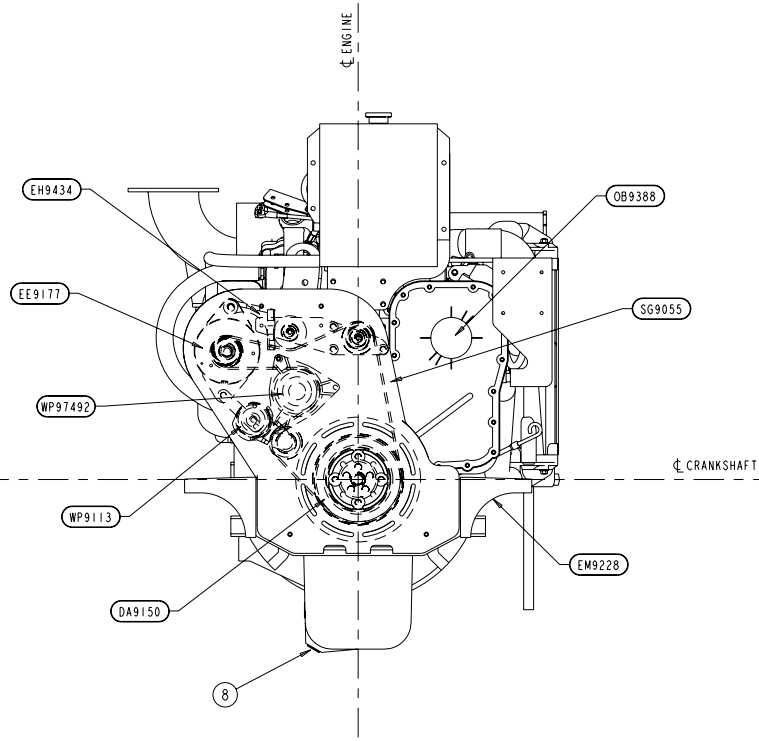
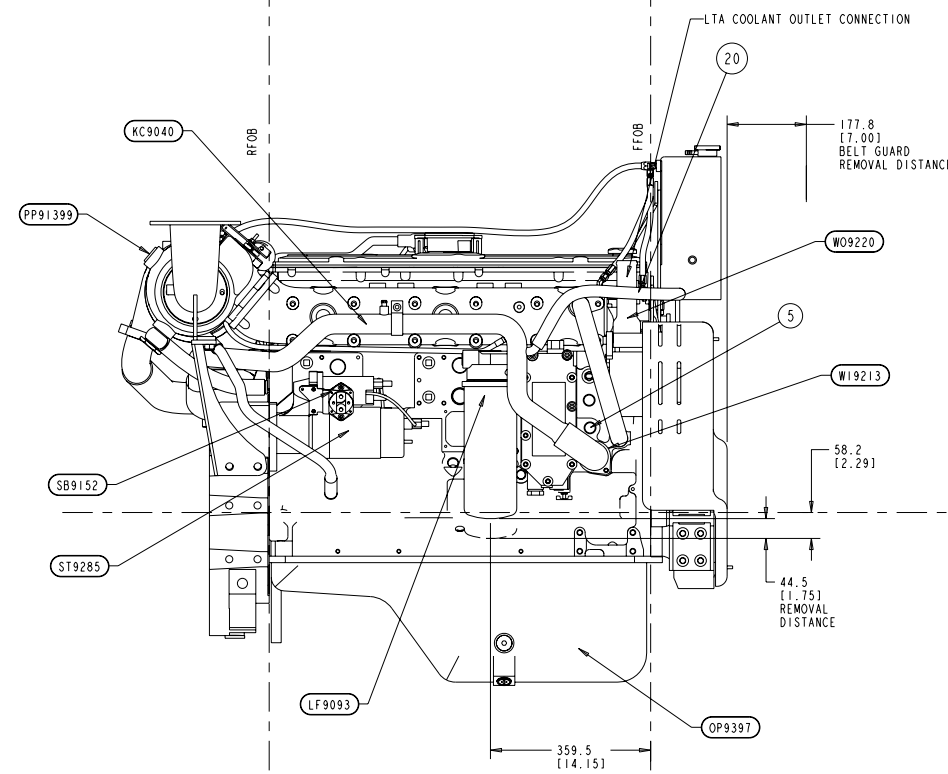
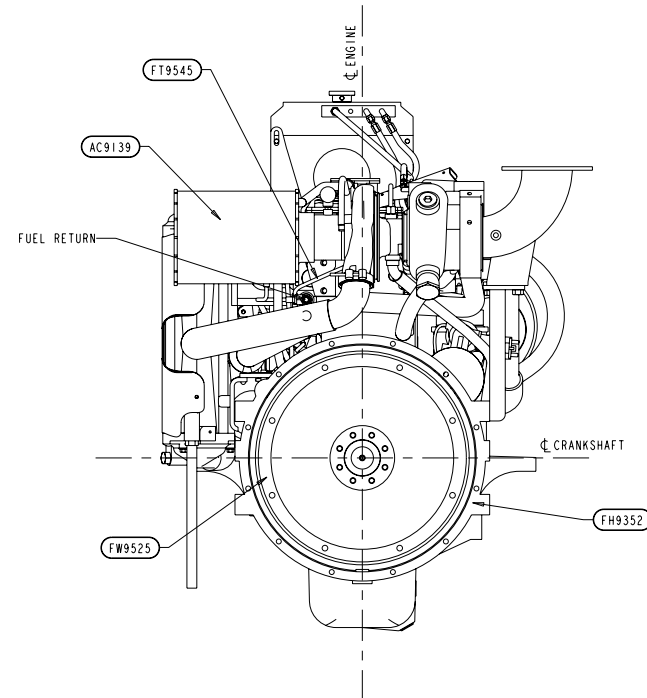
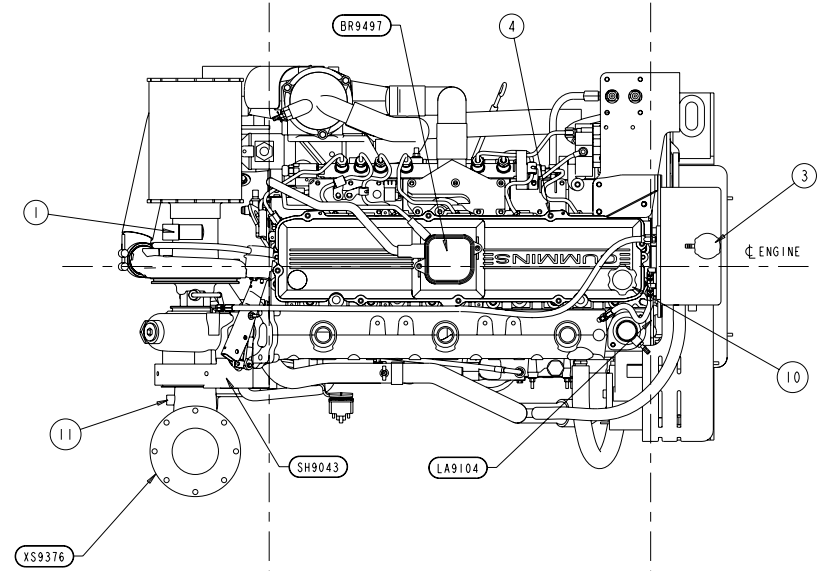
THIS DRAWING/DATA FILE (AND THE INFORMATION SHOWN THEREON) IS CONFIDENTIAL AND PROPRIETARY AND SHALL NOT BE USED, DISCLOSED TO OTHERS, OR REPRODUCED BY ANY MEANS FOR ANY PURPOSE IN HARD COPY FORM OR IN MACHINE READABLE FILES, WITHOUT WRITTEN CONSENT OF CUMMINS INC., MARKETING CAD SERVICES DEPARTMENT.

LAST SECTION LETTER USED: <b>B</b>	REF. DRAWING STANDARDS: ANSI Y14.5M ISO 81101	ITEM NAME <b>CUMMINS INC.</b>
UNLESS OTHERWISE SPECIFIED DIMENSIONS ARE IN: MILLIMETERS 1 7 ARE IN: INCHES	IDENTIFIER <b>QSL9-KC TIER 3</b>	SIZE CODE (IDENT. NO.) <b>J</b>
DWN: J. HANSEN CHD: UNCHECKED APPD:	ITEM NUMBER <b>4954093</b>	ITEM CONTROL: MCS
	SCALE: 1:15	SHEET 2 OF 3



ITEM NUMBER  
4954093

REVISIONS			
ZONE	REV	DESCRIPTION	APP'D
01		PER REQUEST 12207	



ENGINE SERVICE TEST PORTS

1 AIR INLET RESTRICTION: 1/8-27 NPT	8 ENGINE OIL DRAIN FRONT: M18 X 1.5	14 SEA WATER INLET RESTRICTION: N/A
2 BLOW-BY CONNECTION: Ø19.1 [0.75] O.D.	9 ENGINE OIL DRAIN REAR: N/A	15 SEA WATER OUTLET PRESSURE: N/A
3 COOLANT FILL: F8	10 ENGINE OIL FILL: 29.5 [1.16], F8	16 TURBO BOOST PRESSURE: MB X 1.25
4 COOLANT PRESSURE SIDE: 1/2 NPT	11 EXHAUST TEMPERATURE/BACK PRESSURE: 1/8 NPT	17 VENT PETCOCK: 1/8 NPT
5 COOLANT SUCTION SIDE: 3/4 NPT	12 FUEL INLET RESTRICTION: M10	18 ZINC ANODE: N/A
6 COOLANT TEMPERATURE: M14 X 1.5	13 FUEL RETURN PRESSURE: 1/4 NPT	19 LTA COOLANT INLET PRESSURE/TEMP: 1/8 NPT
7 ENGINE LUBRICATION OIL PRESSURE: M10 X 1.0		20 LTA COOLANT OUTLET PRESSURE/TEMP: 1/8 NPT

CONFIGURATION D563023MX03  
 PRODUCT GRAPHICS FILE  
 NO ORIGINAL DRAWING EXISTS FOR THIS ITEM. THE ENGINEERING GRAPHICS DATA FOR THIS ITEM RESIDES IN THE PRODUCT GRAPHICS FILE AND IS CONTROLLED BY THE AGENCY DESIGNATED AS HAVING ITEM CONTROL.

LAST SECTION LETTER USED: <b>B</b>	REF. DRAWING STANDARDS: ANSI Y14.5M ISO 81101	ITEM NAME <b>CUMMINS INC.</b>
UNLESS OTHERWISE SPECIFIED DIMENSIONS ARE IN: MILLIMETERS ( ) ARE IN: INCHES	IDENTIFIER INSTALLATION DIAGRAM	ITEM NUMBER 4954093
DWN: J. HANSEN CHD: UNCHECKED APPD: APPD:	SCALE: 1:15	MARKETING CAD SERVICES DEPARTMENT. ITEM CONTROL: MCS SHEET 3 OF 3

DO NOT SCALE THIS DRAWING  
 THIS DRAWING/DATA FILE (AND THE INFORMATION SHOWN THEREON) IS CONFIDENTIAL AND PROPRIETARY AND SHALL NOT BE USED, DISCLOSED TO OTHERS, OR REPRODUCED BY ANY MEANS FOR ANY PURPOSE IN HARD COPY FORM OR IN MACHINE READABLE FILES, WITHOUT WRITTEN CONSENT OF CUMMINS INC., MARKETING CAD SERVICES DEPARTMENT.

