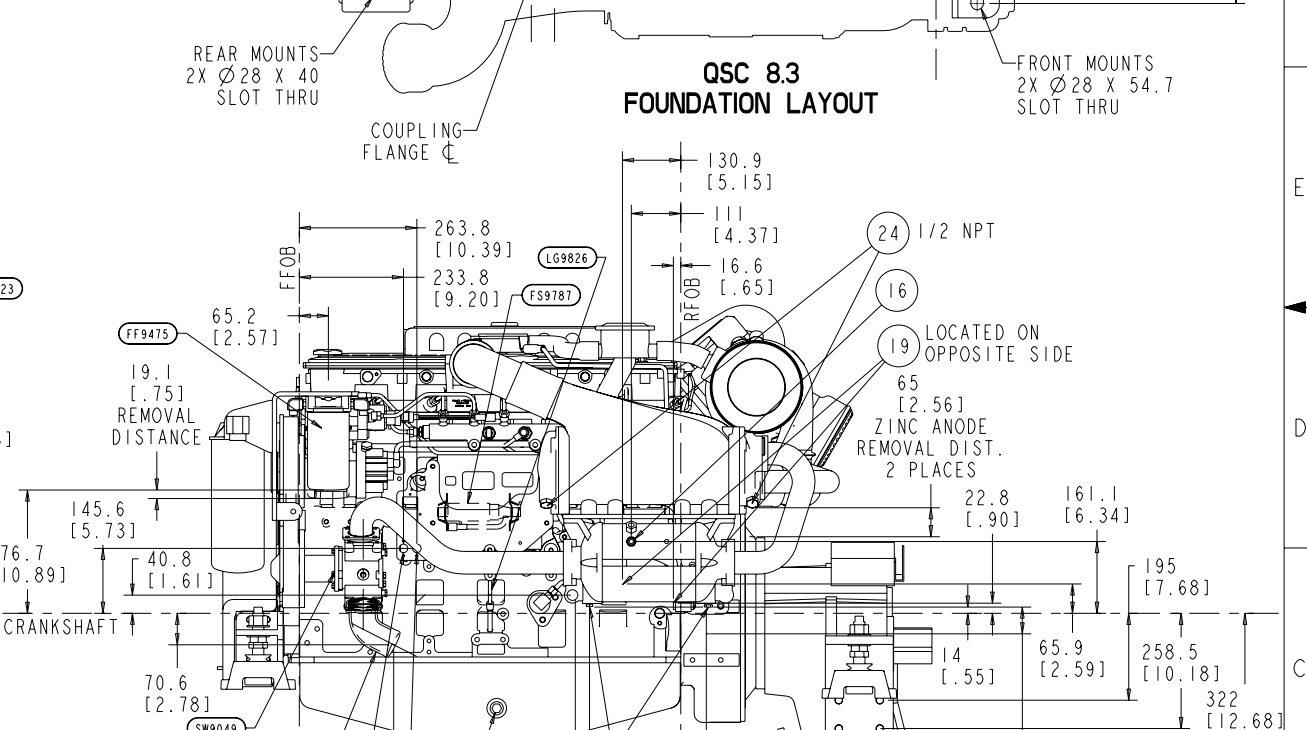
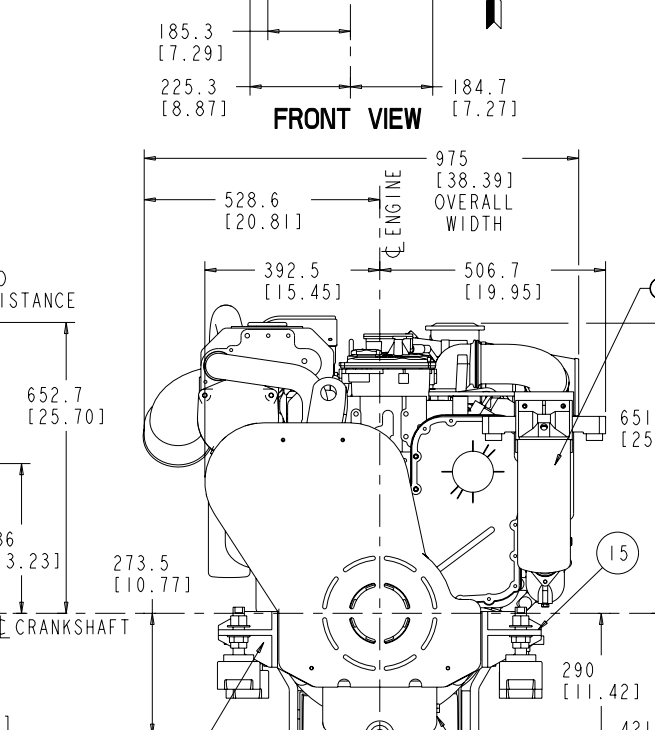
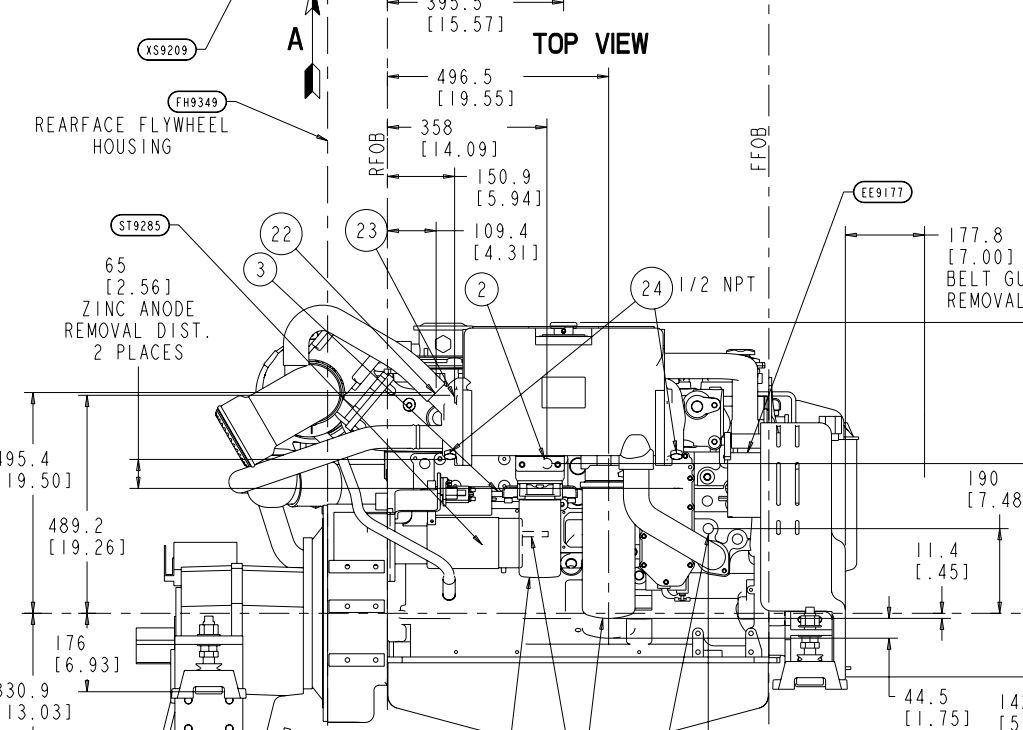
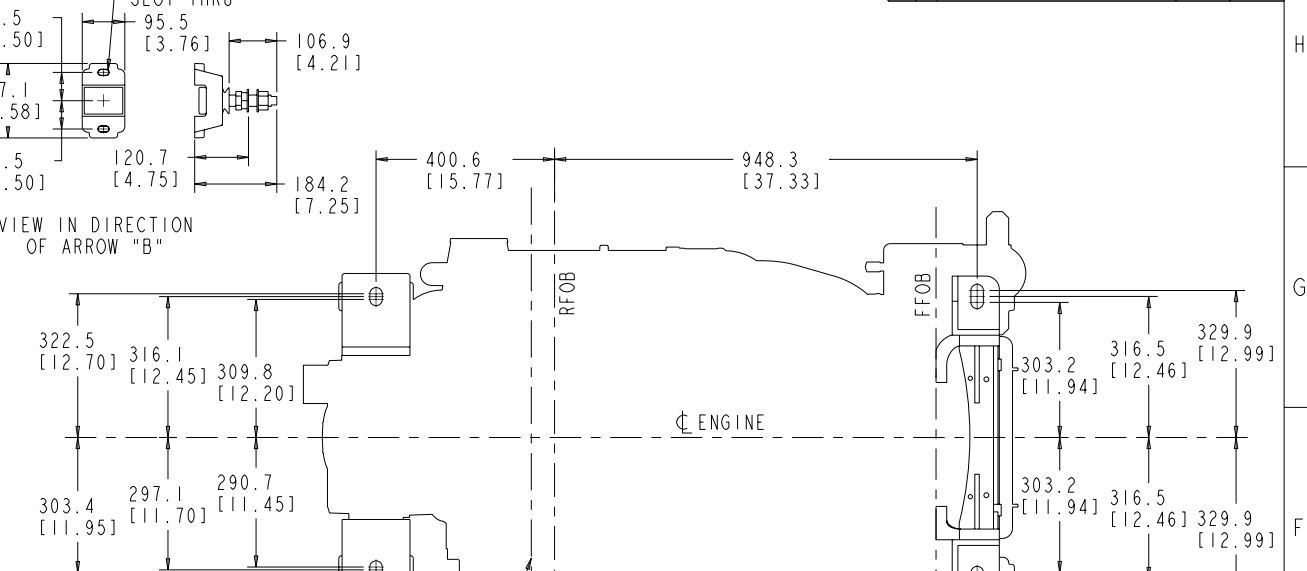
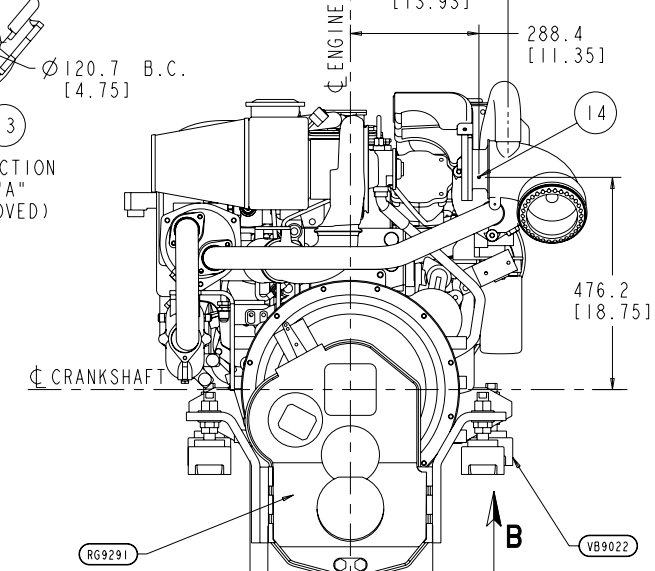
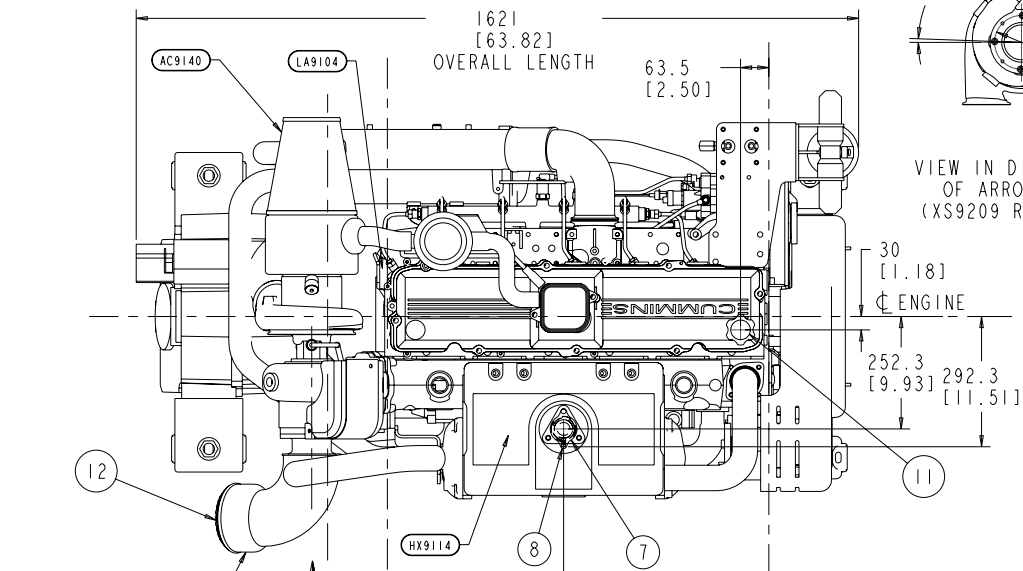


ITEM NUMBER
3170724

REVISIONS		OWN	APP'D
00	QSC 8.3 500-HX W/ZF2801V	4.32.85	



ENGINE SERVICE TEST PORTS/INSTALLATION CONNECTIONS

1 AUXILIARY HEATER RETURN: 3/4 NPT	9 ENGINE OIL DRAIN FRONT: M18 X 1.5	17 FUEL INLET CONNECTION: 7/8-14 UN, 45° FLARE (SAE #10)
2 AUXILIARY HEATER SUPPLY: 3/4 NPT w/ ORIFICE	10 ENGINE OIL DRAIN REAR: 9/16-18 UN	18 GEAR OIL COOLER DRAIN: 3/8 NPT
3 BATTERY CONNECTION (STARTER) (+): M12 X 1.75	11 ENGINE OIL FILL: Ø 38 [1.5]	19 GEAR OIL COOLER INLET AND OUTLET: 1/2 NPT
4 BATTERY CONNECTION (STARTER) (-): M12 X 1.75	12 EXHAUST OUTLET CONNECTION (ELBOW): Ø 152.4 [6.00] O.D.	20 OIL HEATER CONNECTION: M22 X 1.5
5 BATTERY CONNECTION (ECM) (+): 1/4-20 UN	13 EXHAUST OUTLET CONNECTION (TURBO): Ø 66 [2.60] I.D.	21 SEA WATER INLET: Ø 63.5 [2.50]
6 BATTERY CONNECTION (ECM) (-): 1/4-20 UN	14 EXHAUST TEMPERATURE/BACK PRESSURE: 1/8 NPT	22 SEA WATER OUTLET: Ø 50.8 [2.00]
7 COOLANT FILL: Ø 30 [1.18]	15 FRONT ENGINE SUPPORT: 2X Ø 27 [1.06] X 63 [2.48] SLOT	23 SHAFT LOG SEA WATER SUPPLY: 1/4 NPT
8 COOLANT RECOVERY/OVERFLOW CONNECTION: Ø 8.39 [.33]	16 FUEL RETURN TO TANK CONNECTION: 3/4-16 UN, 45° FLARE (SAE #8)	24 ZINC ANODE: 4X 1/2 NPT, 2X 3/8 NPT

DO NOT SCALE THIS DRAWING

THIS DRAWING/DATA FILE (AND THE INFORMATION SHOWN THEREON) IS CONFIDENTIAL AND PROPRIETARY AND SHALL NOT BE USED, DISCLOSED TO OTHERS, OR REPRODUCED BY ANY MEANS FOR ANY PURPOSE IN HARD COPY FORM OR IN MACHINE READABLE FILES, WITHOUT WRITTEN CONSENT OF CUMMINS INC., MARKETING CAD SERVICES DEPARTMENT.

LAST SECTION LETTER USED: A	REF. DRAWING STANDARDS: ANSI Y14.5M ISO 81101	ITEM NAME: QSC 8.3 500-HX W/ZF2801V
UNLESS OTHERWISE SPECIFIED DIMENSIONS ARE IN: MILLIMETERS () ARE IN: INCHES	IDENTIFIER: INSTALLATION DIAGRAM	ITEM NUMBER: 3170724
DWN: UNCHECKED	SCALE: 2:1	ITEM CONTROL: MCS
APPD: UNCHECKED		SHEET 1 OF 1

