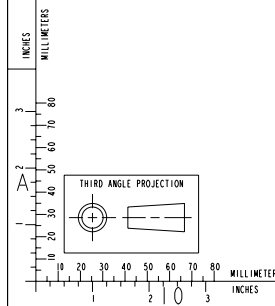


ITEM NUMBER	4954138
<b>OPTIONS LIST</b>	
AC9312	
BR9415	
CH9033	
EE9177	
EH97983	
EM9375	
FF90375	
FH9481	
FW9958	
HC9222	
KC9044	
LA9260	
LF9255	
LG90135	
OB9343	
OC9118	
OP9464	
RD9036	
RG9713	
SA9089	
SH9042	
ST9487	
TB92005	
VC9370	
WI9449	
WO9196	

REVISIONS			
ZONE	REV	DESCRIPTION	APP'D
00	REQUEST	4954138_REV00	WES NELSON



ENGINE SERVICE PORTS/INSTALLATION CONNECTIONS			
1	AUXILIARY HEATER RETURN:	N/A	
2	AUXILIARY HEATER SUPPLY:	N/A	
3	BATTERY CONNECTION (STARTER) (+):	M10 X 1.5	
4	BATTERY CONNECTION (STARTER) (-):	M5 X 0.8	
5	BATTERY CONNECTION (ECM) (+):	4 PIN CONNECTOR	
6	BATTERY CONNECTION (ECM) (-):	4 PIN CONNECTOR	
7	COOLANT FILL:	N/A	
8	COOLANT OVERFLOW TUBE:	N/A	
9	ENGINE OIL DRAIN:	M18 X 1.5	
10	ENGINE OIL FILL:	Ø 32.1 [1.27]	
11	EXHAUST OUTLET CONNECTION (ELBOW):	N/A	
12	EXHAUST OUTLET CONNECTION (TURBO):	4X M8 X 1.25 ∇ 17.8	
13	EXHAUST TEMP. /BACK PRESSURE TEST PORT:	N/A	
14	EXHAUST TEMP. /SW FLOW SENSOR	N/A	
15	FUEL INLET CONNECTION:	7/8-14 (STOR FEMALE)	
16	FUEL INLET TEST PORT:	M10 X 1.0	
17	FUEL RETURN TO TANK CONNECTION:	3/4-16 (STOR FEMALE)	
18	FUEL RETURN TEST PORT:	M10 X 1.0	
19	GEAR OIL COOLER DRAIN:	3/8-18 NPT (OIL COOLER)	
20	GEAR OIL COOLER INLET:	M22 X 1.5	
21	GEAR OIL COOLER OUTLET:	M22 X 1.5	
22	OIL HEATER CONNECTION:	M22 X 1.5	
23	KEEL COOLER INLET:	Ø 50.8 HOSE BEAD	
24	KEEL COOLER OUTLET:	Ø 60.325 HOSE BEAD	
25	SHAFT LOG SEA WATER SUPPLY:	1/4 NPT	
26	ZINC ANODE:	2X 1/2-14 NPT	

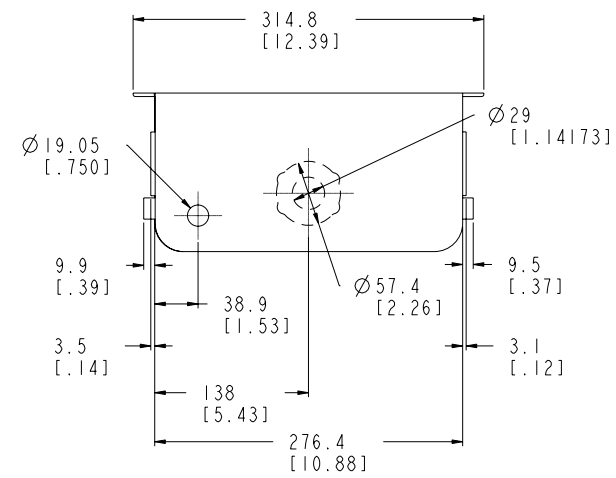
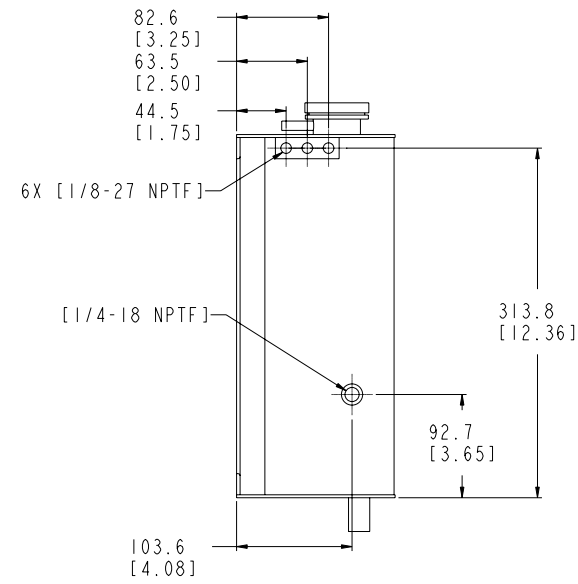
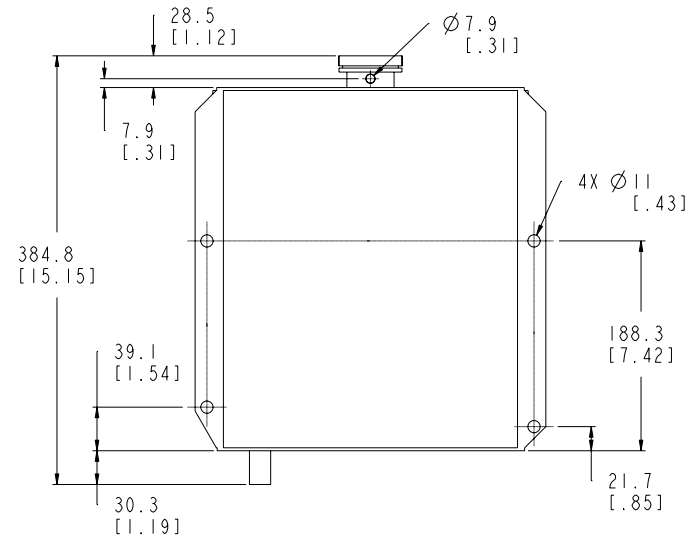
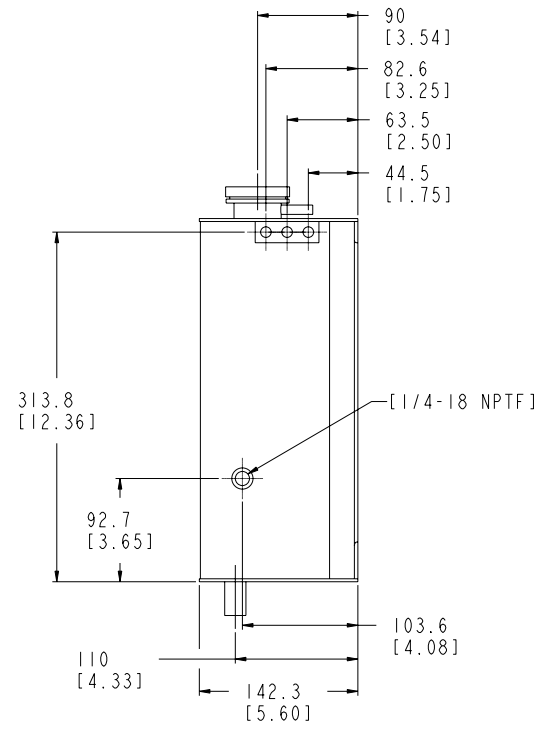
PRODUCT GRAPHICS FILE  
NO ORIGINAL DRAWING EXISTS FOR THIS ITEM. THE ENGINEERING GRAPHICS DATA FOR THIS ITEM RESIDES IN THE PRODUCT GRAPHICS FILE AND IS CONTROLLED BY THE AGENCY DESIGNATED AS HAVING ITEM CONTROL.

LAST SECTION LETTER USED:	B
REF. DRAWING STANDARDS:	ANSI Y14.5M ISO 81101
UNLESS OTHERWISE SPECIFIED DIMENSIONS ARE IN: MILLIMETERS ( ) ARE IN: INCHES	
DWN	MCS-NL500
CHK	UNCHECKED
APPD	WTB27
ITEM NAME	CUMMINS INC.
IDENTIFIER	QSB 6.7L W/ ZF 280-1
SIZE CODE (IDENT. NO.)	J
ITEM NUMBER	4954138
SCALE: 1:15 & NOTED	ITEM CONTROL: MCS
SHEET 1 OF 2	

DO NOT SCALE THIS DRAWING  
THIS DRAWING/DATA FILE (AND THE INFORMATION SHOWN THEREON) IS CONFIDENTIAL AND PROPRIETARY AND SHALL NOT BE USED, DISCLOSED TO OTHERS, OR REPRODUCED BY ANY MEANS FOR ANY PURPOSE IN HARD COPY FORM OR IN MACHINE READABLE FILES, WITHOUT WRITTEN CONSENT OF CUMMINS INC., MARKETING CAD SERVICES DEPARTMENT.

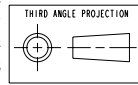
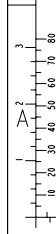
ITEM NUMBER  
4954138

REVISIONS			
ZONE	REV	DESCRIPTION	APP'D
00		REQUEST 4954138_REV00	MCS NLS00 JMW27 15JUL00



RC9044  
OFF ENGINE MOUNTED  
AUXILIARY TANK

INCHES  
MILLIMETERS



DO NOT SCALE THIS DRAWING

THIS DRAWING/DATA FILE (AND THE INFORMATION SHOWN THEREON) IS CONFIDENTIAL AND PROPRIETARY AND SHALL NOT BE USED, DISCLOSED TO OTHERS, OR REPRODUCED BY ANY MEANS FOR ANY PURPOSE IN HARD COPY FORM OR IN MACHINE READABLE FILES, WITHOUT WRITTEN CONSENT OF CUMMINS INC., MARKETING CAD SERVICES DEPARTMENT.

PRODUCT GRAPHICS FILE  
NO ORIGINAL DRAWING EXISTS FOR THIS ITEM. THE ENGINEERING GRAPHICS DATA FOR THIS ITEM RESIDES IN THE PRODUCT GRAPHICS FILE AND IS CONTROLLED BY THE AGENCY DESIGNATED AS HAVING ITEM CONTROL.

LAST SECTION LETTER USED: <b>B</b>	REF. DRAWING STANDARDS: ANSI Y14.5M ISO 81101	<b>CUMMINS INC.</b>	
UNLESS OTHERWISE SPECIFIED DIMENSIONS ARE IN: MILLIMETERS ( ) ARE IN: INCHES	ITEM NAME QSB 6.7L W/ ZF 280-1	IDENTIFIER INSTALLATION DIAGRAM	
DWN: MCS-NLS00	JMW27	SIZE CODE IDENT. NO.	ITEM NUMBER
CHD: UNCHECKED			4954138
APPD: WT027	15JUL00	SCALE: 1:15 & NOTES	ITEM CONTROL: MCS
			SHEET 2 OF 2