

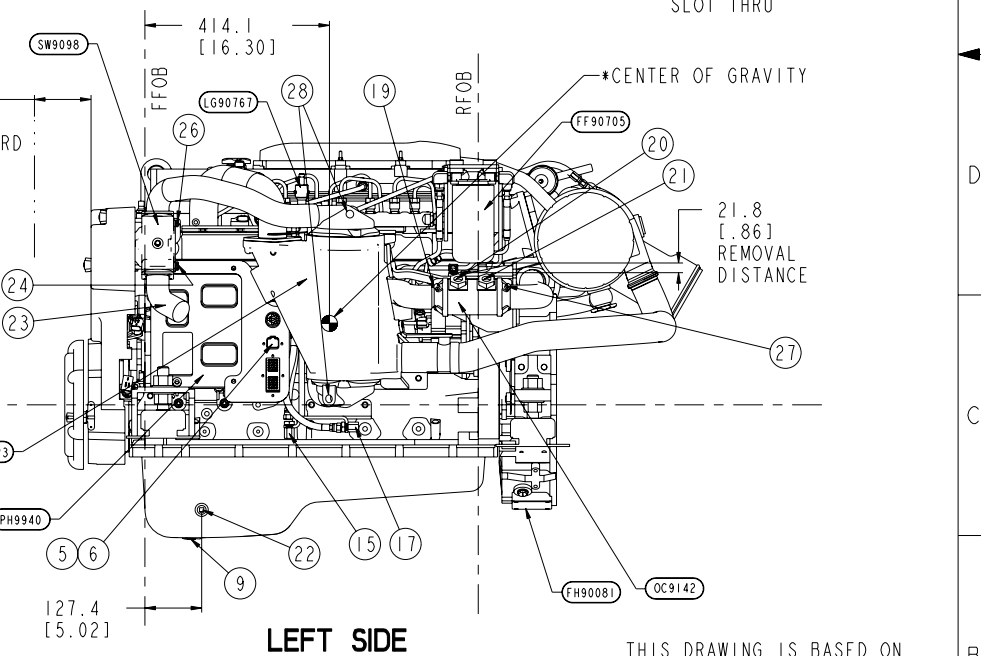
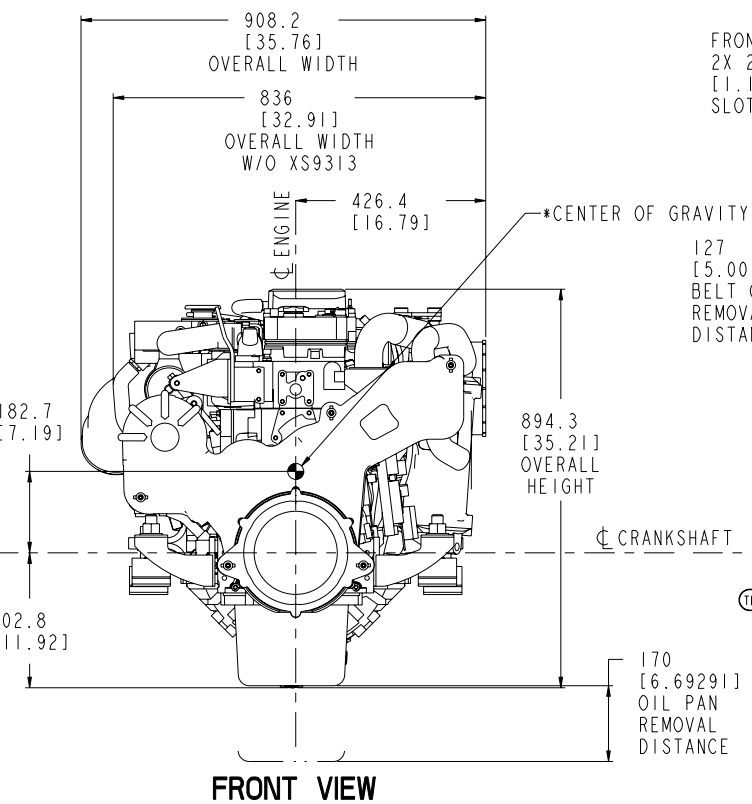
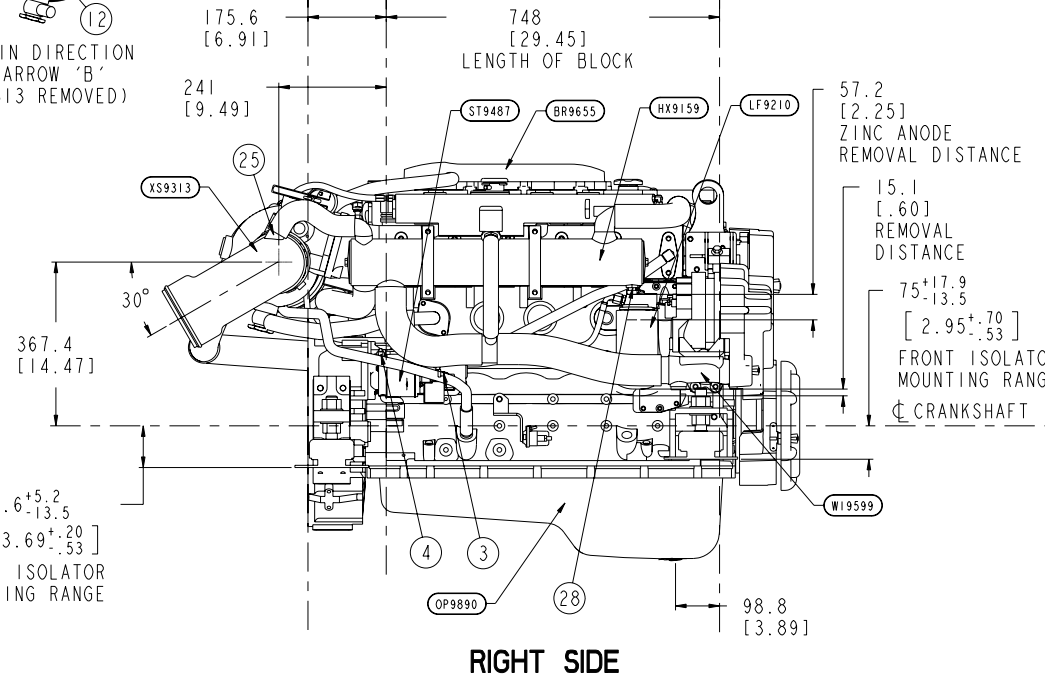
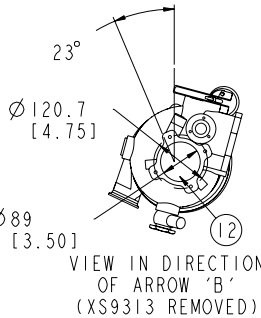
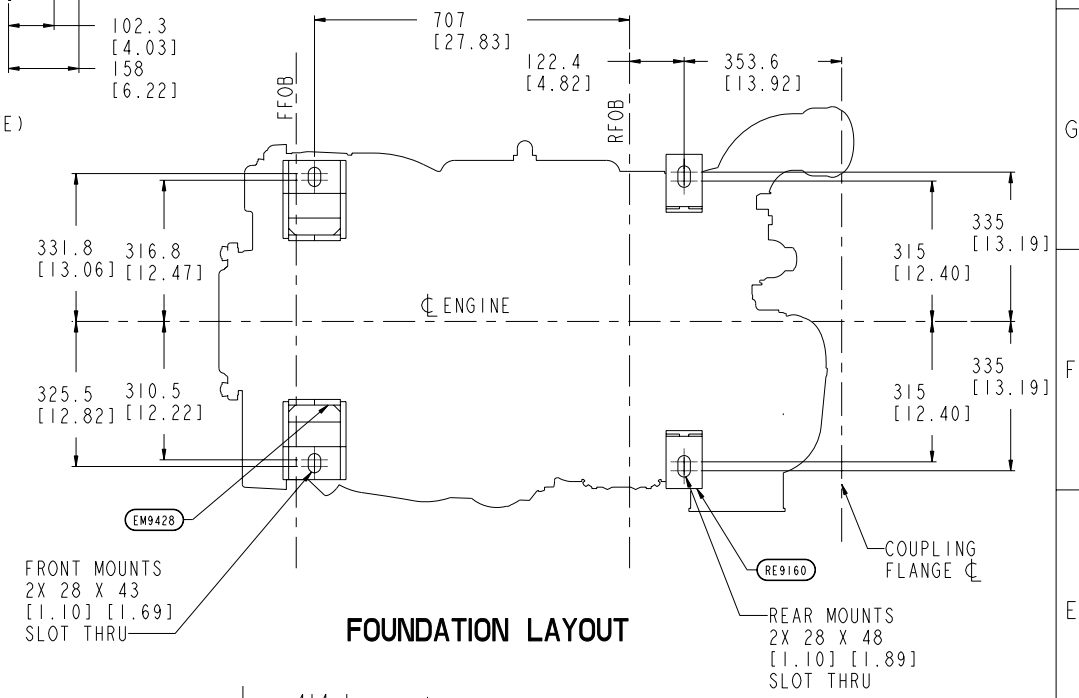
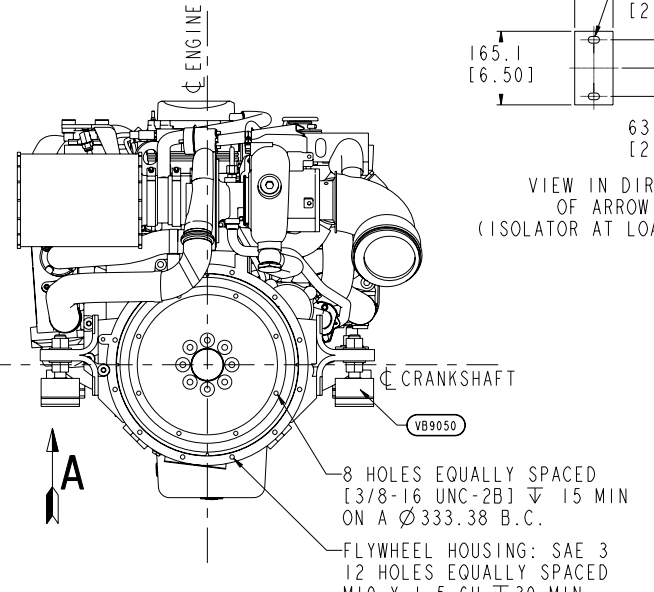
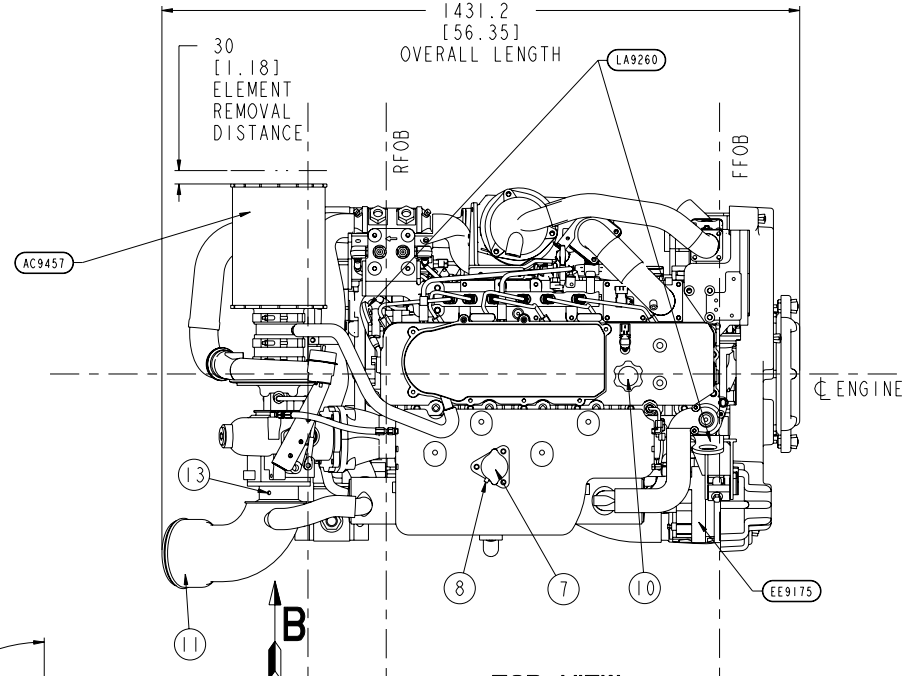
ITEM NUMBER
4361006

OPTIONS LIST

- AC9457
- BR9655
- EE9175
- EM9428
- FF90705
- FH90081
- FW9958
- HX9159
- LA9260
- LF9210
- LG90767
- OC9142
- OP9890
- PH9940
- RE9160
- ST9487
- SW9098
- TB92523
- VB9050
- WI9599
- XS9313

REVISIONS		OWN	APP'D
ZONE	REV	DESCRIPTION	DATE
00	RELEASED		

NOTE:
1. DUE TO OPTION DIFFERENCES, CG DATA IS APPROXIMATE.
2. THIS DRAWING DEPICTS SL MOUNTS



ENGINE SERVICE TEST PORTS/INSTALLATION CONNECTIONS			
1 AUXILIARY HEATER RETURN:	N/A	11 EXHAUST OUTLET CONNECTION (ELBOW):	Ø152.4 [6.00] O.D.
2 AUXILIARY HEATER SUPPLY:	N/A	12 EXHAUST OUTLET CONNECTION (TURBO):	4X M8 X 1.25 ∇ 17.8
3 BATTERY CONNECTION (STARTER) (+):	M10 X 1.5	13 EXHAUST TEMP. /BACK PRESSURE TEST PORT:	1/4-18 NPT
4 BATTERY CONNECTION (STARTER) (-):	M10 X 1.5	14 EXHAUST TEMP. /SW FLOW SENSOR	N/A
5 BATTERY CONNECTION (ECM) (+):	4 PIN CONNECTOR	15 FUEL INLET CONNECTION:	7/8-14 (STOR FEMALE)
6 BATTERY CONNECTION (ECM) (-):	4 PIN CONNECTOR	16 FUEL INLET TEST PORT:	TEE OFF INLET CONN.
7 COOLANT FILL:	Ø28.4 [1.12]	17 FUEL RETURN TO TANK CONNECTION:	3/4-16 (STOR FEMALE)
8 COOLANT OVERFLOW TUBE:	9.27 I.D. [0.36]	18 FUEL RETURN TEST PORT:	TEE OFF RETURN CONN.
9 ENGINE OIL DRAIN:	M22 X 1.5	19 GEAR OIL COOLER DRAIN:	1/8 NPT
10 ENGINE OIL FILL:	Ø29.8 [1.17]	20 GEAR OIL COOLER INLET:	3/4-16 STOR
		21 GEAR OIL COOLER OUTLET:	3/4-16 STOR
		22 OIL HEATER CONNECTION:	M22 X 1.5
		23 SEA WATER INLET:	Ø50.8 [2.00] O.D.
		24 SEA WATER INLET TEST PORT:	1/4-18 NPT
		25 SEA WATER OUTLET:	Ø38.1 [1.5] O.D.
		26 SEA WATER OUTLET TEST PORT:	1/4-18 NPT
		27 SHAFT LOG SEA WATER SUPPLY:	1/8 NPT
		28 ZINC ANODE:	4X 1/2-14 NPT

THIS DRAWING IS BASED ON CONFIGURATION D31301MX03

PRODUCT GRAPHICS FILE
NO ORIGINAL DRAWING EXISTS FOR THIS ITEM. THE ENGINEERING GRAPHICS DATA FOR THIS ITEM RESIDES IN THE PRODUCT GRAPHICS FILE AND IS CONTROLLED BY THE AGENCY DESIGNATED AS HAVING ITEM CONTROL.

LAST SECTION LETTER USED:		REF. DRAWING STANDARDS:	CUMMINS INC.	
:		ANSI Y14.5M ISO 81101	ITEM NAME	
UNLESS OTHERWISE SPECIFIED DIMENSIONS ARE IN: MILLIMETERS () ARE IN: INCHES		IDENTIFIER		
OWN	JPH	DATE	SIZE CODE (CONT. NO.)	ITEM NUMBER
CHD	UNCHECKED	DATE	J	4361006
APPD	RB	DATE	SCALE: N/A	ITEM CONTROL: MCS
APPD		DATE		SHEET 1 OF 1

DO NOT SCALE THIS DRAWING
THIS DRAWING/DATA FILE (AND THE INFORMATION SHOWN THEREON) IS CONFIDENTIAL AND PROPRIETARY AND SHALL NOT BE USED, DISCLOSED TO OTHERS, OR REPRODUCED BY ANY MEANS FOR ANY PURPOSE IN HARD COPY FORM OR IN MACHINE READABLE FILES, WITHOUT WRITTEN CONSENT OF CUMMINS INC., MARKETING CAD SERVICES DEPARTMENT.

