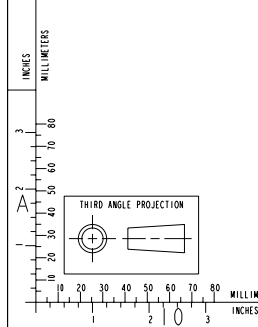


ITEM NUMBER	4954061
OPTIONS LIST	
AC9312	
BR9415	
EE9175	
EM9388	
FF90375	
FH9971	
FW9958	
HX9146	
LA9260	
LF9255	
LG90135	
OC9118	
OP9464	
PH9386	
RG9691	
SA9090	
ST9487	
SW9080	
TB92005	
VB9050	
WI9449	
XS9372	

REVISIONS			
ZONE	REV	DESCRIPTION	APP'D
02	23949		



ENGINE SERVICE TEST PORTS/INSTALLATION CONNECTIONS			
1	AUXILIARY HEATER RETURN:	5/8 BARBED	
2	AUXILIARY HEATER SUPPLY:	5/8 BARBED	
3	BATTERY CONNECTION (STARTER) (+):	M10 X 1.5	
4	BATTERY CONNECTION (STARTER) (-):	M10 X 1.5	
5	BATTERY CONNECTION (ECM) (+):	4 PIN CONNECTOR	
6	BATTERY CONNECTION (ECM) (-):	4 PIN CONNECTOR	
7	COOLANT FILL:	Ø31.2 [1.23]	
8	COOLANT OVERFLOW TUBE:	7.9 I.D. [1.31]	
9	ENGINE OIL DRAIN:	M18 X 1.5	
10	ENGINE OIL FILL:	Ø32.1 [1.27]	
11	EXHAUST OUTLET CONNECTION (ELBOW):	Ø152.4 [6.00] O.D.	
12	EXHAUST OUTLET CONNECTION (TURBO):	4X M8 X 1.25 ∇ 17.8	
13	EXHAUST TEMP. /BACK PRESSURE TEST PORT:	1/4-18 NPT	
14	EXHAUST TEMP. /SW FLOW SENSOR:	N/A	
15	FUEL INLET CONNECTION:	7/8-14 (STOR FEMALE)	
16	FUEL INLET TEST PORT:	M10 X 1.0	
17	FUEL RETURN TO TANK CONNECTION:	3/4-16 (STOR FEMALE)	
18	FUEL RETURN TEST PORT:	M10 X 1.0	
19	GEAR OIL COOLER DRAIN:	3/8 NPT	
20	GEAR OIL COOLER INLET:	M22 X 1.5	
21	GEAR OIL COOLER OUTLET:	M22 X 1.5	
22	OIL HEATER CONNECTION:	M22 X 1.5	
23	SEA WATER INLET:	Ø50.8 [2.00] O.D.	
24	SEA WATER INLET TEST PORT:	1/4-18 NPT	
25	SEA WATER OUTLET:	Ø50.8 [2.00] O.D.	
26	SEA WATER OUTLET TEST PORT:	1/4-18 NPT	
27	SHAFT LOG SEA WATER SUPPLY:	1/4 NPT	
28	ZINC ANODE:	4X 1/2-14 NPT	

CONFIGURATION NUMBER D31301MX03
CUSTOMER PRICING SPEC. PRICEXXX
AS OF XX/XX/XX

PRODUCT GRAPHICS FILE
NO ORIGINAL DRAWING EXISTS FOR THIS ITEM. THE ENGINEERING GRAPHICS DATA FOR THIS ITEM RESIDES IN THE PRODUCT GRAPHICS FILE AND IS CONTROLLED BY THE AGENCY DESIGNATED AS HAVING ITEM CONTROL.

LAST SECTION LETTER USED:		REF. DRAWING STANDARDS: ANSI Y14.5M ISO 81101	ITEM NAME	
UNLESS OTHERWISE SPECIFIED DIMENSIONS ARE IN: MILLIMETERS () ARE IN: INCHES			QSB 6.7L W/ ZF 286 A	
DWN: JHANSEN		CHKD: UNCHECKED	IDENTIFIER	
APPD: UNCHECKED		SCALE: N/A	INSTALLATION DIAGRAM	
APPD: UNCHECKED		ITEM CONTROL: MCS	4954061	
			SHEET 1 OF 1	

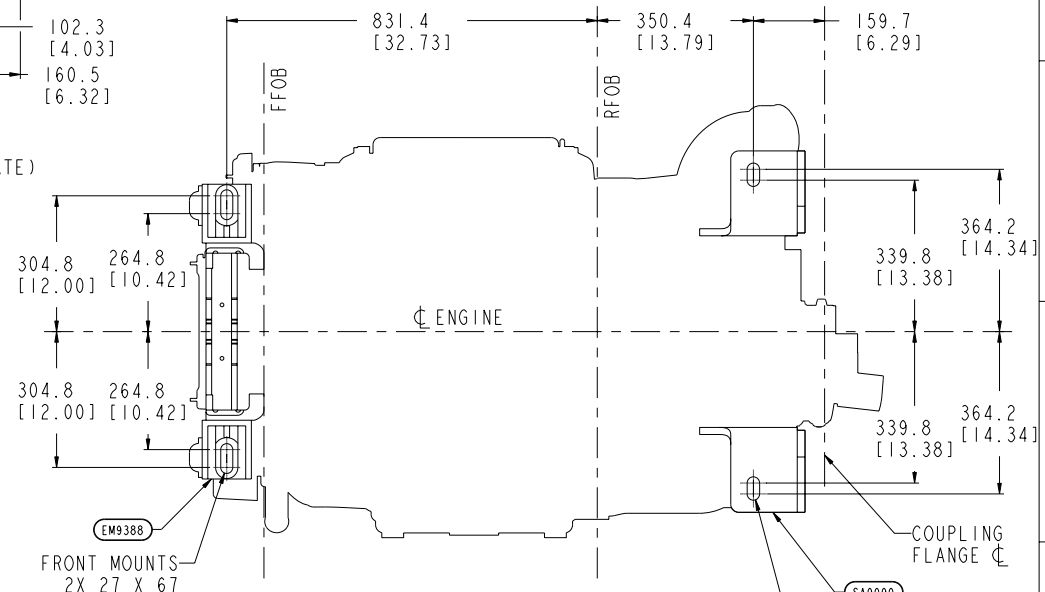
DO NOT SCALE THIS DRAWING
THIS DRAWING/DATA FILE (AND THE INFORMATION SHOWN THEREON) IS CONFIDENTIAL AND PROPRIETARY AND SHALL NOT BE USED, DISCLOSED TO OTHERS, OR REPRODUCED BY ANY MEANS FOR ANY PURPOSE IN HARD COPY FORM OR IN MACHINE READABLE FILES, WITHOUT WRITTEN CONSENT OF CUMMINS INC., MARKETING CAD SERVICES DEPARTMENT.

PORT VIEW

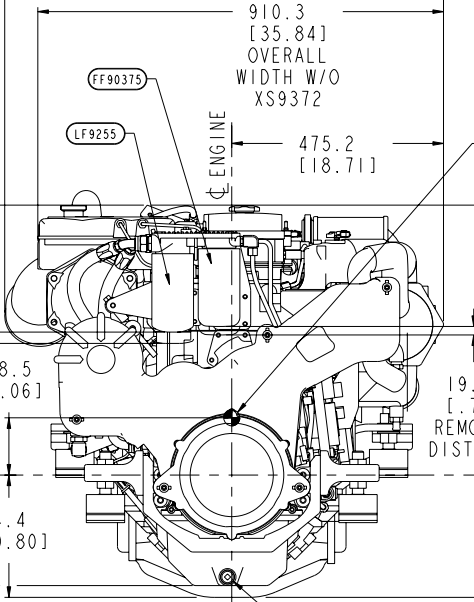
NOTE:
DUE TO OPTION DIFFERENCES,
CG DATA IS APPROXIMATE

*NOTE: CENTER OF GRAVITY INCLUDES GEAR.

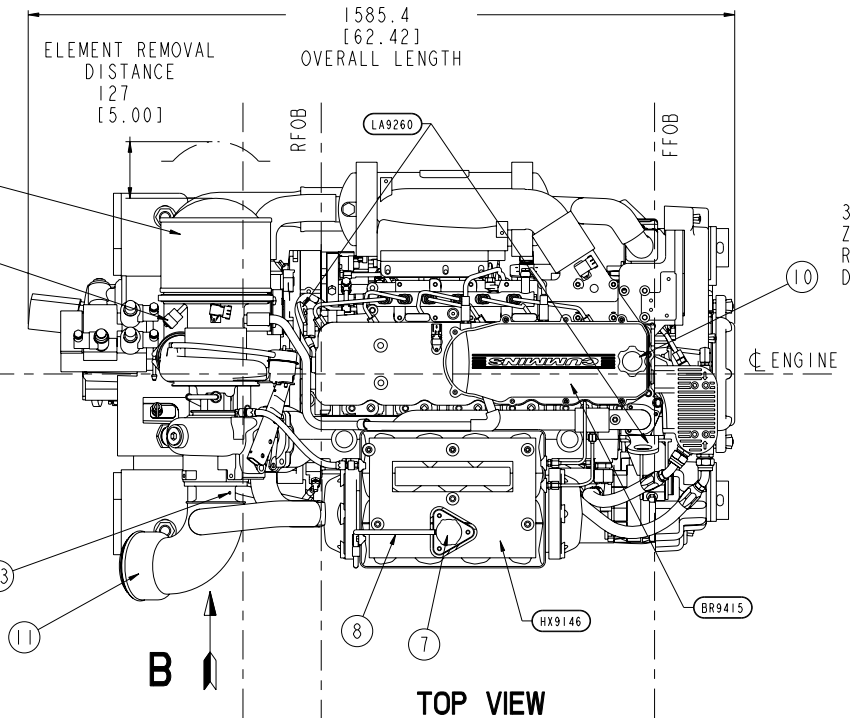
QSB 6.7 FOUNDATION LAYOUT



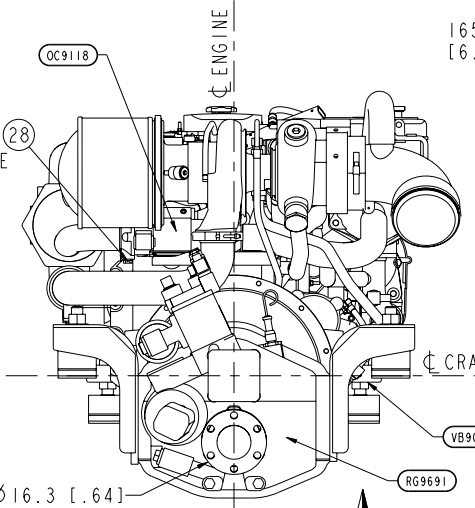
984.6 [38.76] OVERALL WIDTH
910.3 [35.84] OVERALL WIDTH W/O XS9372
475.2 [18.71] *CENTER OF GRAVITY



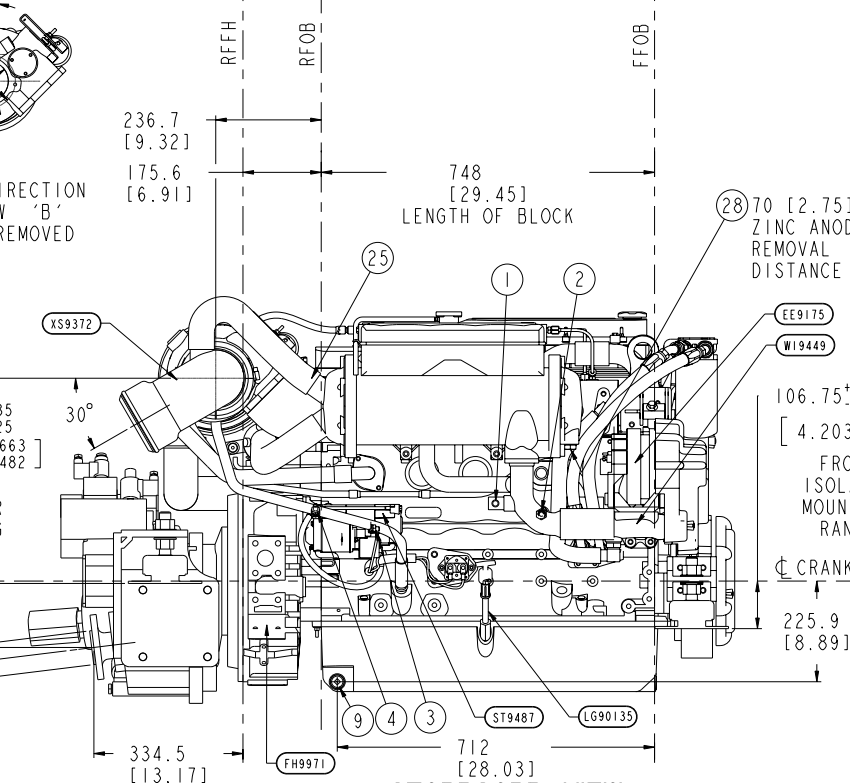
FRONT VIEW



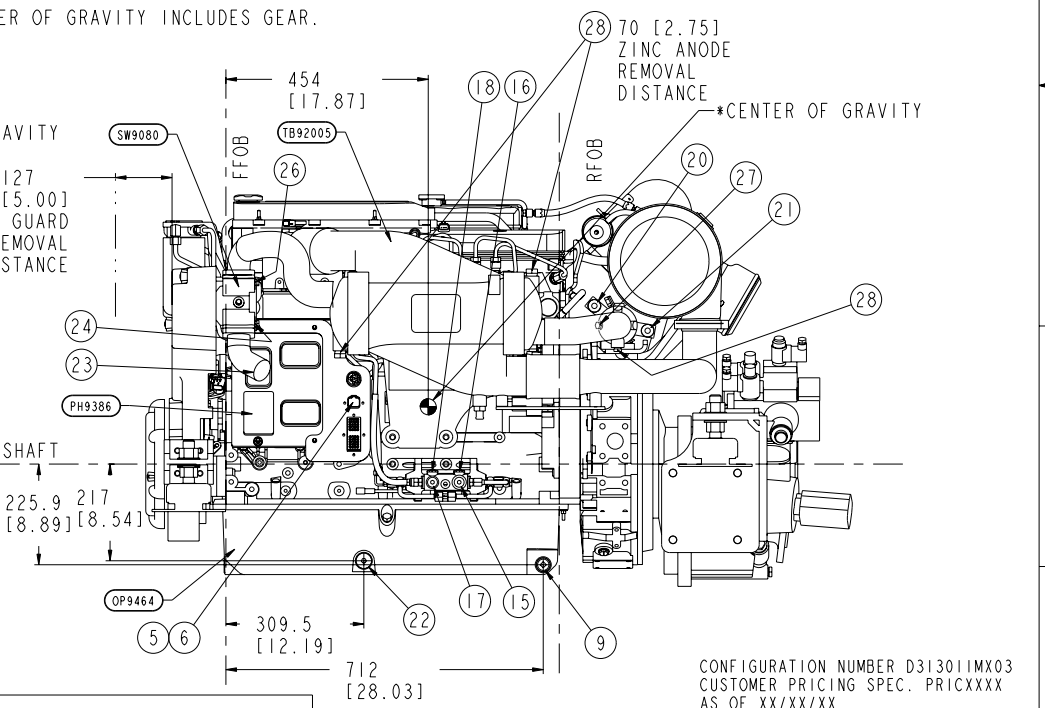
TOP VIEW



REAR VIEW



STARBOARD VIEW



PORT VIEW