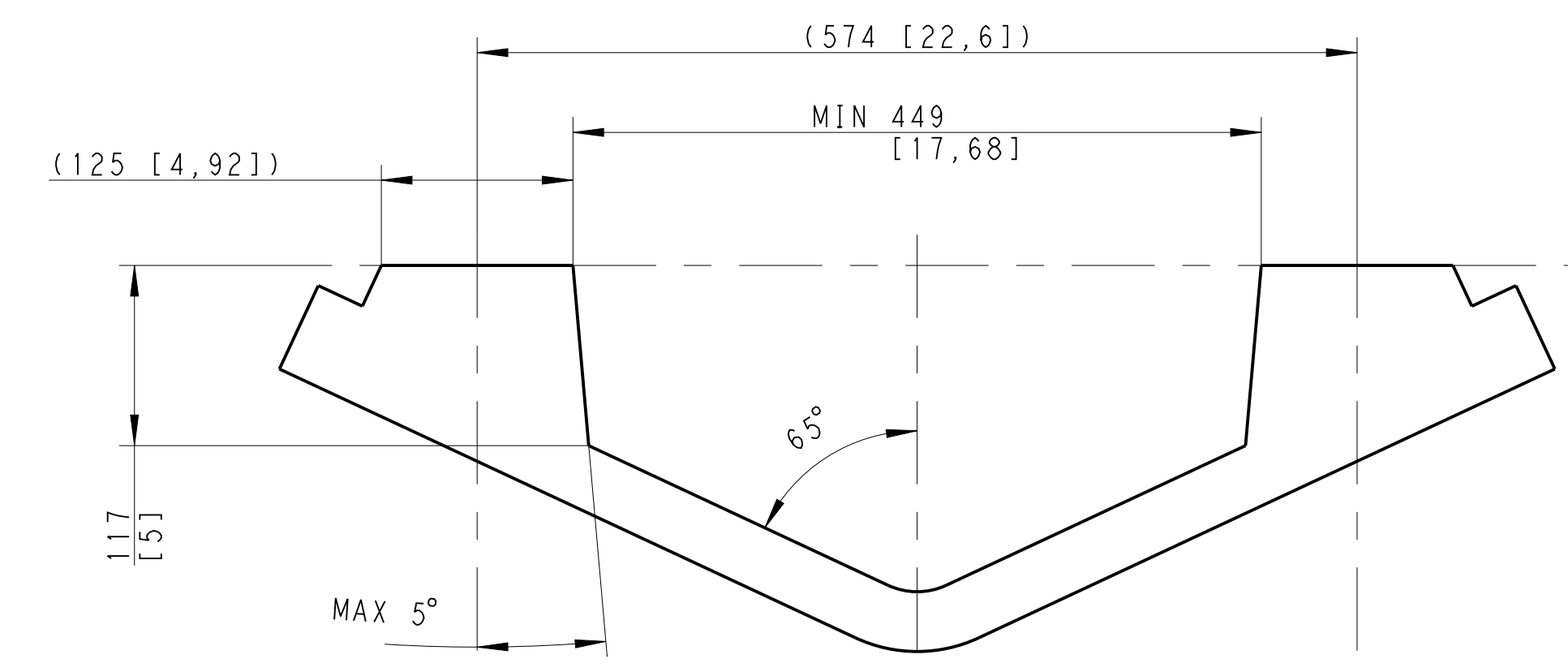
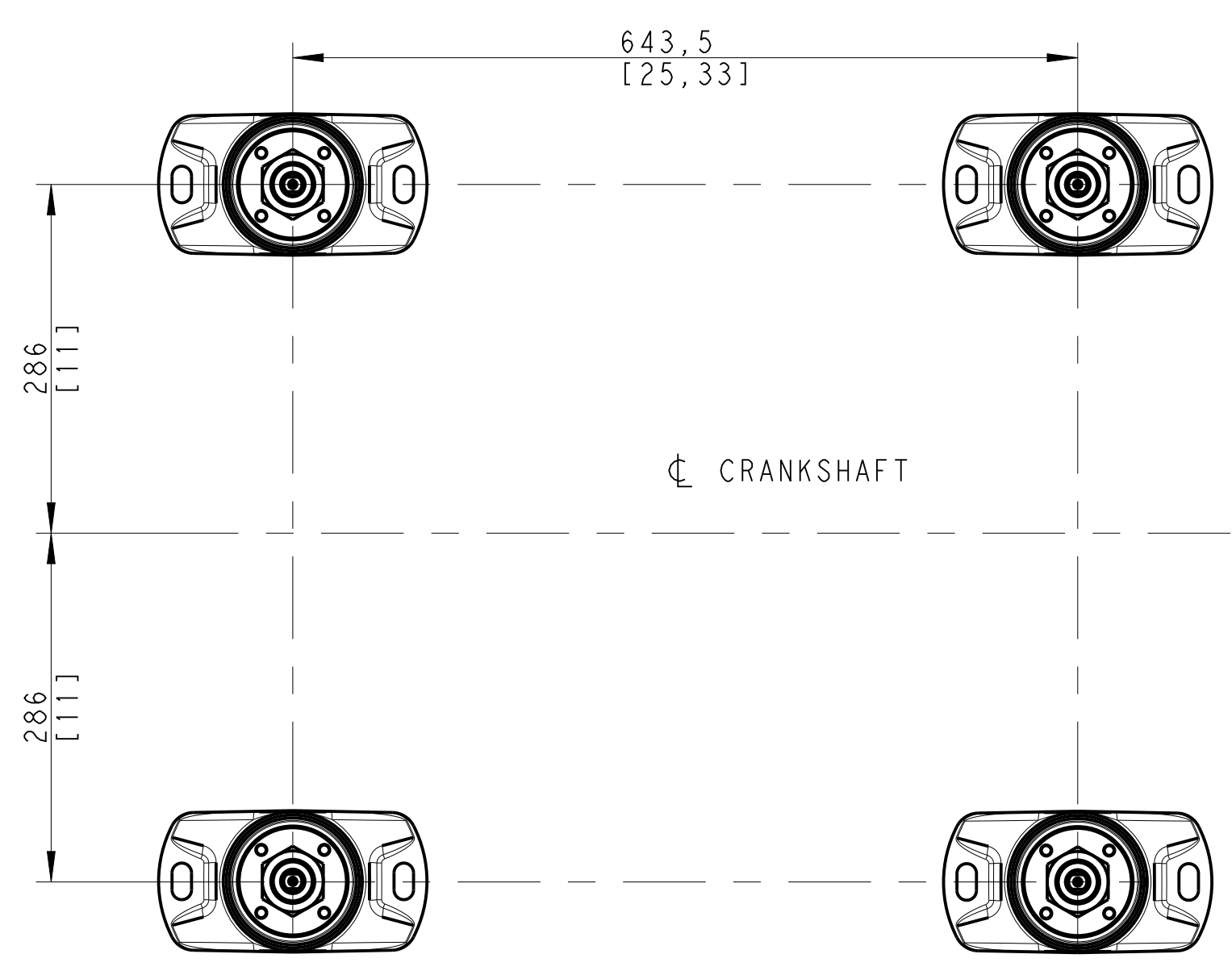
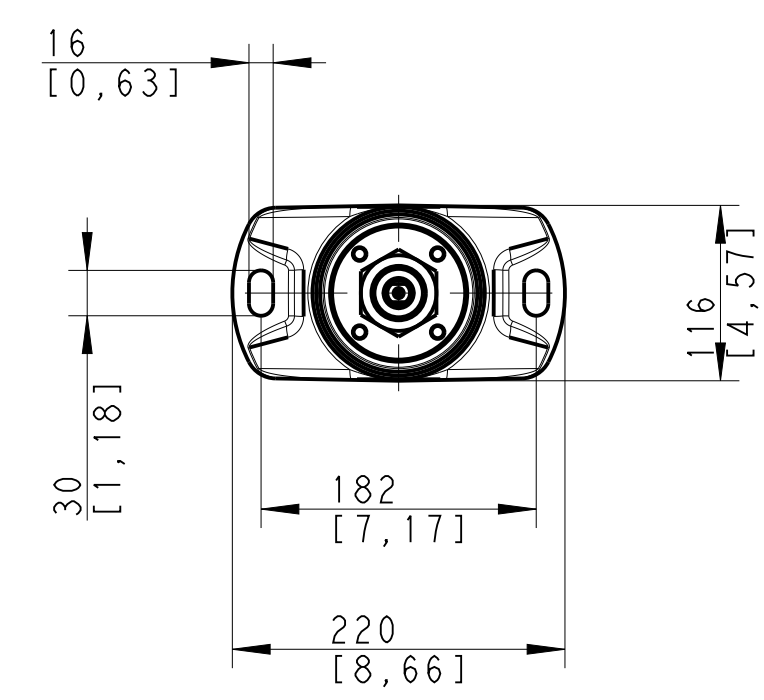
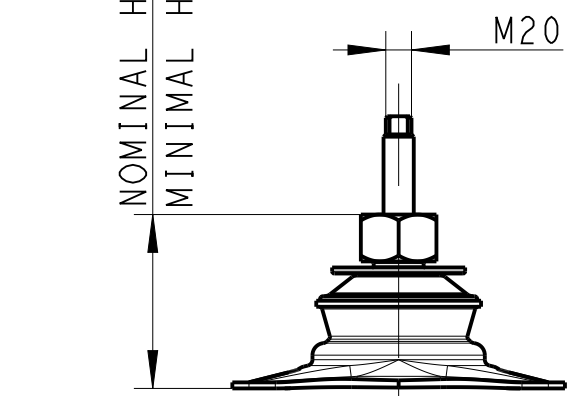


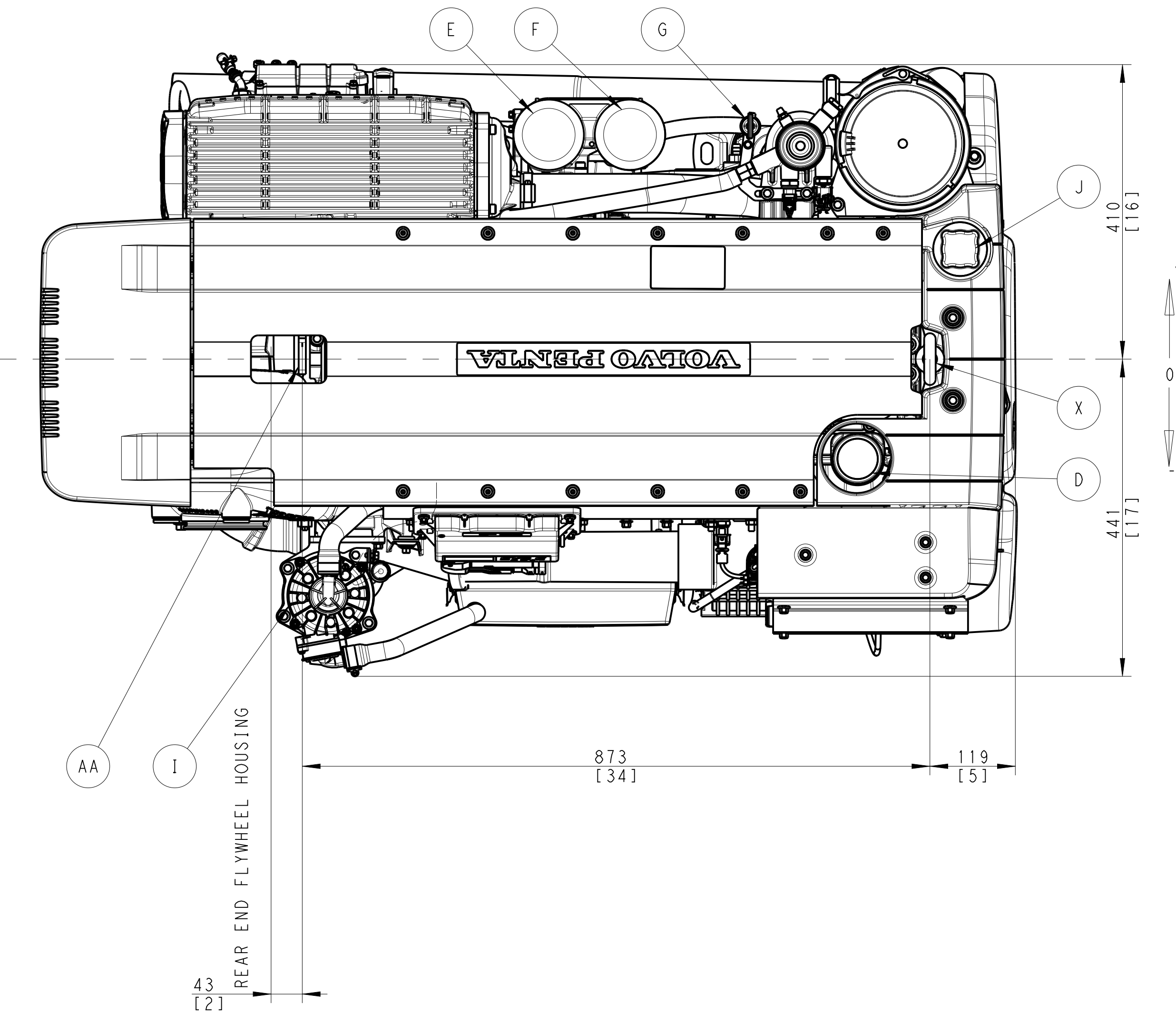
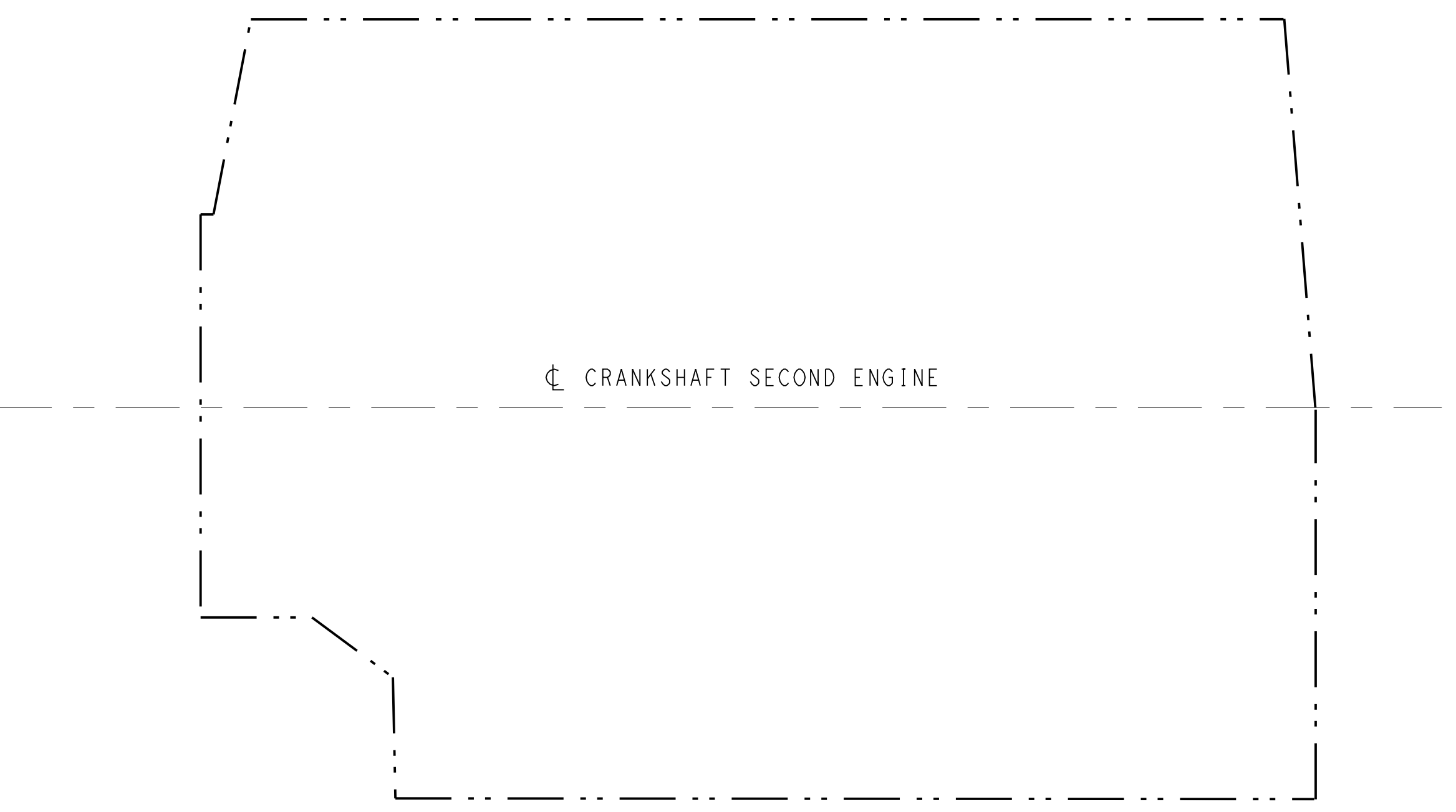
ENGINE FOUNDATION



NOMINAL HEIGHT: 115 mm [4.53] ADJUSTABLE: ±10 mm [0.39]  
 MINIMAL HEIGHT AND MAX COMPRESSION: 99 mm [3.90]



RECOMMENDED MIN DISTANCE  
 TWIN INSTALLATION: 950 mm [37]



A	FUEL CONNECTION INLET. 10mm I.D. HOSE
B	FUEL CONNECTION OUTLET. 10mm I.D. HOSE
C	FUEL FILTER
D	OIL FILLER ENGINE
E	OIL FILTER, MAIN
F	OIL FILTER, BYPASS
G	OIL DIPSTICK ENGINE PORT STANDARD
H	OUTLET FOR OIL BILGE PUMP. 12mm OR [1/2"] I.D. HOSE
I	CRANK CASE VENTILATION FILTER
J	FRESH WATER FILLER
K	FRESH WATER DRAIN POINT
L	CONNECTION HOT WATER INLET R [1/2"] (OPTION)
M	CONNECTION HOT WATER OUTLET R [1/2"] (OPTION)
N	SEA WATER INLET FOR Ø50mm OR [2"] I.D. HOSE
O	SEA WATER DRAIN POINT (2x)
P	SEA WATER PUMP
Q	ECU CONTROL UNIT
R	ENGINE STOP
S	FUSES
T	VOLVO PENTA FACTORY CONNECTION POINT
U	DATALINK, SENDER AND AUX (2x)
V	AIR FILTER
W	ELASTIC SUSPENSION (4x)
X	LIFTING EYE, FRONT, Ø40
AA	LIFTING EYE, REAR, Ø30
COG	CENTER OF GRAVITY

SCALE 1:5

The copying, distribution and utilization of this document as well as the completion of its contents is strictly prohibited without the express written permission of Volvo Penta AB. In the event of a patent, utility model or trademark registration.

Document title: **ENGINE DIMENSIONS**  
 D6-400, D6-440, D6-480

Document type: **ENGINE DIMENSIONS**

Over domain Document prefix: **23243385**

Issue index: **03**

Sheet No: **1(1)**

**VOLVO PENTA**