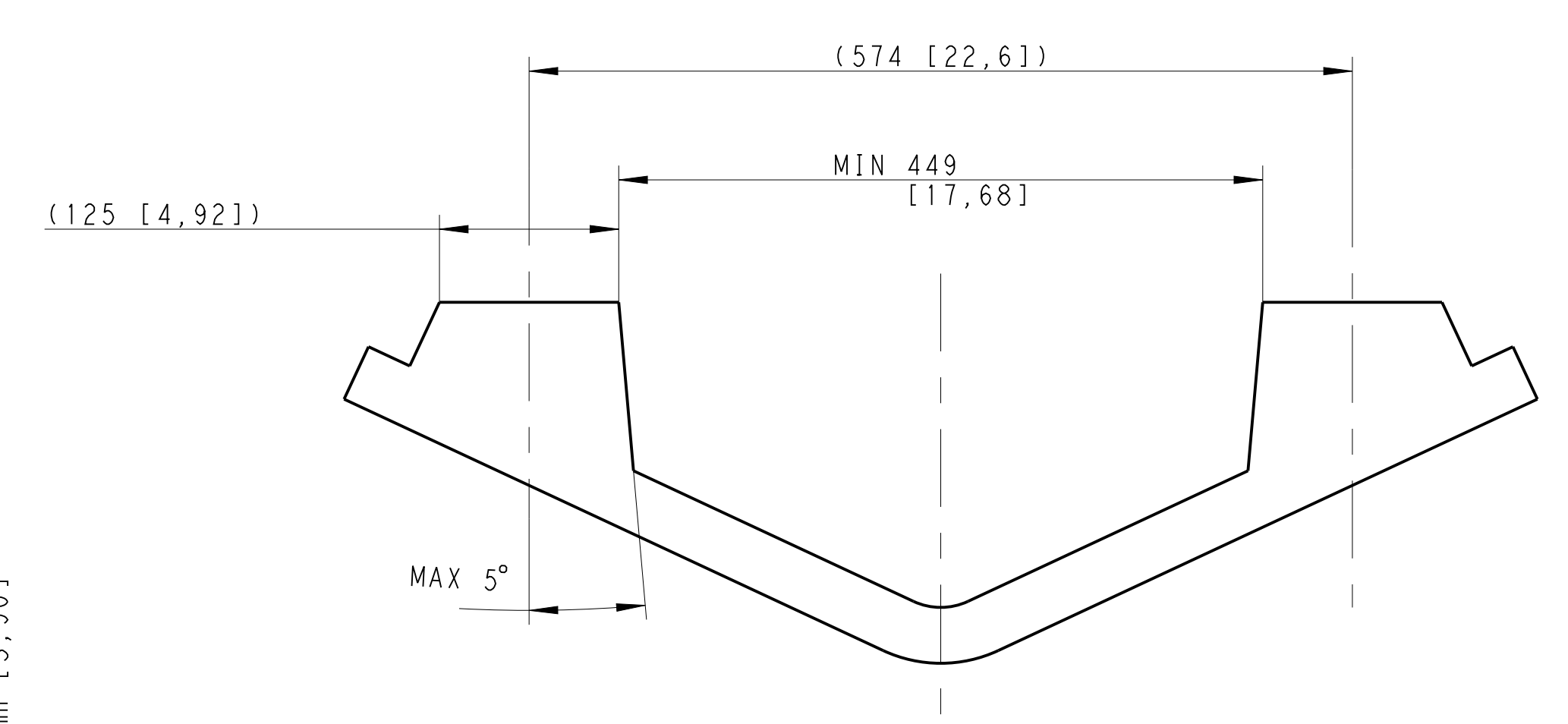
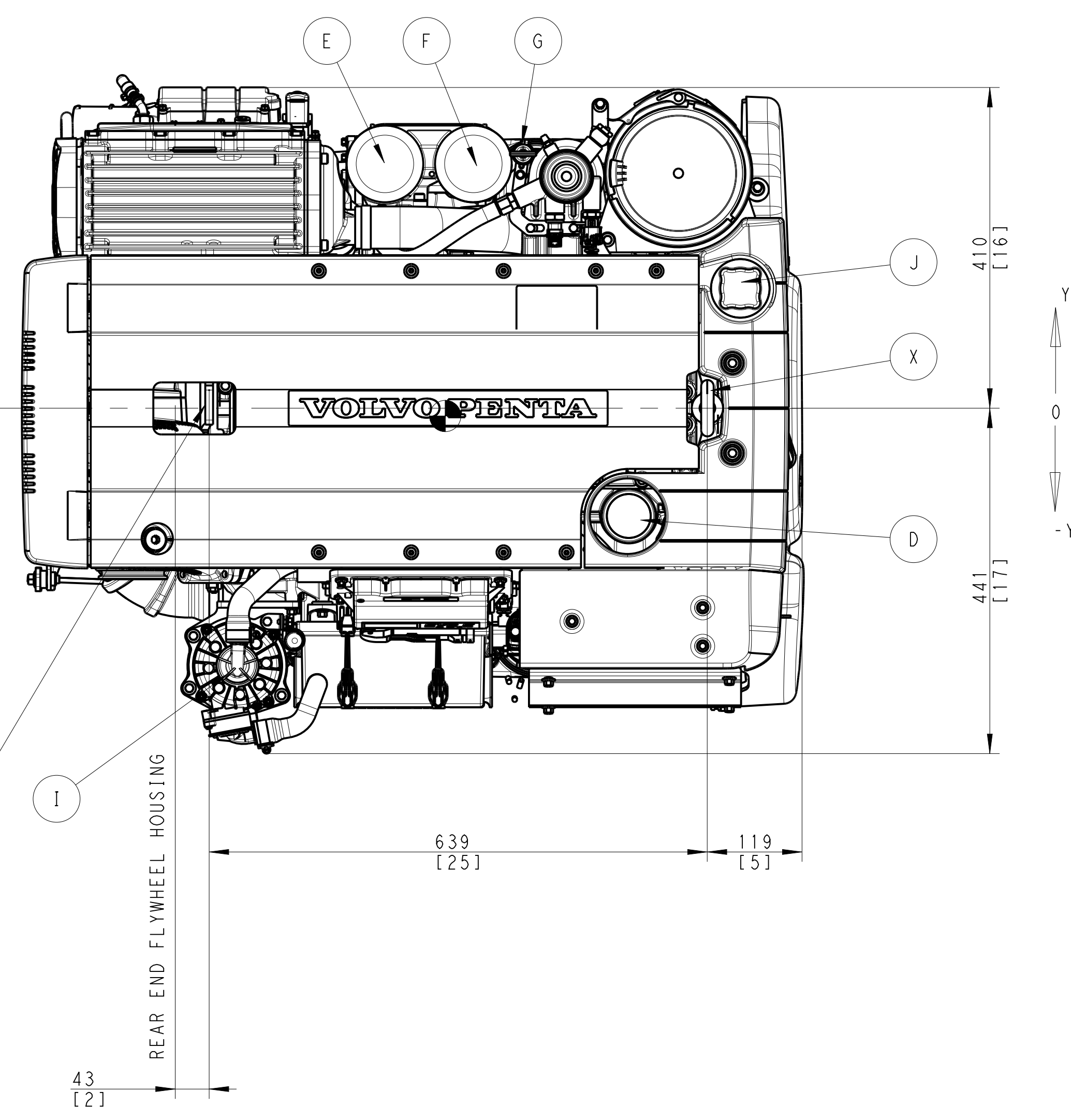
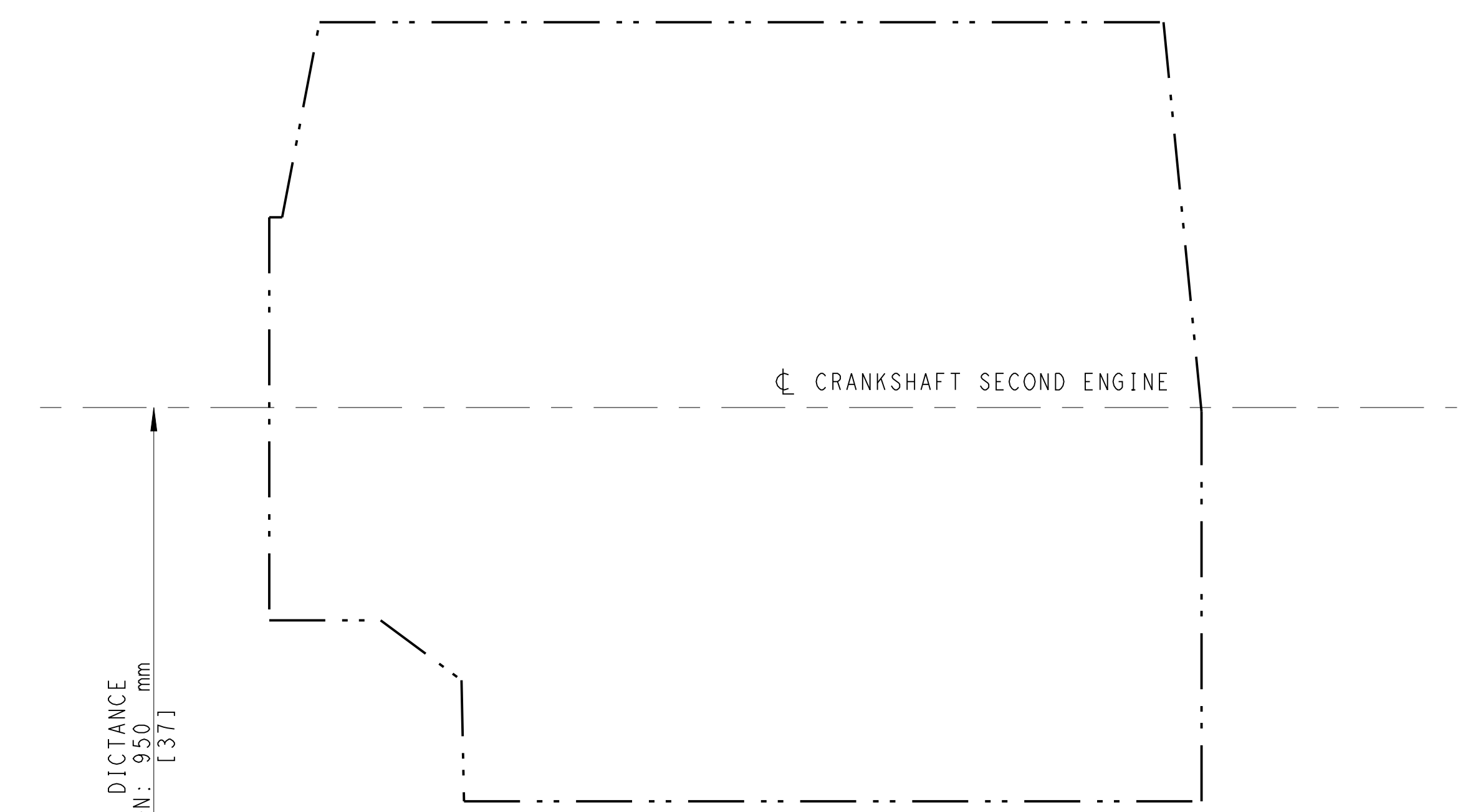
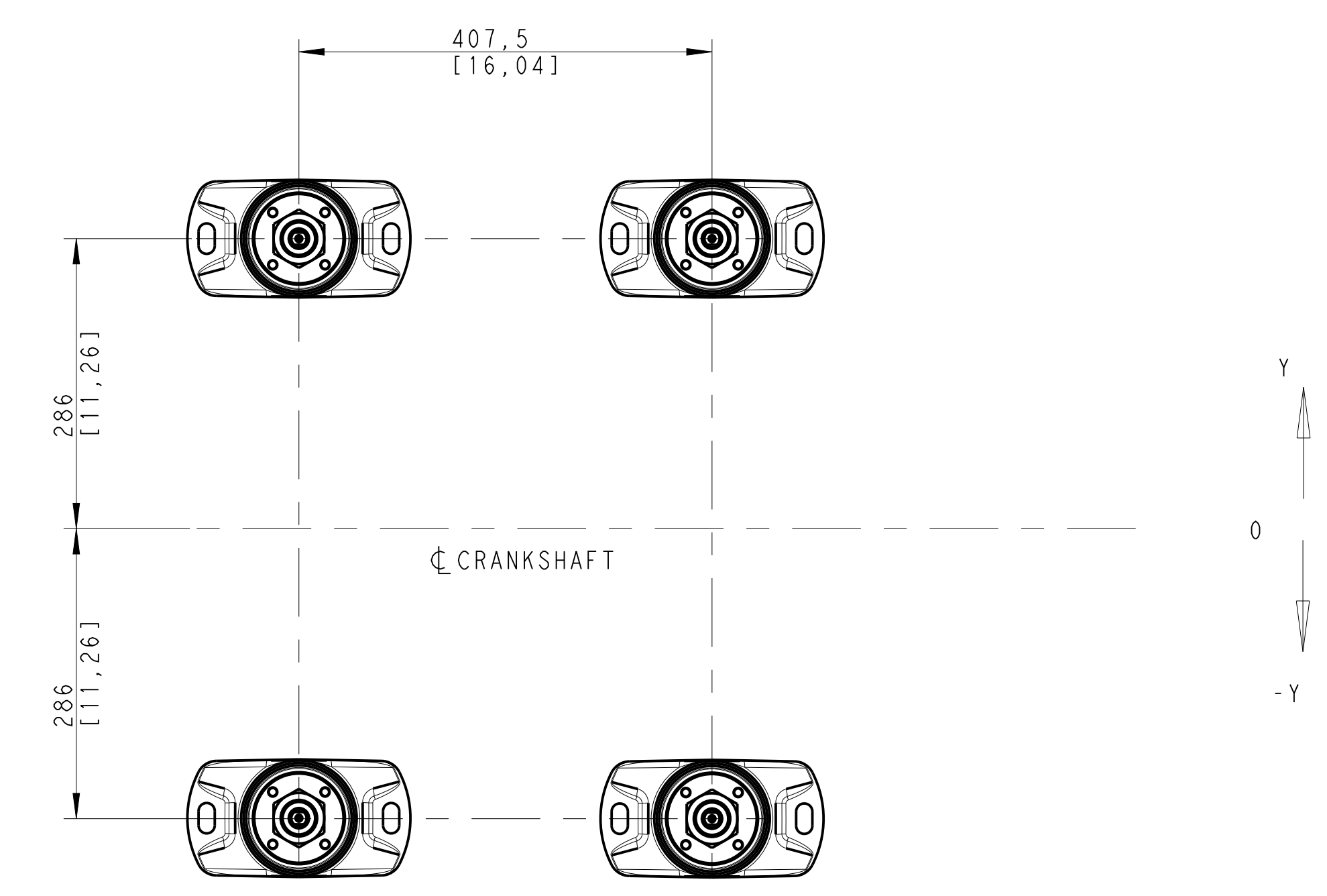
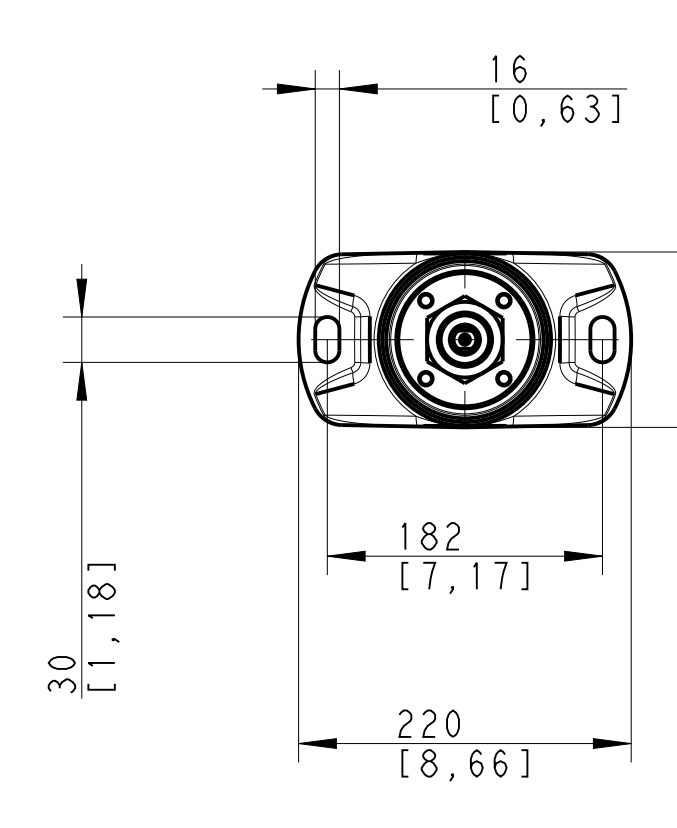
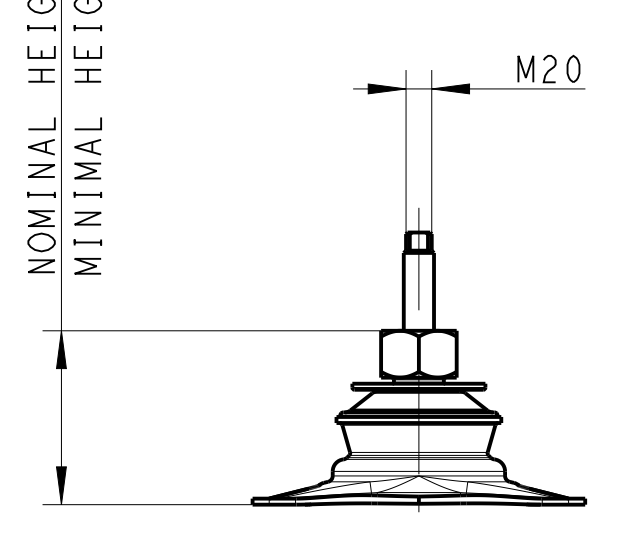


ENGINE FOUNDATION



NOMINAL HEIGHT 115 mm [4.53] ADJUSTABLE ±10 mm [0.39]  
 MINIMAL HEIGHT AND MAX COMPRESSION: 99 mm [3.90]



A	FUEL CONNECTION INLET. 10mm I.D. HOSE
B	FUEL CONNECTION OUTLET. 10mm I.D. HOSE
C	FUEL FILTER
D	OIL FILLER ENGINE
E	OIL FILTER, MAIN
F	OIL FILTER, BYPASS
G	OIL DIPSTICK ENGINE PORT STANDARD
H	OUTLET FOR OIL BILGE PUMP. 13mm OR [1/2"] I.D. HOSE
I	CRANK CASE VENTILATION FILTER
J	FRESH WATER FILLER
K	FRESH WATER DRAIN POINT
L	CONNECTION HOT WATER INLET R [1/2"] (OPTION)
M	CONNECTION HOT WATER OUTLET R [1/2"] (OPTION)
N	SEA WATER INLET FOR Ø50mm OR [2"] I.D. HOSE
O	SEA WATER DRAIN POINT (2x)
P	SEA WATER PUMP
Q	ECU CONTROL UNIT
R	ENGINE STOP
S	FUSES
T	VOLVO PENTA FACTORY CONNECTION POINT
U	DATALINK, SENDER AND AUX (2x)
V	AIR FILTER
W	ELASTIC SUSPENSION (4x)
X	LIFTING EYE, FRONT, Ø40
Y	LIFTING EYE, REAR, Ø30
COG	CENTER OF GRAVITY

SCALE 1:5

SYMBOLS, DESIGNATIONS AND GENERAL DRAWING METHODS STD 101-0005

The copying, distribution and utilization of this document as well as the completion of its contents in other media without the prior written consent of Volvo Penta is prohibited. Volvo Penta reserves the right to amend the content of this document without notice and without liability.

Document title: ENGINE DIMENSIONS  
 Drawing No: 23353384 Issue Index: 03 Sheet No: 1(1)  
**VOLVO PENTA**