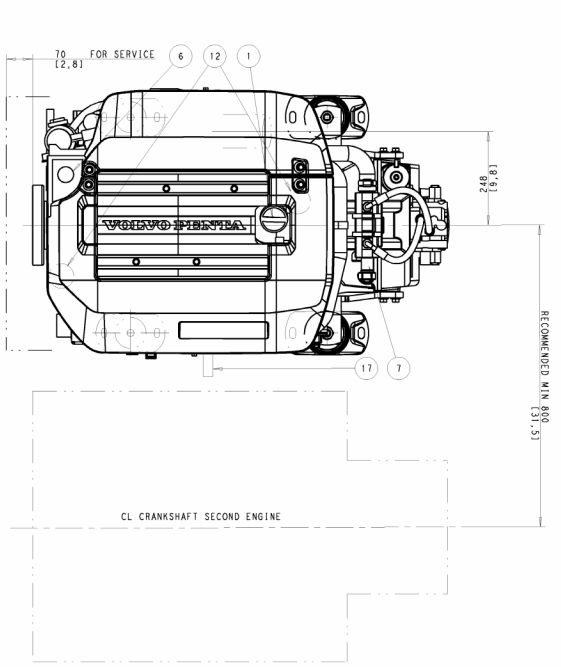
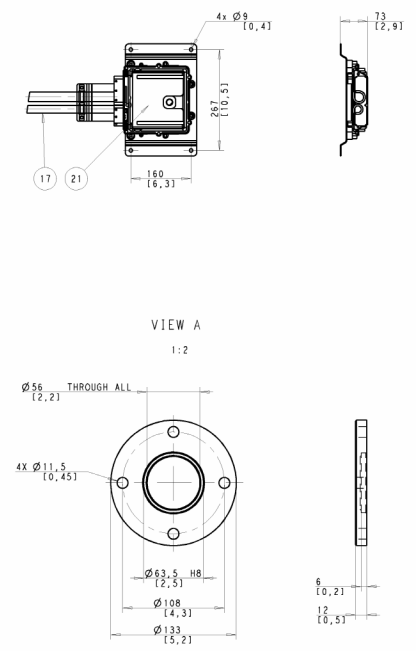


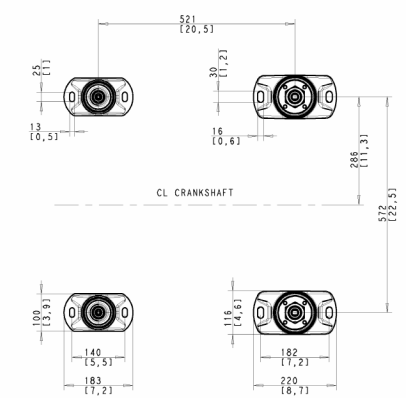
View A



ECU UNIT



VIEW A
1:2



- 1 OIL FILLER CAP, ENGINE
- 2 OIL DIP STICK, ENGINE
- 3 OIL DRAIN (WITH PUMP), ENGINE
- 4 OIL FILTER
- 5 WATER DRAIN, FRESH WATER
- 6 WATER FILLER CAP FRESH WATER
- 7 WATER INLET, SEAWATER I.D. 32, 1.25"
- 8 WATER DRAIN CHARGE AIR COOLER, SEA WATER
- 9 WATER DRAIN HEAT EXCHANGER, SEAWATER
- 10 FUEL FILTER
- 11 AIR FILTER
- 12 LIFTING DEVICE 2x Ø21, 0.83"
- 13 AUTOMATIC FUSE, VOLTAGE CONVERTER
- 14 EXHAUST ELBOW FOR HOSE I.D. 89, {3.5}
- 15 AUX. STOP
- 16 FUSE, FUEL FEED PUMP
- 17 ECU CABLE HARNESS L=1.5M (5 FEET)
- 18 CCV FILTER
- 19 FUEL INLET CONNECTION FOR HOSE I.D. 9.5 (3.8")
- 20 FUEL RETURN CONNECTION FOR HOSE I.D. 9.5 (3.8")
- 21 ECU UNIT (BULKHEAD MOUNTED)
- 22 OIL COOLER REVERSE GEAR

SCALE 1:5
 CENTER OF GRAVITY

THE COMPANY ASSUMES NO LIABILITY FOR THE CORRECTNESS OF THE INFORMATION CONTAINED HEREIN. THE USER SHALL BE RESPONSIBLE FOR THE PROPER USE OF THE INFORMATION CONTAINED HEREIN. THE COMPANY SHALL NOT BE RESPONSIBLE FOR ANY DAMAGE, LOSS, INJURY, OR DEATH RESULTING FROM THE USE OF THE INFORMATION CONTAINED HEREIN.

VOLVO PENTA
 INSTALLATION DRAWING
 D3-MS631V
 22396685 02