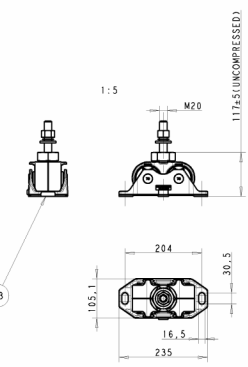
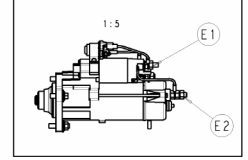
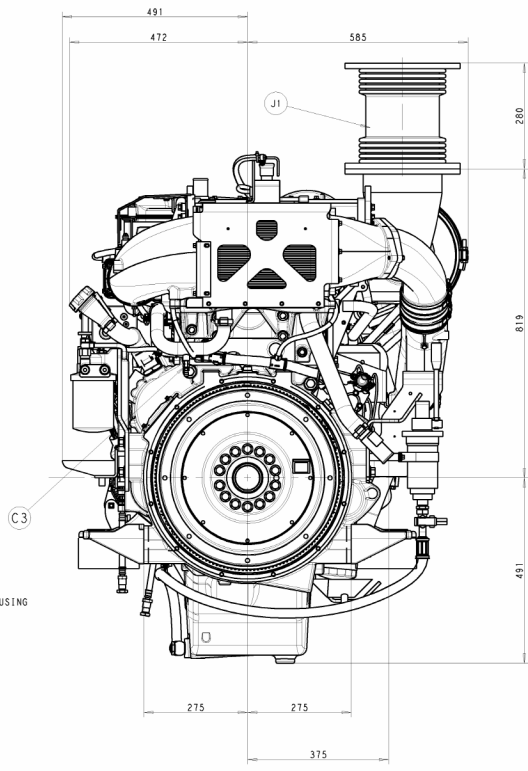
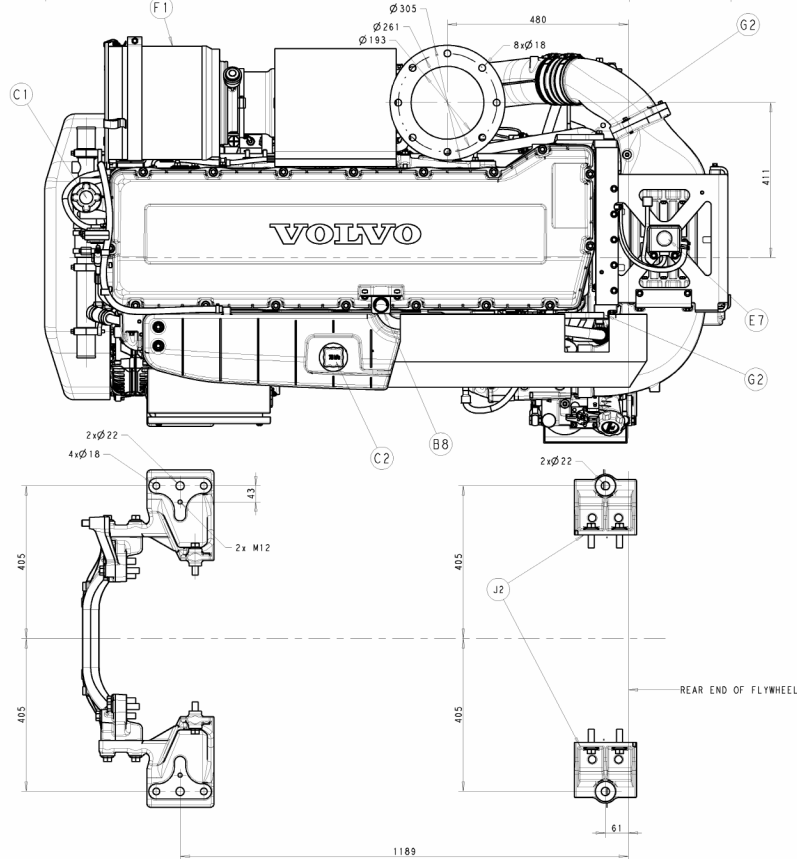
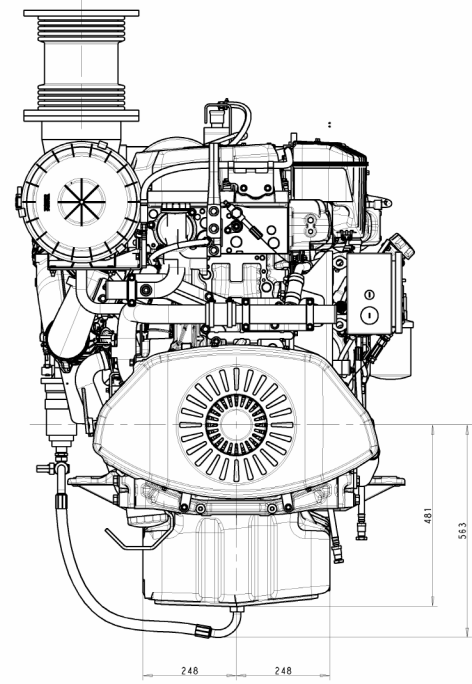
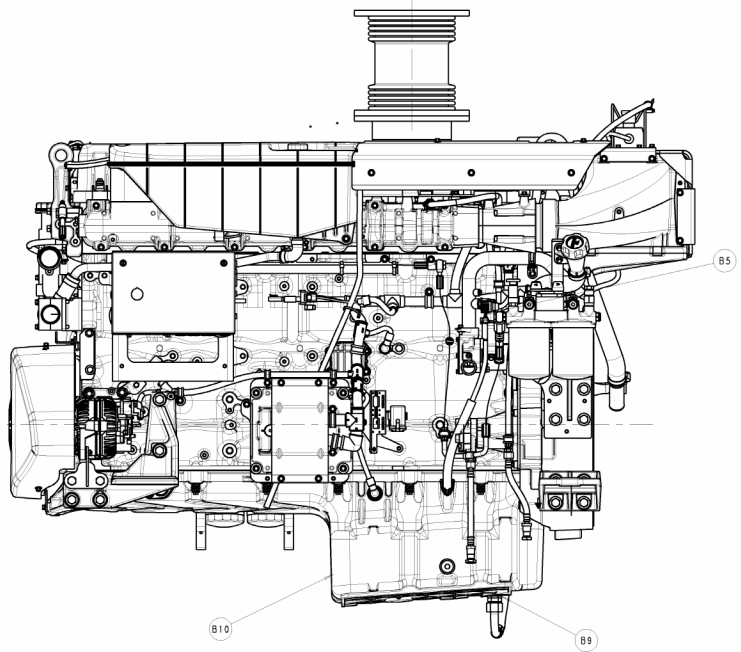


SCALE 1:5
 ALL EQUIPMENT IS NOT STANDARD
 CENTER OF GRAVITY



- A1 FLEX HOSE FUEL CON. IN, INTERNAL THREAD M18x1.5(DIN3863)
- A2 FLEX HOSE FUEL CON. OUT, INTERNAL THREAD M18x1.5(DIN3863)
- A3 FUEL FILTER
- A4 PRIMER PUMP
- A5 FUEL SHIFT VALVE
- B1 OIL FILLER ENGINE
- B2 OIL FILTER (2x)
- B3 BYPASS OIL FILTER
- B4 SHIFT VALVE
- B5 OIL DIPSTICK ENGINE
- B6 MANUAL OIL BILGE PUMP, 20mm I.D HOSE (OPTIONAL)
- B7 OIL TRAP, CLOSED CRANK CASE VENTILATION(OPTIONAL)
- B8 OPEN CRANK CASE VENTILATION, 38 MM
- B9 OIL DRAINAGE
- C1 FRESH WATER FILLER
- C2 FRESH WATER FILLER (PRESURE CAP)
- C3 FRESH WATER DRAIN POINT (4x)
- C4 CONNECTION HOT WATER OUTLET R 1/2" (OPTION)
- C5 CONNECTION HOT WATER INLET R 1/2" (OPTION)
- C6 CONNECTION INLET ENGINE HEATER Ø29mm
- C7 CONNECTION OUTLET ENGINE HEATER R 1/2"
- D1 WATER CAC INLET (LT) Ø38mm
- D2 ENGINE WATER INLET (HT) Ø50mm
- D3 WATER CAC OUTLET (LT) Ø45mm
- D4 ENGINE WATER OUTLET (HT) Ø42mm
- E1 CONNECTION BATTERY POS. +
- E2 CONNECTION BATTERY NEG. -
- E3 ENGINE CONNECTION (8-POLES)
- E4 SHUTDOWN CONNECTION, CONN. B (OPTIONAL)
- E5 ENGINE CONNECTION, SHUTDOWN, CONN. A (8 POLES)(OPTIONAL)
- E6 EMS CONTROL UNIT
- E7 EMERGENCY STOP
- F1 AIR FILTER
- G1 FRONT LIFTING EYE 1x (REMOVABLE)
- G2 REAR LIFTING EYE 2x
- G3 ELASTIC SUSPENSION (OPTIONAL)
- J1 FLEXIBLE COMPENSATOR EXHAUST SYSTEM 7" (OPTIONAL)
- J2 REAR ENGINE BRACKETS (OPTIONAL)



SCALE 1:5

ALL EQUIPMENT IS NOT STANDARD

B5 OIL DIPSTICK ENGINE
B9 OIL DRAINAGE
B10 OIL PAN - 20898367 (OPTIONAL)

<small>THE APPLICABLE DISTRIBUTION AND UTILIZATION OF THIS DRAWING IS LIMITED TO THE ORIGINAL DRAWING. ANY REPRODUCTION OF THIS DRAWING FOR ANY OTHER PURPOSE IS PROHIBITED. VOLVO PENTA CORP. IS NOT RESPONSIBLE FOR ANY DAMAGE OR LOSS OF PROFITS, REVENUE, OR INCOME, OR FOR ANY OTHER CONSEQUENCES ARISING FROM THE USE OF THIS DRAWING, WHETHER MADE BY AN INDIVIDUAL OR BY AN ORGANIZATION.</small>	ENGINE DIMENSIONS DIEC-D MARINE BOBT, KC
	VOLVO PENTA
<small>Drawn: 22698914</small> <small>Checked: 01</small> <small>Scale: 1:5</small>	<small>Sheet No: 212</small> <small>Page: 1</small>