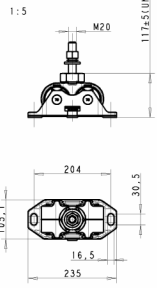
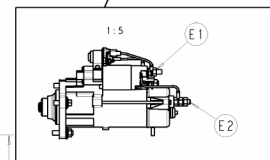
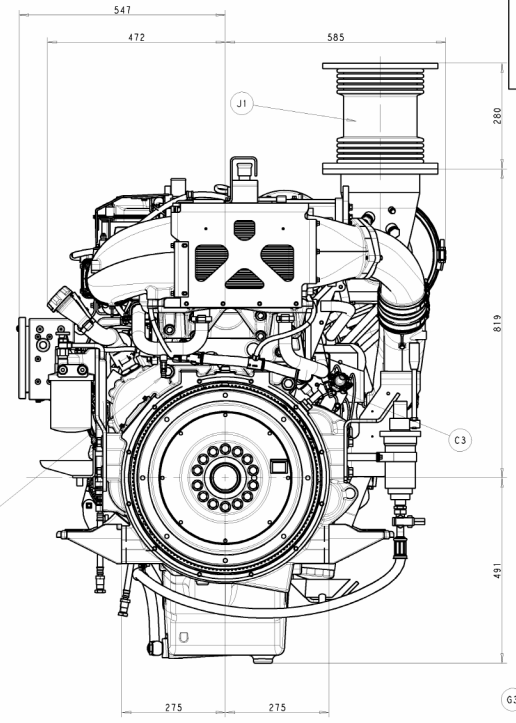
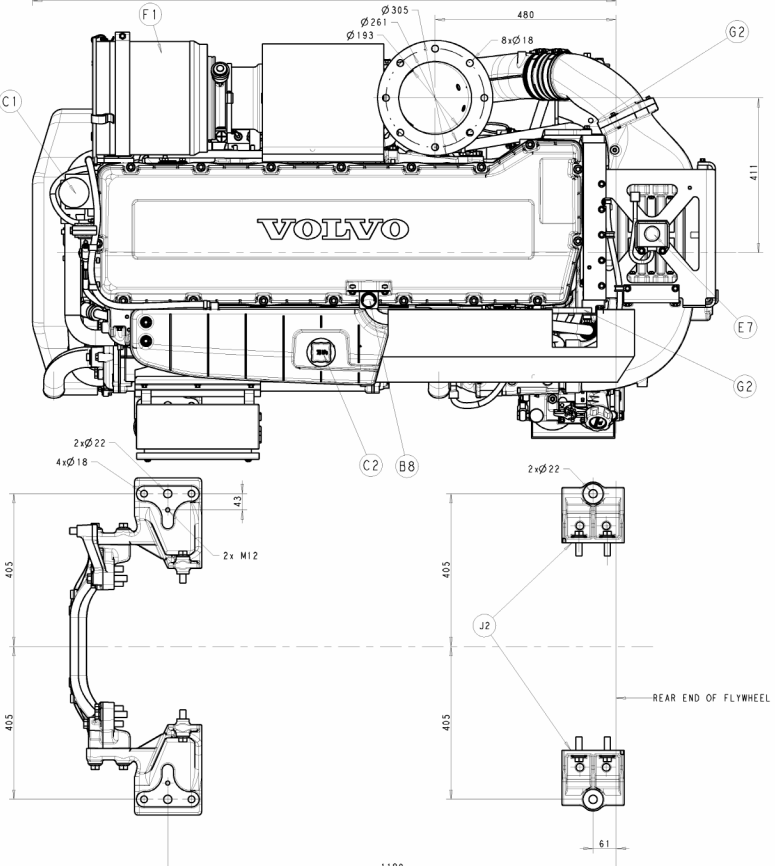
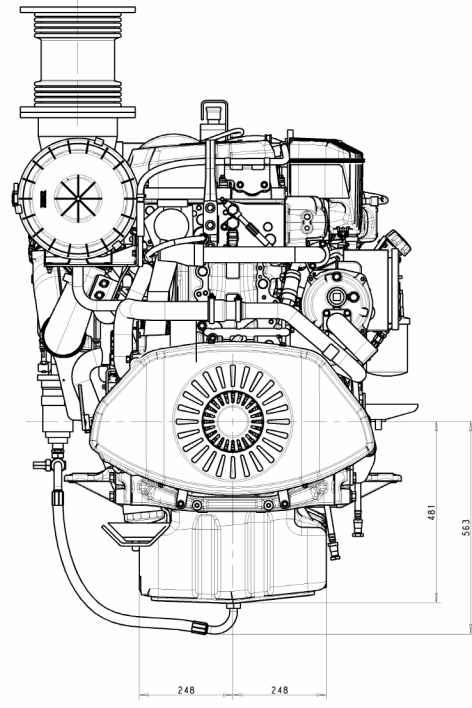
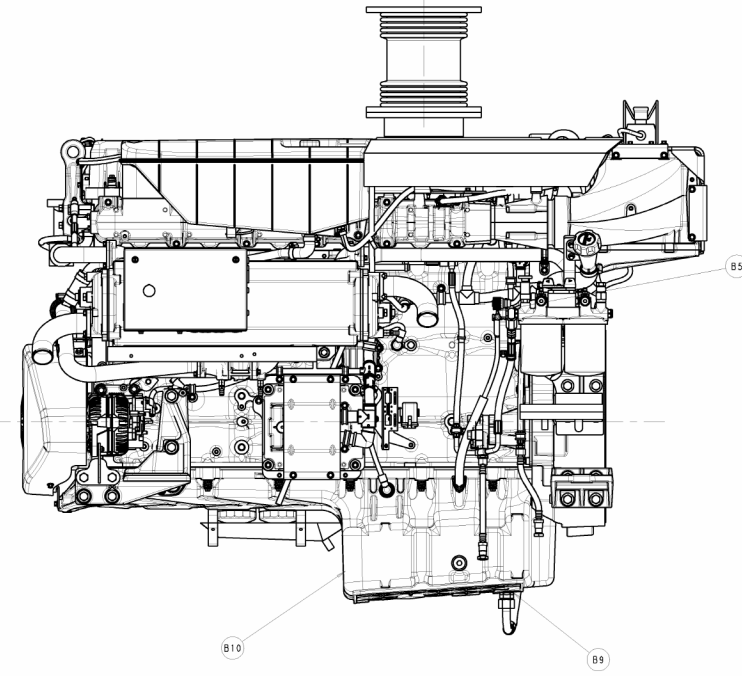


SCALE 1:5  
 ALL EQUIPMENT IS NOT STANDARD  
 CENTER OF GRAVITY



- A1 FLEX HOSE FUEL CON. IN. INTERNAL THREAD M18x1.5(DIN3863)
- A2 FLEX HOSE FUEL CON. OUT. INTERNAL THREAD M18x1.5(DIN3863)
- A3 FUEL FILTER
- A4 PRIMER PUMP
- A5 FUEL SHIFT VALVE
- B1 OIL FILLER ENGINE
- B2 OIL FILTER (2x)
- B3 BYPASS OIL FILTER
- B4 SHIFT VALVE
- B5 OIL DIPSTICK ENGINE
- B6 MANUAL OIL BILGE PUMP, 20mm I.D HOSE (OPTIONAL)
- B7 OIL TRAP CLOSED CRANK CASE VENTILATION(OPTIONAL)
- B8 OPEN CRANK CASE VENTILATION, 38mm
- B9 OIL DRAINAGE
- C1 FRESH WATER FILLER
- C2 FRESH WATER FILLER (PRESURE CAP)
- C3 FRESH WATER DRAIN POINT (5x)
- C4 CONNECTION HOT WATER OUTLET R 1/2" (OPTION)
- C5 CONNECTION HOT WATER INLET R 1/2" (OPTION)
- C6 CONNECTION INLET ENGINE HEATER R 1/2"
- C7 CONNECTION OUTLET ENGINE HEATER R 1/2"
- D1 SEA WATER INLET Ø57mm (2 1/4" I.D. HOSE) CAN BE TURNED 360°
- D2 SEA WATER OUTLET Ø57mm (2 1/4" I.D. HOSE) CAN BE TURNED 360°
- E1 CONNECTION BATTERY POS. +
- E2 CONNECTION BATTERY NEG. -
- E3 ENGINE CONNECTION (8-POLES)
- E4 SHUTDOWN CONNECTION, CONN. B (OPTIONAL)
- E5 ENGINE CONNECTION, SHUTDOWN, CONN. A (8 POLES)(OPTIONAL)
- E6 EMS CONTROL UNIT
- E7 EMERGENCY STOP
- F1 AIR FILTER
- G1 FRONT LIFTING EYE (1x) (REMOVABLE)
- G2 REAR LIFTING EYE (2x)
- G3 ELASTIC SUSPENSION (OPTIONAL)
- J1 FLEXIBLE COMPENSATOR EXHAUST SYSTEM 7" (OPTIONAL)
- J2 REAR ENGINE BRACKETS (OPTIONAL)



B5 OIL DIPSTICK ENGINE  
 B9 OIL DRAINAGE  
 B10 OIL PAN - 20898367 (OPTIONAL)

|  |                   |  |
|--|-------------------|--|
| <small>THE APPLICABLE DISTRIBUTION AND UTILIZATION OF THIS DOCUMENT IS LIMITED TO THE ORIGINAL ADDRESSEE. IT IS NOT TO BE REPRODUCED OR TRANSMITTED IN ANY FORM OR BY ANY MEANS, ELECTRONIC OR MECHANICAL, INCLUDING PHOTOCOPYING, RECORDING, OR BY ANY INFORMATION STORAGE AND RETRIEVAL SYSTEM, WITHOUT THE WRITTEN PERMISSION OF VOLVO PENTA AB. THIS DOCUMENT IS UNCLASSIFIED.</small> |                   | <small>ENGINE DIMENSIONS<br/>         DIEC-D MARINE BOBT, CC</small> |
| <b>VOLVO PENTA</b>   |                   | <small>ENGINE DIMENSIONS<br/>         DIEC-D MARINE BOBT, CC</small> |
| <small>22682896</small>  | <small>01</small> | <small>212</small>   |