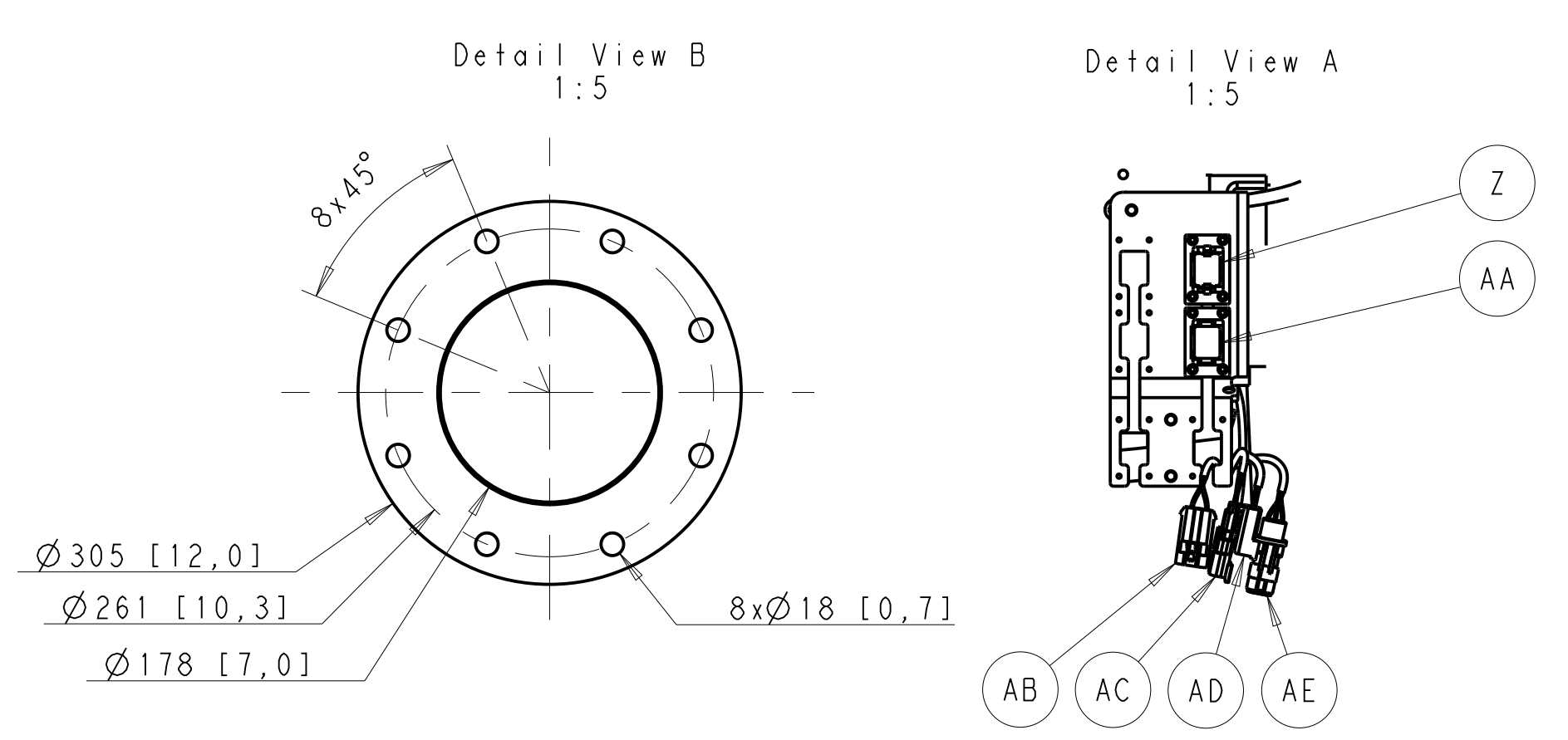
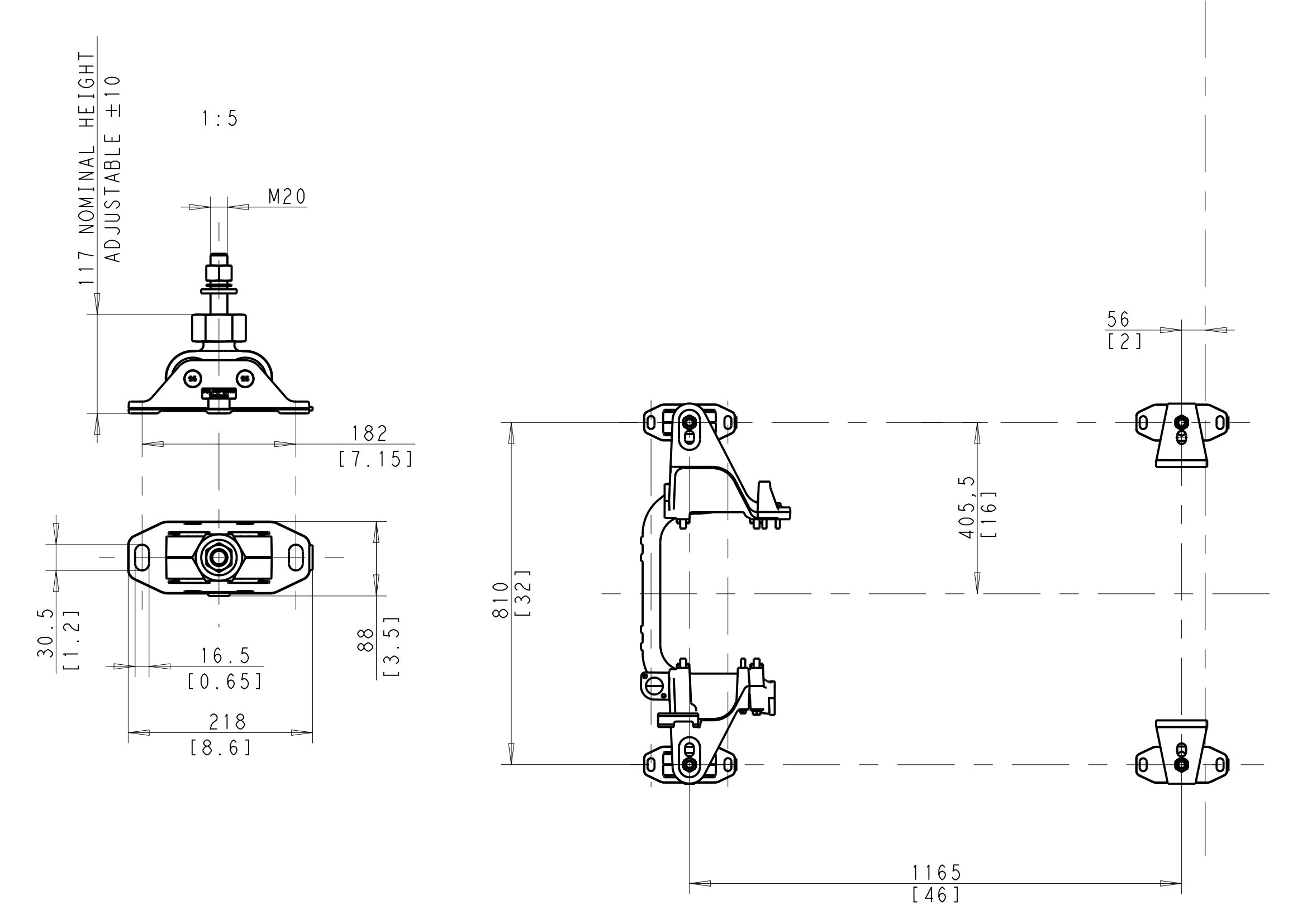


- (A) FUEL CONNECTION INLET 1/4-18 NPTF
- (B) FUEL CONNECTION OUTLET 1/4-18 NPTF
- (C) FUEL PRIMER PUMP
- (D) TWIN FUEL FILTER, SHIFTABLE
- (E) OIL FILLER
- (F) OIL DIPSTICK
- (G) OIL FILTERSx2, (OPTIONAL WITH SHIFT VALVE)
- (H) OIL FILTER BYPASS
- (I) HT WATER INLET Ø60mm O.D CONNECTION
- (J) HT WATER OUTLET Ø42mm O.D CONNECTION
- (K) HT WATER FILLER
- (L) HT WATER DRAIN POINTx3 1/8-27 NPTF
- (M) LT WATER INLET PUMP Ø38 O.D PIPE
- (N) LT WATER OUTLET CHARGE AIR COOLER Ø41 I.D HOSE
- (O) LT WATER DRAIN POINTx1 1/8-27 NPTF
- (P) CHARGE AIR COOLER DEAIRATION
- (Q) AIR FILTER ENGINE
- (R) PRESSURE DROP INDICATOR, AIR FILTER
- (S) TURNABLE EXHAUST BEND 120°
- (T) CONNECTION POINT EXHAUST SYSTEM Ø7"
- (U) LIFTING EYESx3 Ø30MM
- (V) ENGINE SUSPENSION
- (W) CONNECTION BATTERY POS. AND NEG. M12 SCREW
- (X) EMERGENCY STOP
- (Y) POWER CONTROL MODULE
- (Z) CONNECTOR A
- (AA) CONNECTOR B
- (AB) WIF CONNECTOR
- (AC) CONNECTOR EXTERNAL STOP
- (AD) CAN 2
- (AE) CONNECTOR EASY LINK
- (AF) MANUAL OIL DRAIN PUMP, 20mm I.D HOSE (OPTIONAL)
- (AG) AIR STARTER MOTOR (OPTIONAL)
- (AH) AIR STARTER CONNECTION, FERRULE FITTING Ø28MM PIPE
- (AI) ENGINE HEATER 220V (OPTIONAL)
- (AJ) ENGINE COOLANT SHUTDOWN SWITCH (OPTIONAL)
- (AK) ENGINE OILPRESSURE SHUTDOWN SWITCH (OPTIONAL)
- (CoG) CENTRE OF GRAVITY



DRY WEIGHT 1480 KILOGRAM  
 OIL CAPACITY AND COOLING WATER CAPACITY SEE DATA SHEET  
 SCALE: 1:10

SYMBOLS, DESIGNATIONS AND GENERAL DRAWING METHODS STD 101-0005

Document title: ENGINE DIMENSION  
 D13 MH KC BOBTAIL  
 AIR/EL STARTER  
 DIMENSIONS DRAWING

Document No: 21693392 Issue Index: 06 Sheet No: 1(11)

**VOLVO PENTA**