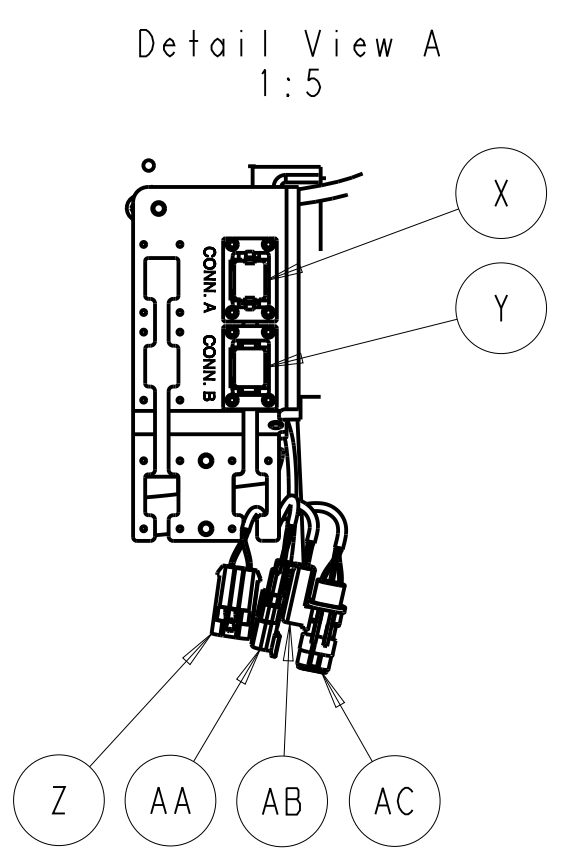
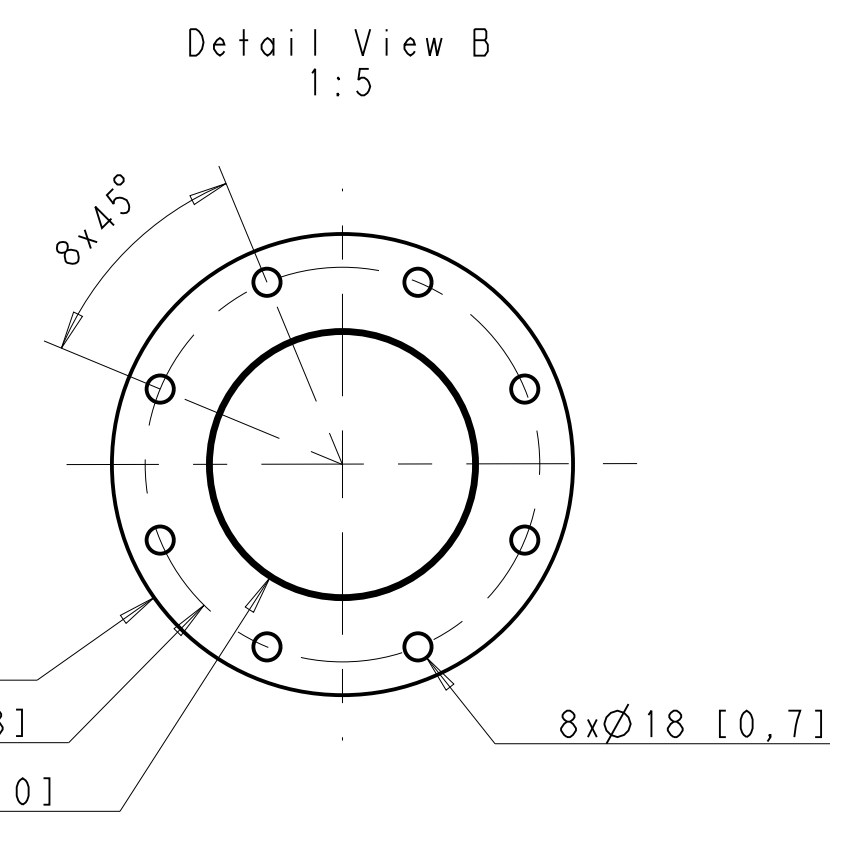
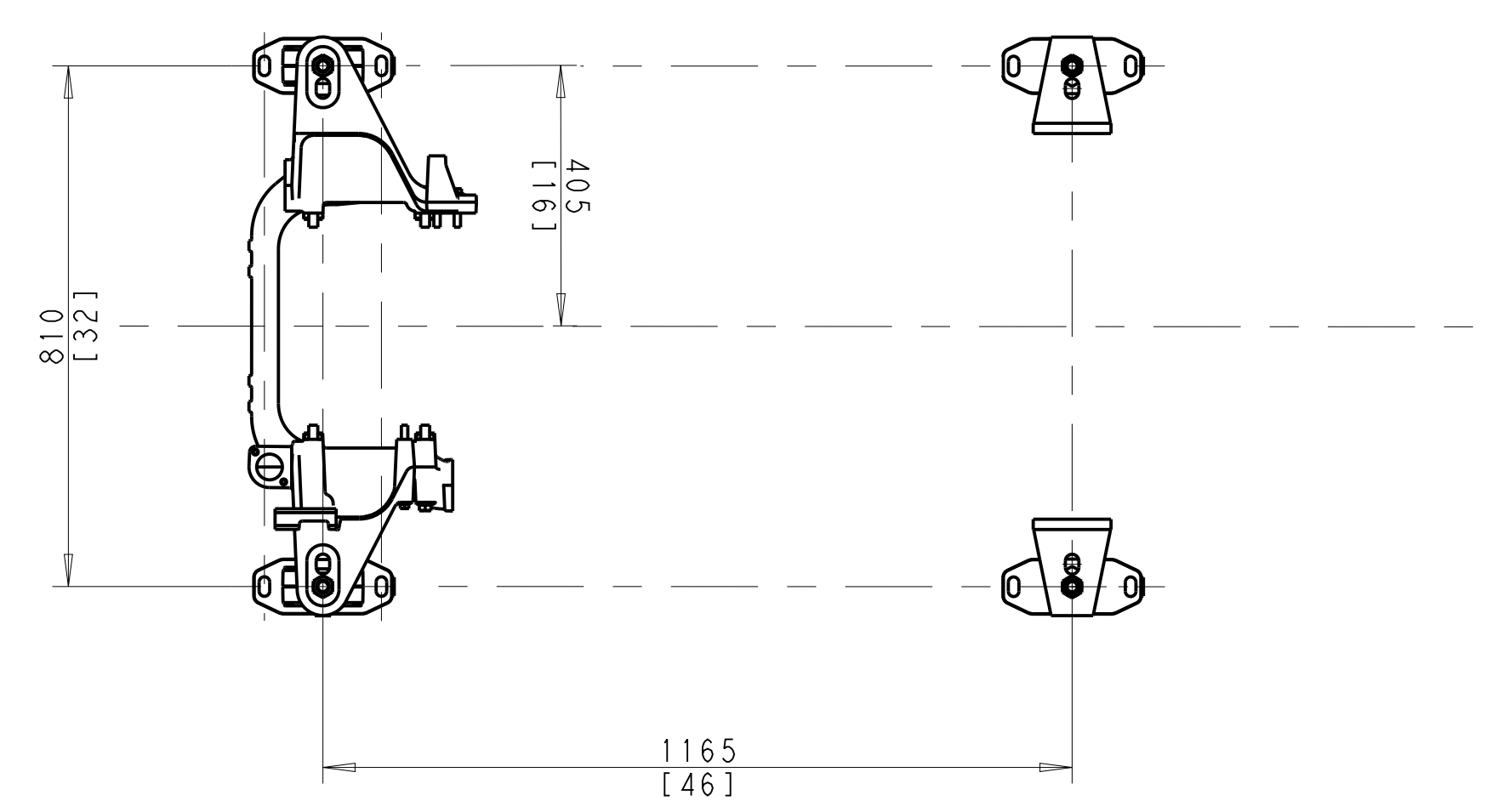
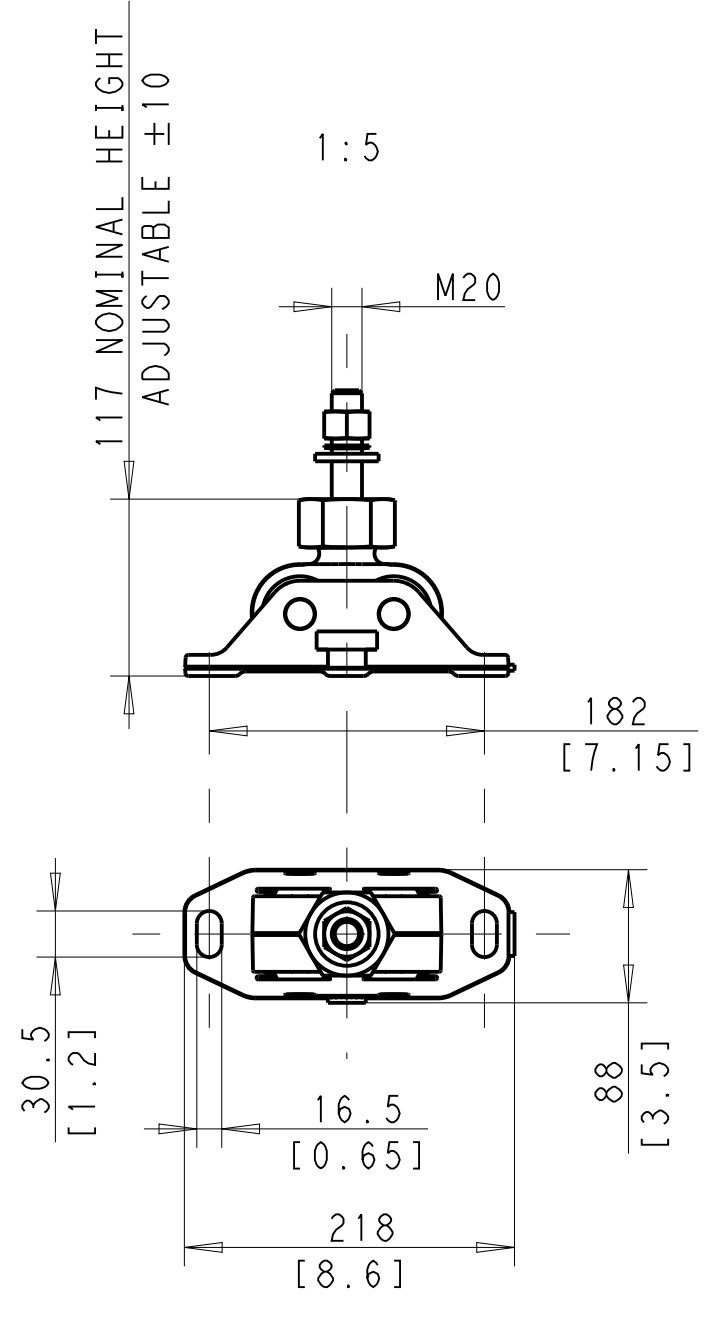


- (A) FUEL CONNECTION INLET 1/4-18 NPTF
- (B) FUEL CONNECTION OUTLET 1/4-18 NPTF
- (C) FUEL PRIMER PUMP
- (D) TWIN FUEL FILTER, SHIFTABLE
- (E) OIL FILLER
- (F) OIL DIPSTICK
- (G) OIL FILTERSx2, (OPTIONAL WITH SHIFT VALVE)
- (H) OIL FILTER BYPASS
- (I) HT WATER FILLER
- (J) HT WATER DRAIN POINTx2 1/8-27 NPTF
- (K) HT WATER DRAIN POINT TEMA 18418MN3.C
- (L) LT WATER INLET PUMP Ø63 O.D PIPE
- (M) LT WATER OUTLET Ø54 O.D PIPE
- (N) LT WATER DRAIN POINTx1 1/8-27 NPTF
- (O) AIR FILTER ENGINE
- (P) PRESSURE DROP INDICATOR, AIR FILTER
- (Q) TURNABLE EXHAUST BEND 120°
- (R) CONNECTION POINT EXHAUST SYSTEM Ø7"
- (S) LIFTING EYESx3 Ø30MM
- (T) ENGINE SUSPENSION
- (U) CONNECTION BATTERY POS. AND NEG. M12 SCREW
- (V) EMERGENCY STOP
- (W) POWER CONTROL MODULE
- (X) CONNECTOR A
- (Y) CONNECTOR B
- (Z) WIF CONNECTOR
- (AA) CONNECTOR EXTERNAL STOP
- (AB) CAN 2
- (AC) CONNECTOR EASY LINK
- (AD) MANUAL OIL DRAIN PUMP, 20mm I.D HOSE (OPTIONAL)
- (AE) AIR STARTER MOTOR (OPTIONAL)
- (AF) AIR STARTER CONNECTION, FERRULE FITTING Ø28MM PIPE
- (AG) ENGINE HEATER 220V (OPTIONAL)
- (AH) ENGINE COOLANT SHUTDOWN SWITCH (OPTIONAL)
- (AI) ENGINE OILPRESSURE SHUTDOWN SWITCH (OPTIONAL)
- (CoG) CENTRE OF GRAVITY

- X, Y, Z, DIM FROM CRANKSHAFT CENTER AND REAR END OF FLYWHEEL HOUSING OF ENGINE
- (A) -X200 -Y370 +Z185
  - (B) -X200 -Y380 +Z210
  - (A)(B) CONNECTION FOR FUEL HOSE L=550mm HOSE END TO CUSTOMER INTERNAL M18x1.5 (DIN3863)
  - (L) +X30 -Y360 +Z105 (TURNABLE)
  - (M) -X125 -Y520 -Z75 (TURNABLE)
  - (R) -X920 +Y380 +Z835
  - (X) -X175 -Y240 +Z575
  - (Y) -X175 -Y240 +Z535
  - (Z)(AA)(AB)(AC) -X45 -Y370 +Z350
  - (AH) -X960 +Y315 +Z490
  - (AI) -X970 -Y420 +Z370
  - (AJ) -X745 +Y385 +Z380 (TURNABLE)
  - (CoG) -X740 -Y10 +Z215



DRY WEIGHT 1520 KILOGRAM  
 OIL CAPACITY AND COOLING WATER CAPACITY SEE DATA SHEET  
 SCALE: 1:10

SYMBOLS, DESIGNATIONS AND GENERAL DRAWING METHODS STD 101-0005

The copying, distribution and utilization of this document as well as the completion of its contents in other languages without the prior written consent of the copyright holder is prohibited. Offenders will be held liable for damages. All rights reserved in the event of the grant of patent, utility model or industrial design registration.

Document title: **ENGINE DIMENSIONS**  
 DI3 MH HE BOBTAIL  
 AIR/EL STARTER  
 DIMENSION DRAWING

Document No: **21693394** Issue Index: **05** Sheet No: **1(11)**

**VOLVO PENTA**