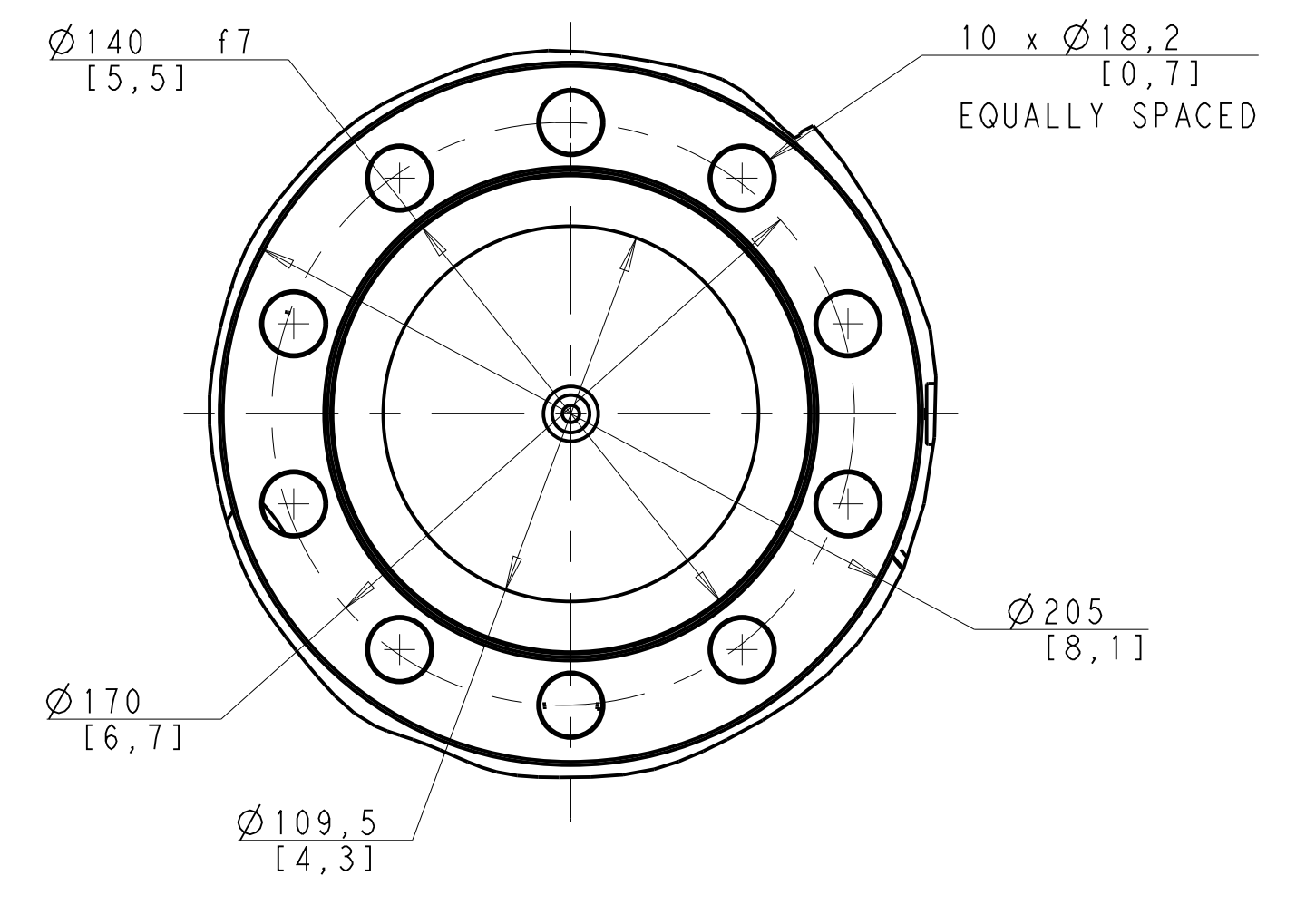
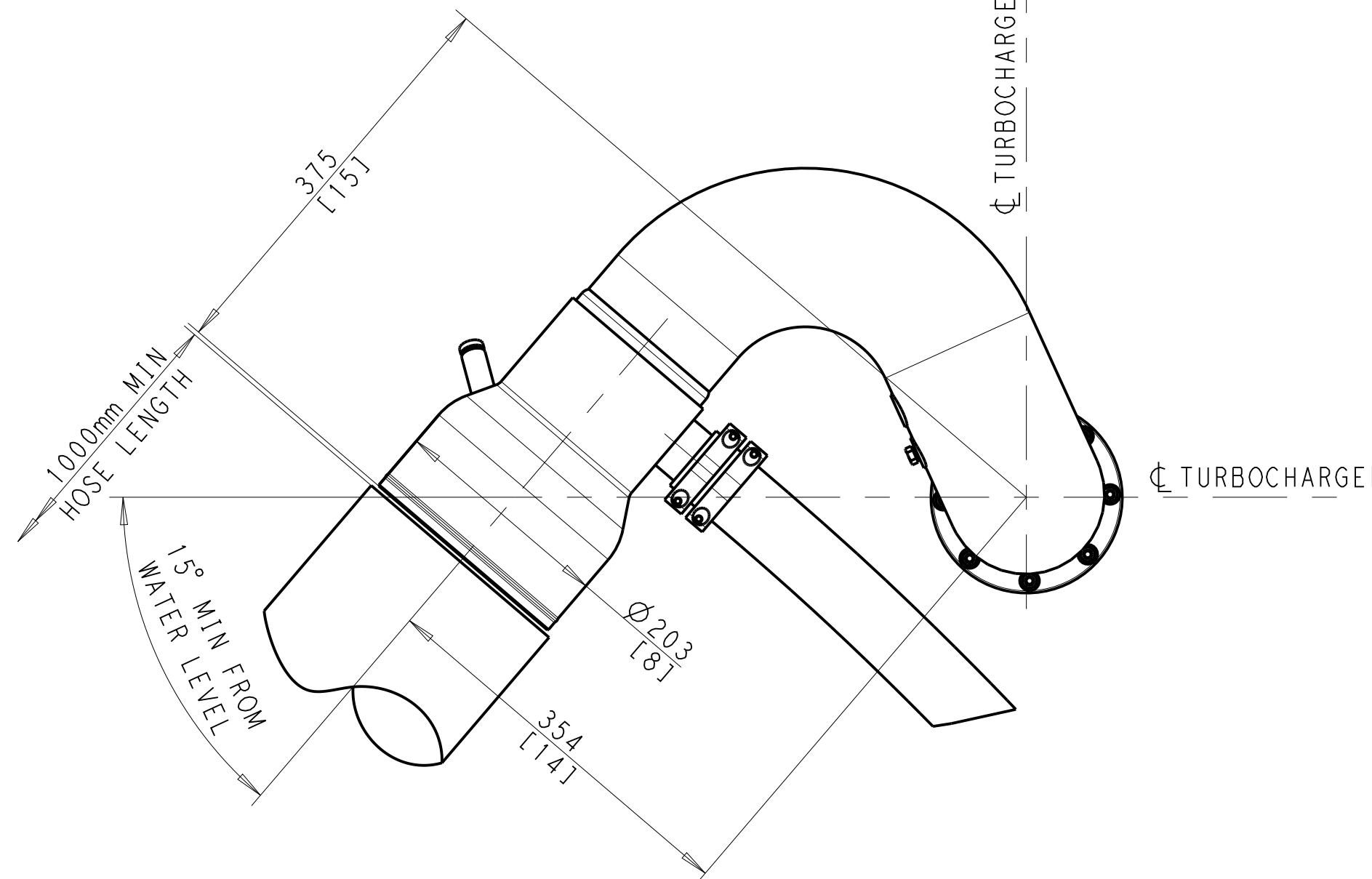


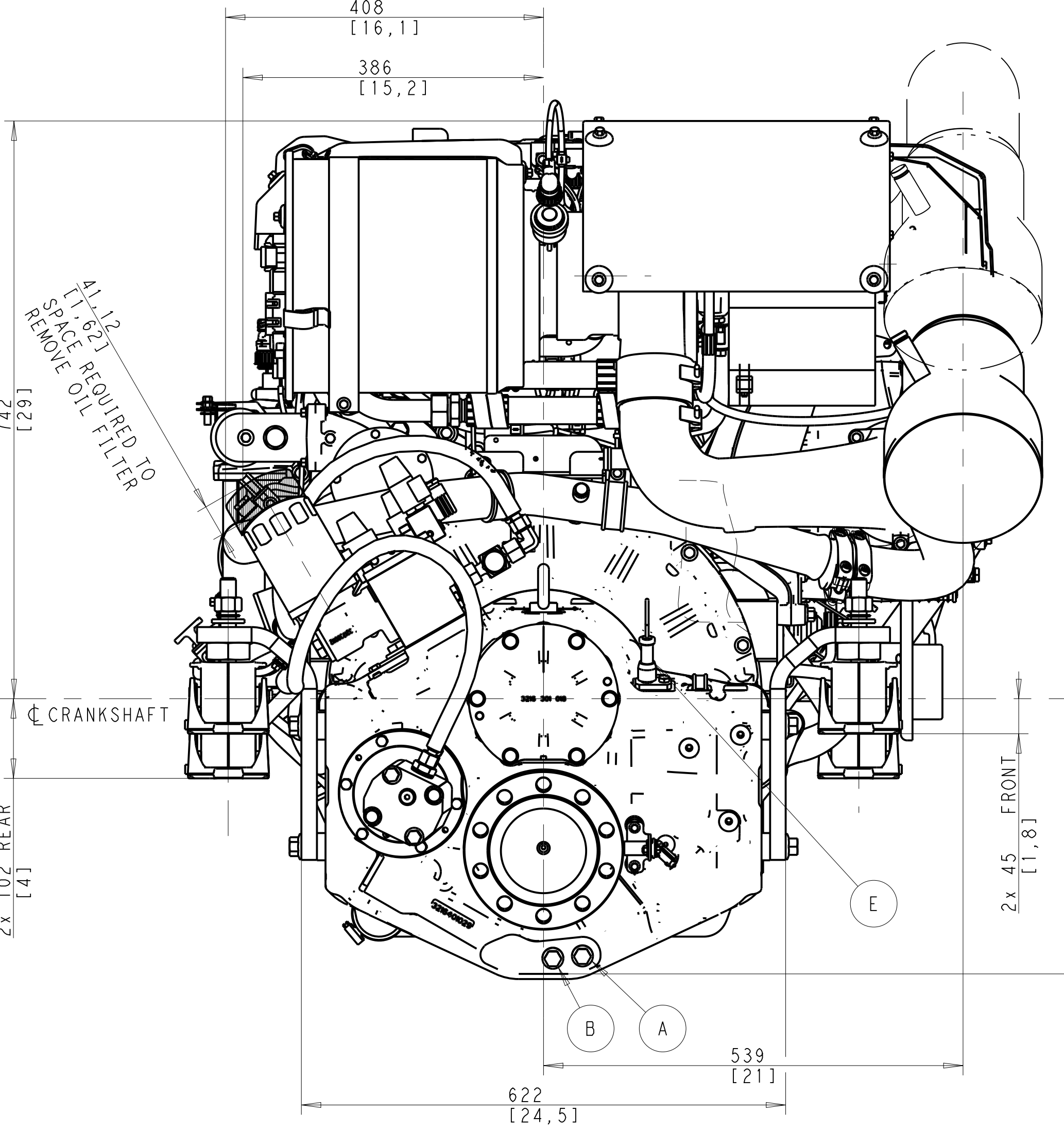
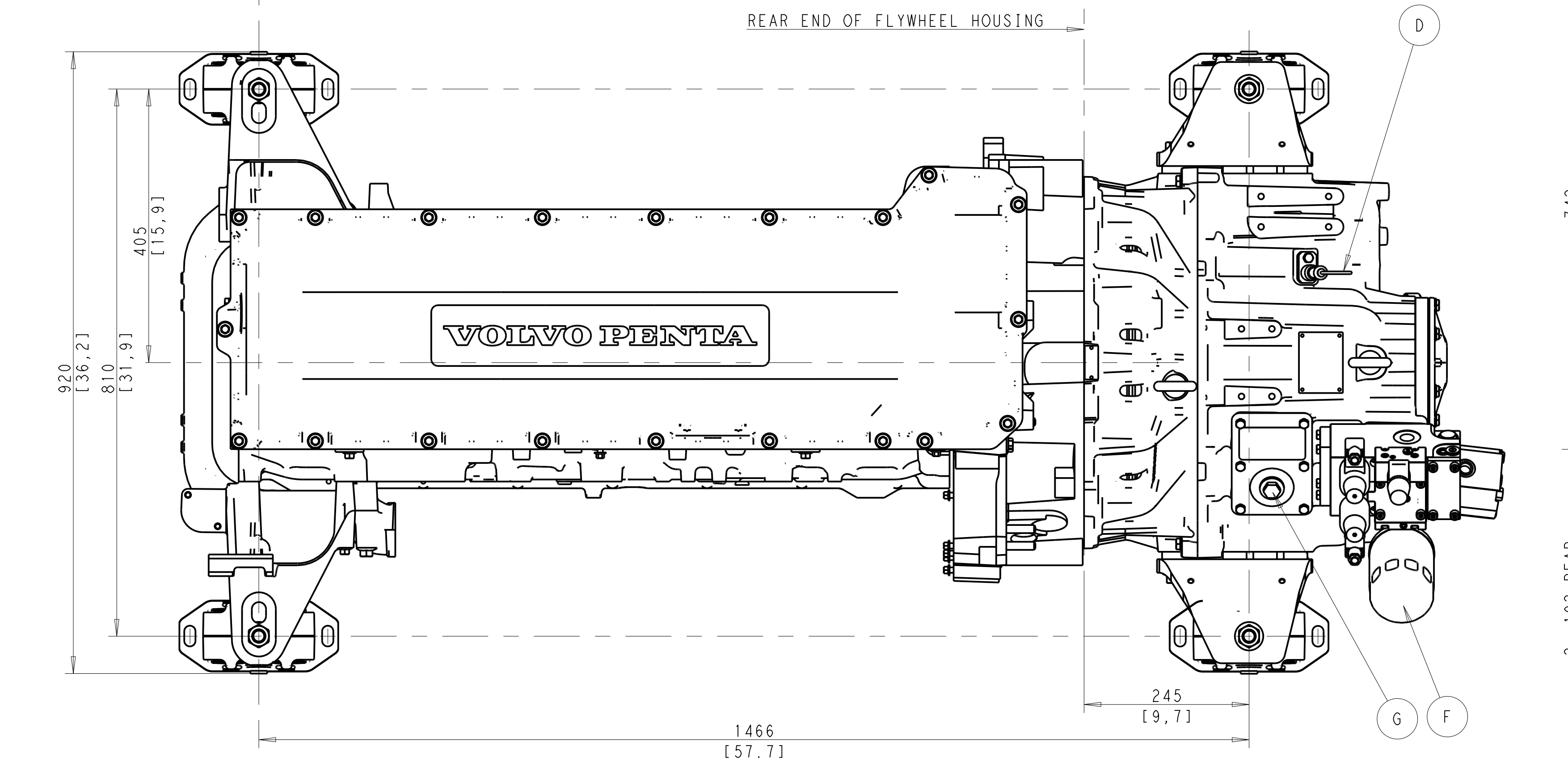
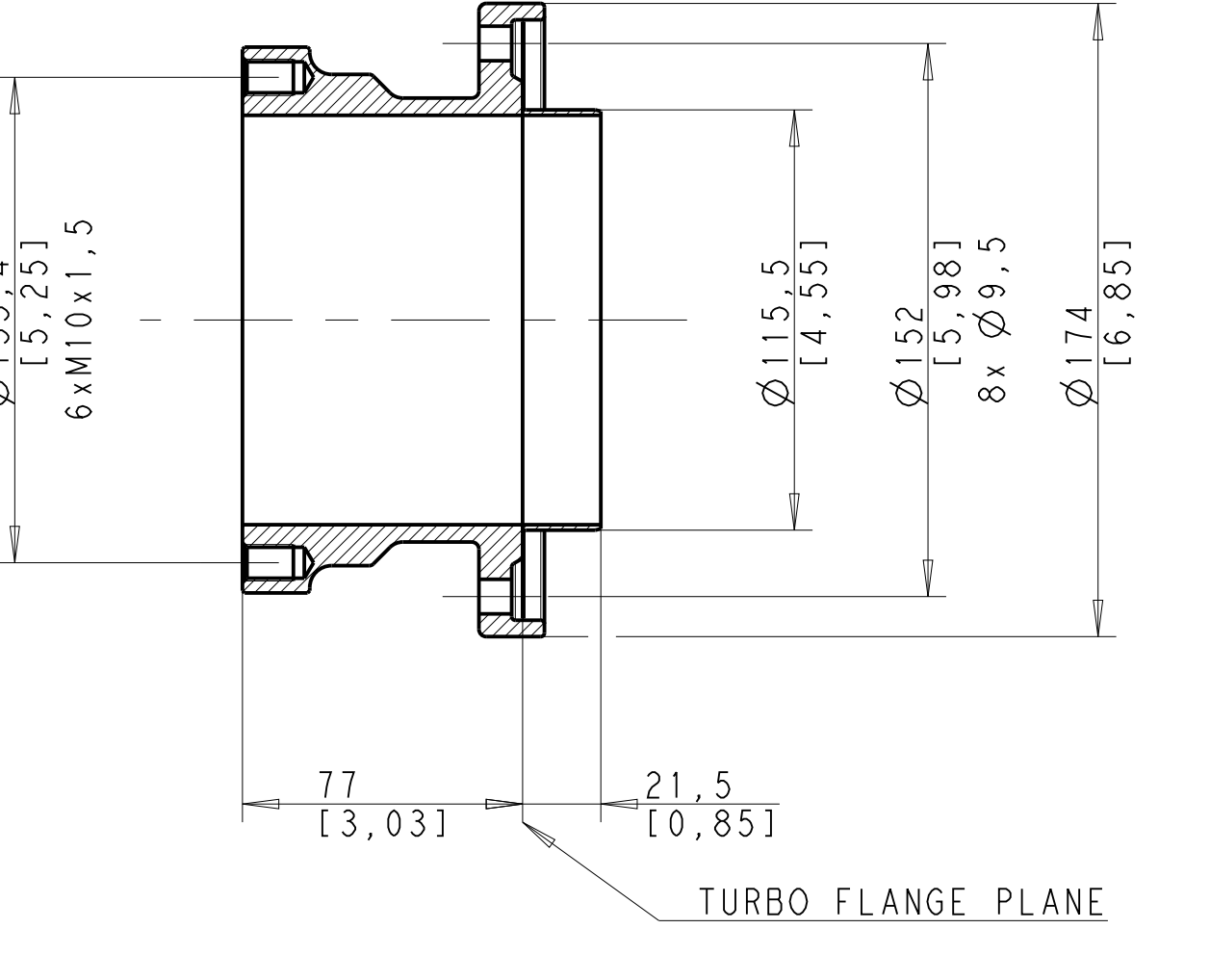
VIEW B
1:2



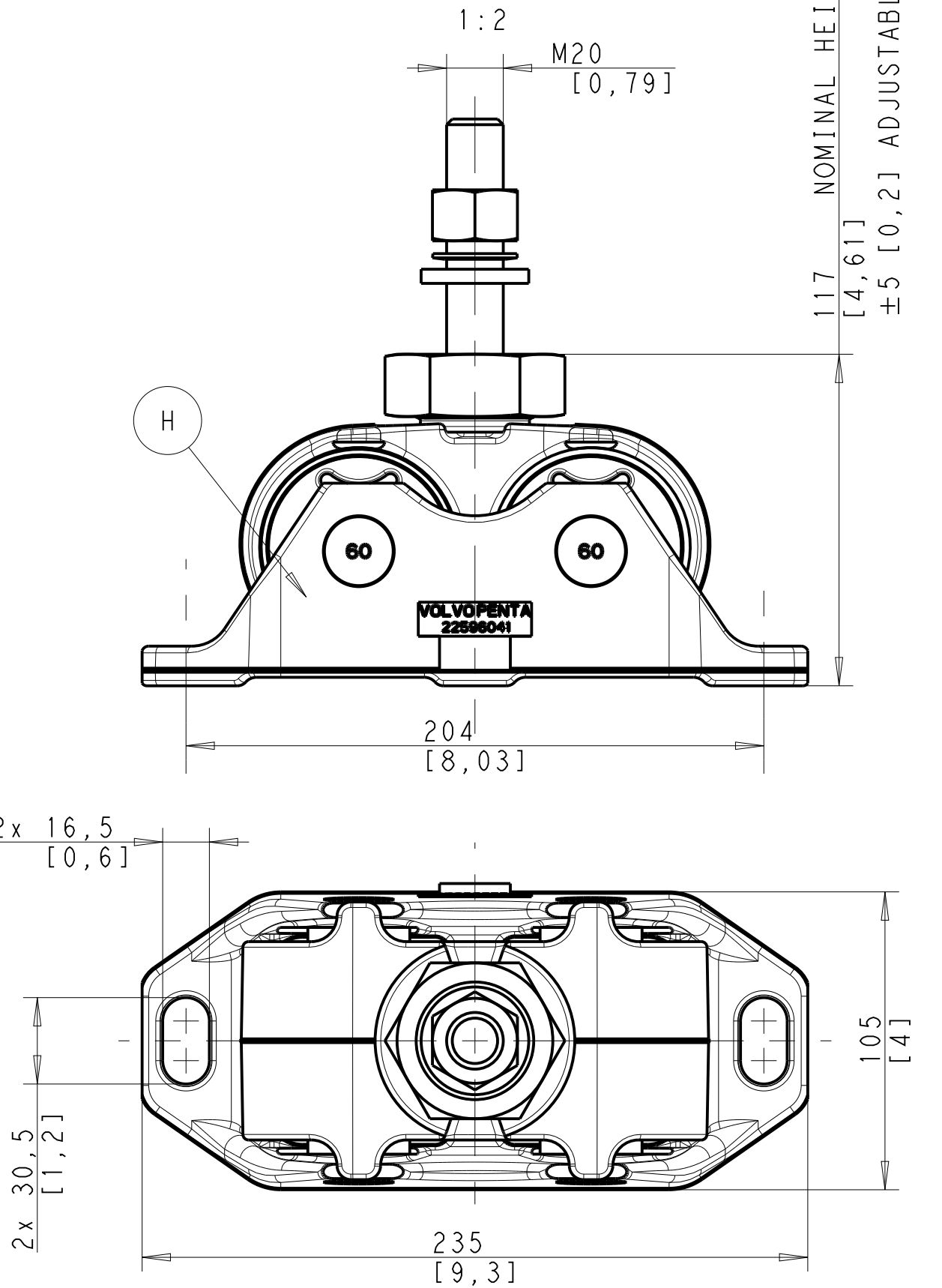
RISER OPTION 2



EXHAUST FLANGE
A-A
1:2



FLEXIBLE SUSPENSION



ITEM NO.	DESCRIPTION	NOTES
A	OIL DRAINPLUG GAUGE CONNECTION M22x1.5	TORQUE 50Nm
B	OIL TEMPERATURE GAUGE CONNECTION M22x1.5	TORQUE 50Nm
C	OIL FILTER COVER	
D	OIL DIPSTICK	
E	OIL BREATHER	
F	OIL FILTER	
G	OIL FILLING PLUG M52 x 1,5	TORQUE 150Nm
H	FLEXIBLE SUSPENSION	
I	SEA WATER INLET, CONNECTION FOR 63 mm (2 1/2") I.D. HOSE	
J	FUEL CONNECTION INLET 1/4"-18 NPTF	
K	FUEL CONNECTION OUTLET 1/4"-18 NPTF	

FOR MORE DETAILS REFER BELOW BOBTAIL DRAWING D13C4-B MP

SCALE 1:5

SYMBOLS, DESIGNATIONS AND GENERAL DRAWING METHODS STD 101-0005

Document title: **ENGINE DIMENSIONS**
 D13C4-B MP
 RG ZF500A 800HP/100HP

Document No: **24178697** Issue: **01** Sheet: **1(1)**

VOLVO PENTA