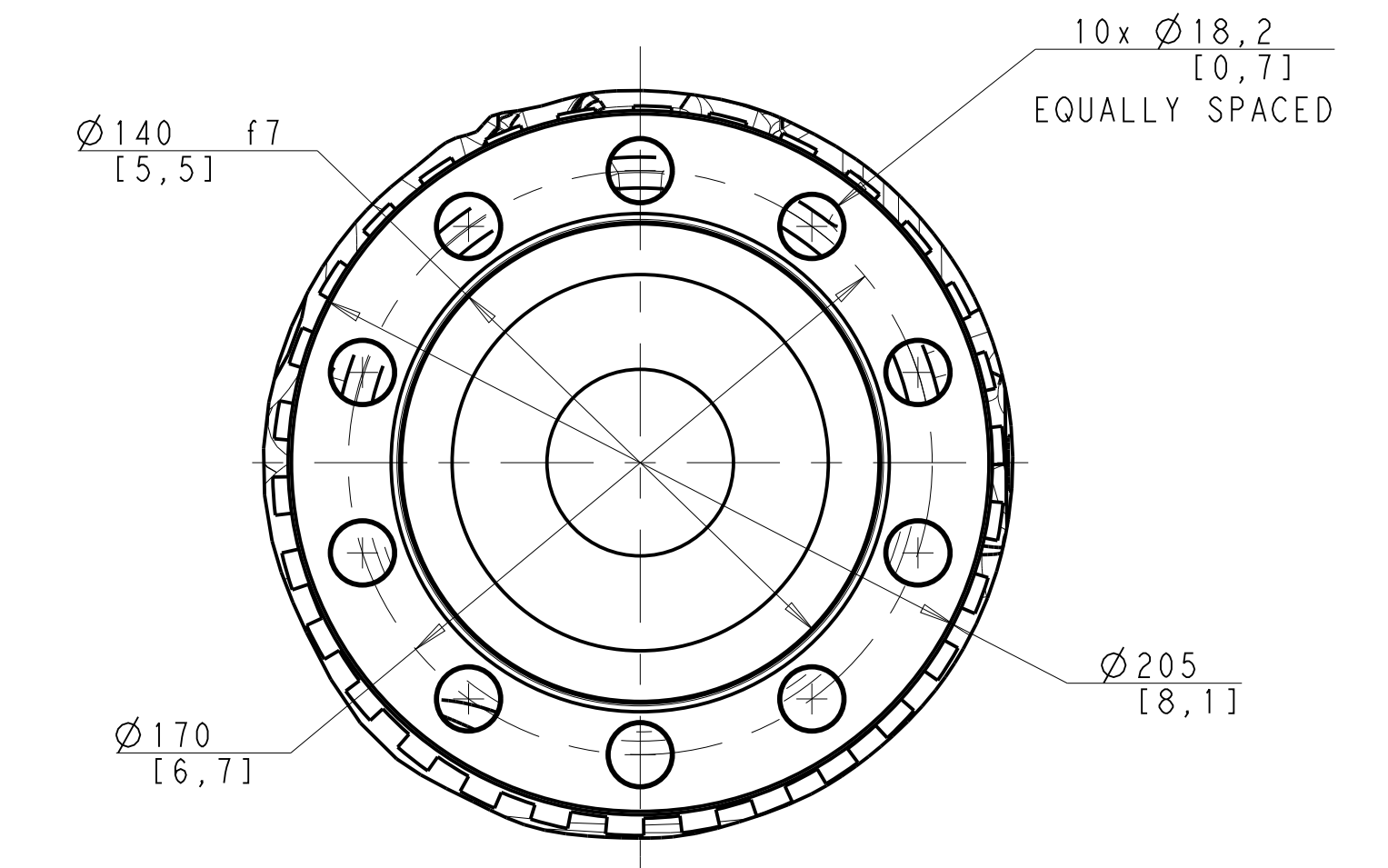
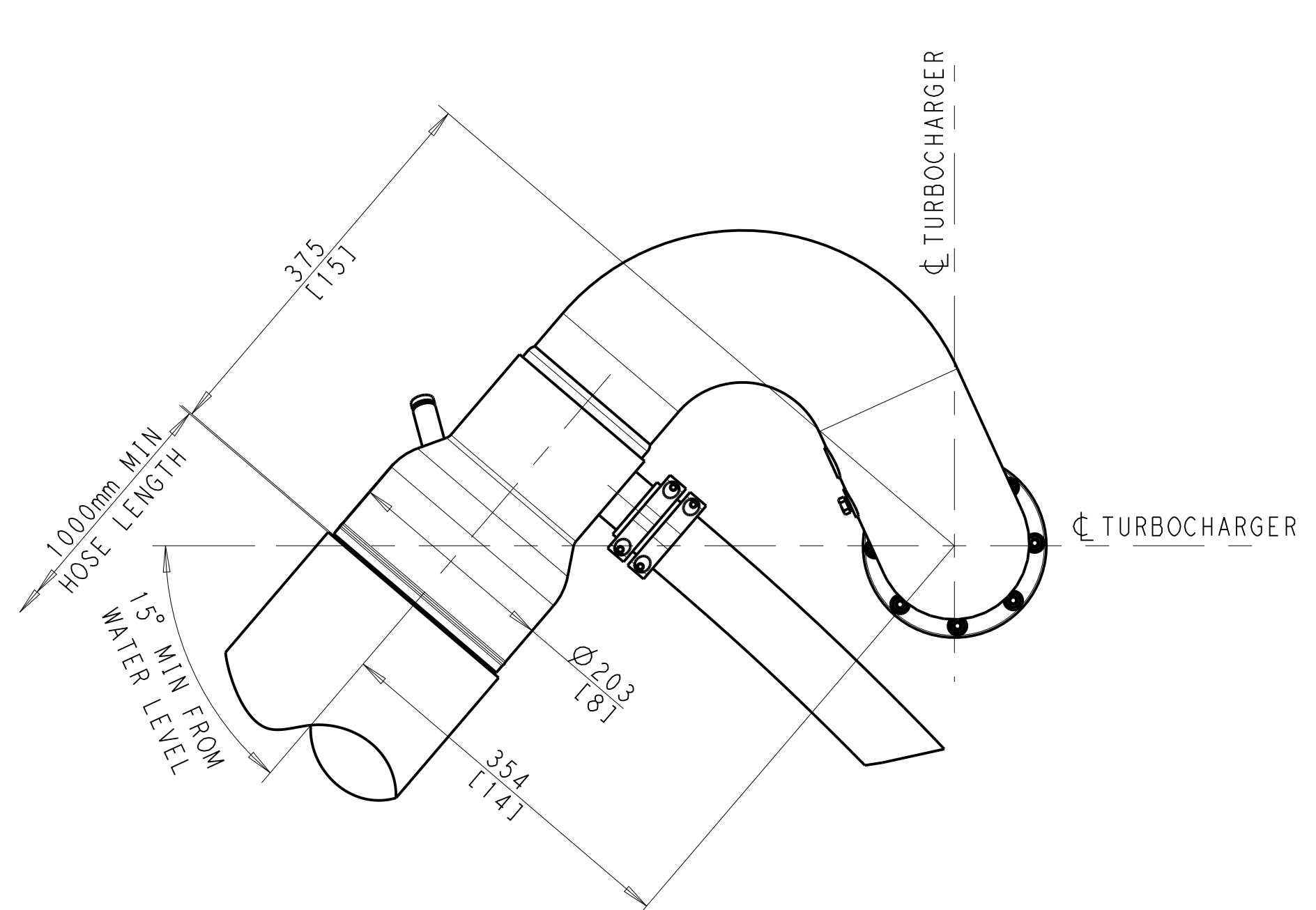


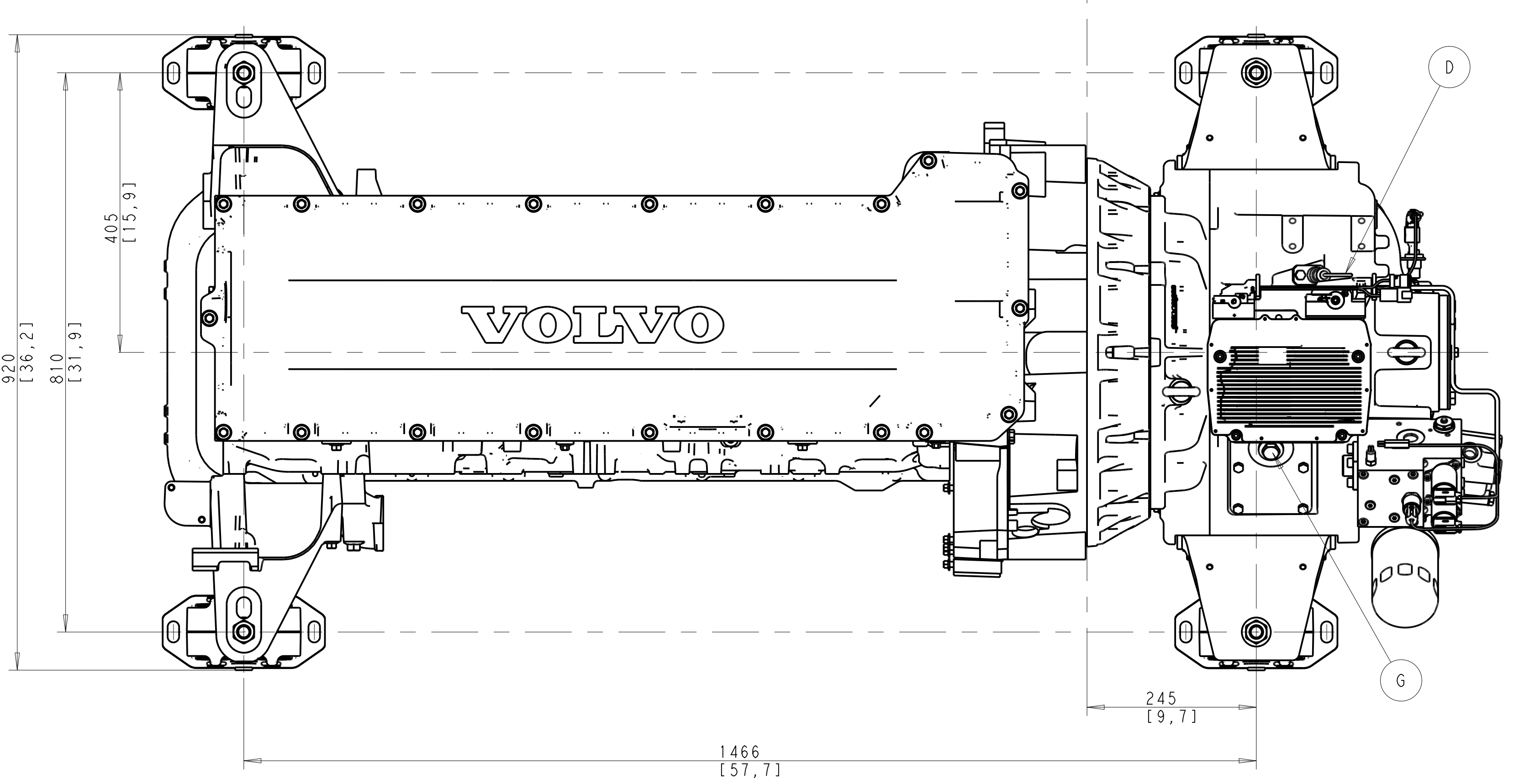
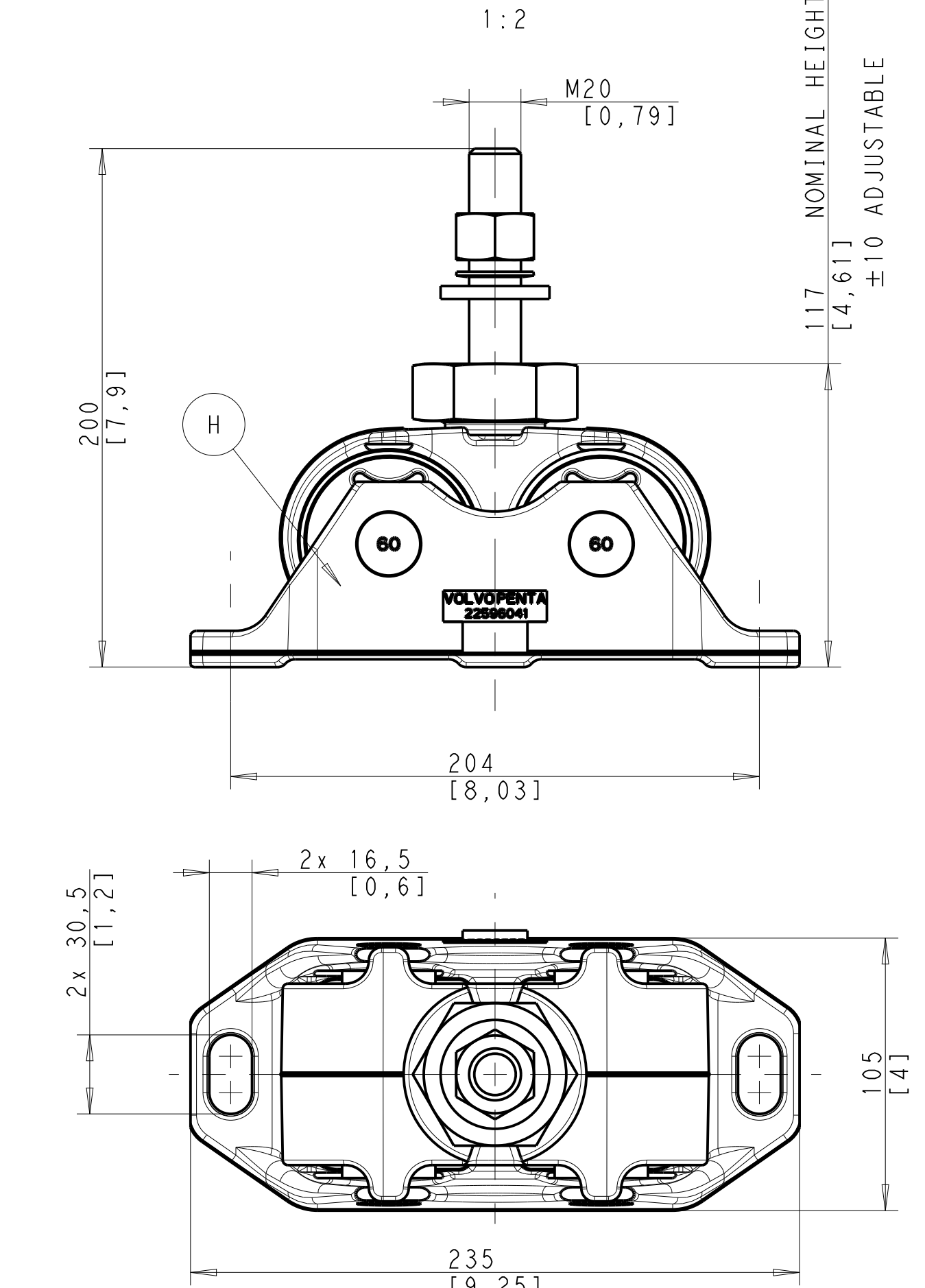
VIEW C
STEERING FLANGE
1:2



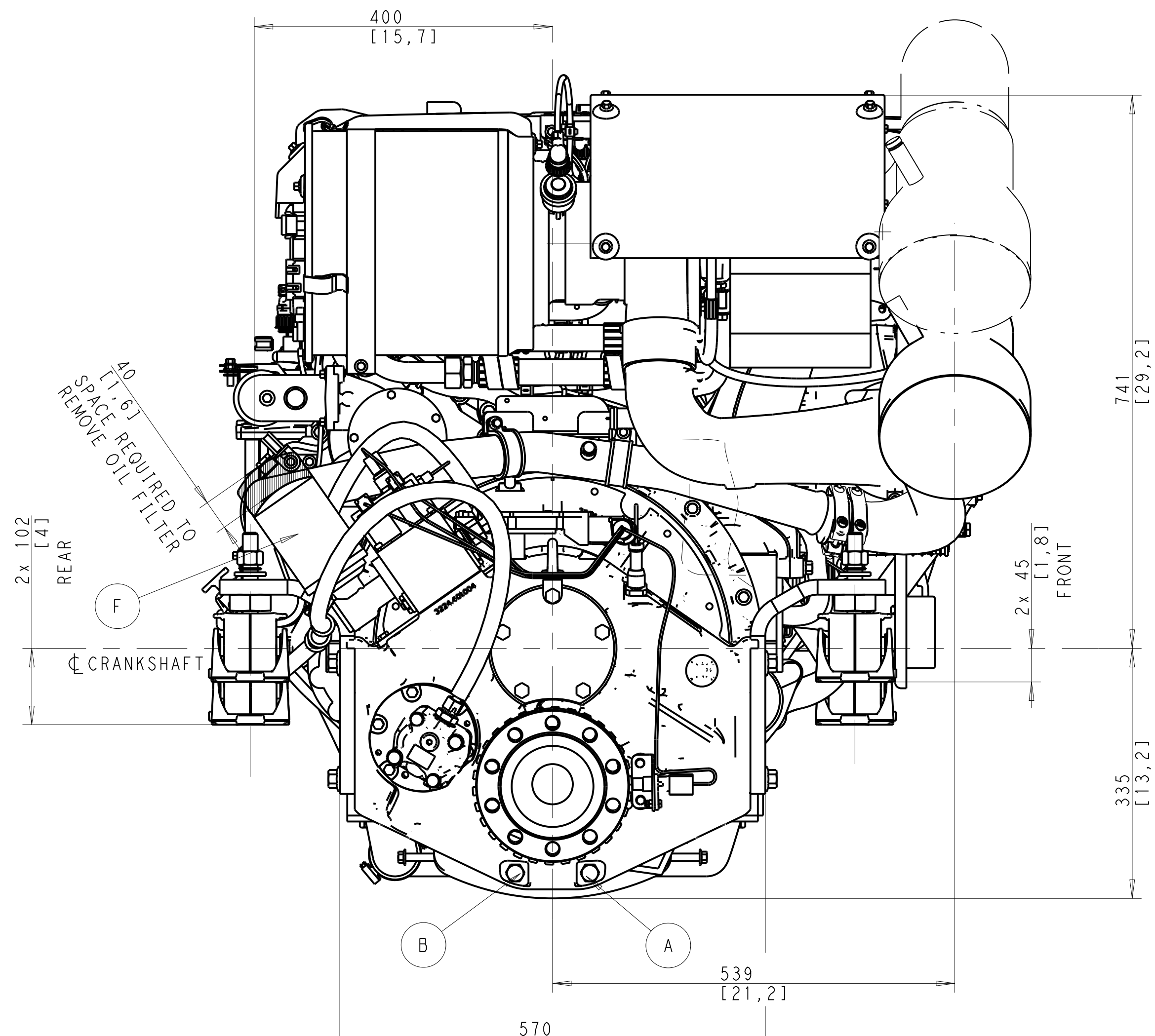
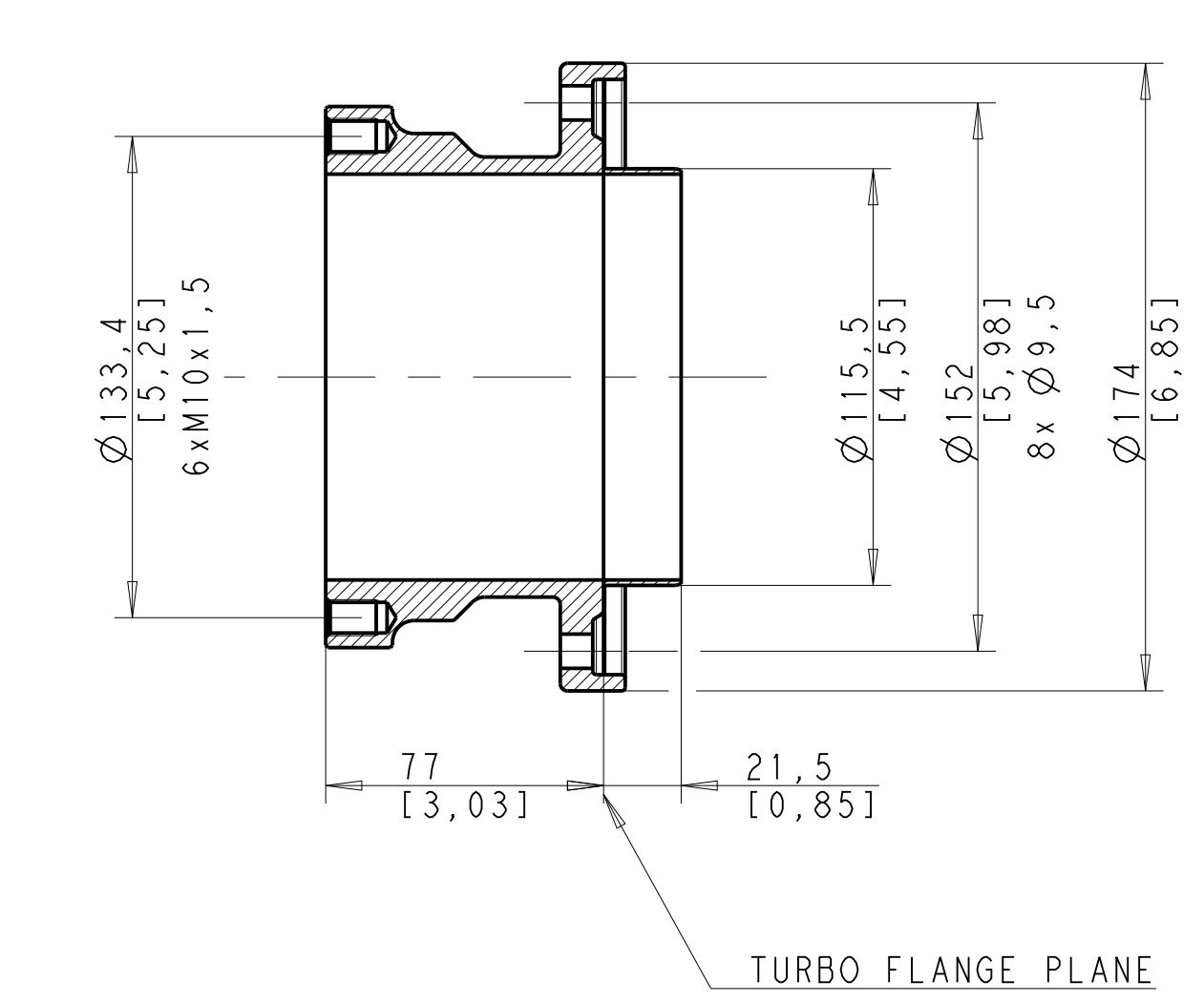
RISER OPTION 2



FLEXIBLE SUSPENSION
1:2



OPTION 3
EXHAUST FLANGE
A-A
1:2



ITEM NO.	DESCRIPTION	NOTES
A	OIL DRAINPLUG GAUGE CONNECTION M16x1.5	TORQUE 30Nm
B	OIL TEMPERATURE GAUGE CONNECTION M16x1.5	TORQUE 30Nm
C	SUCTION OIL FILTER PLUG	TORQUE 120Nm
D	OIL DIPSTICK	
E	OIL BREATHER	
F	OIL FILTER	
G	OIL FILLING PLUG	TORQUE 90Nm
H	FLEXIBLE SUSPENSION	
I	FUEL CONNECTION INLET 1/4"-18 NPTF	
J	FUEL CONNECTION OUTLET 1/4"-18 NPTF	
K	SEA WATER INLET, CONNECTION FOR 63 mm (2 1/2") I.D. HOSE	

FOR MORE DETAILS REFER BELOW BOBTAIL DRAWING D13C4-B MP BOBTAIL

SCALE 1:5

SYMBOLS, DESIGNATIONS AND GENERAL DRAWING METHODS STD 101-0005

Document title: ENGINE DIMENSIONS D13C4-B MP RG ZF400A

Document type: DIMENSION DRAWING

Clear domain Document profile

VOLVO PENTA

Document No: 23977101 Issue index: 01 Sheet No: 1(1)