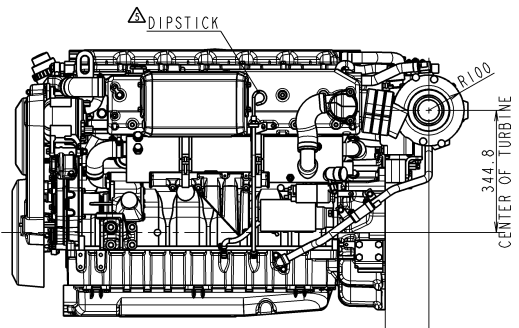
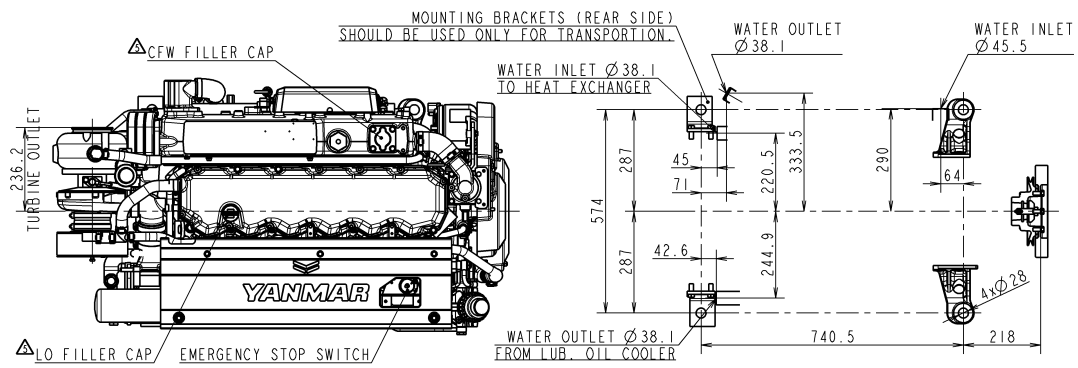


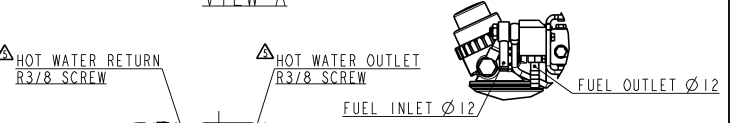
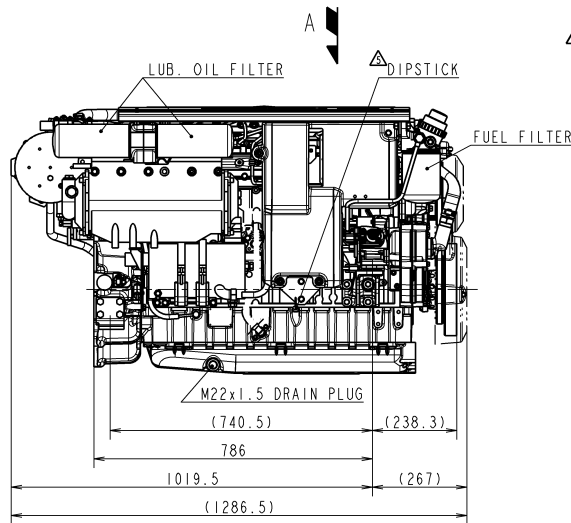
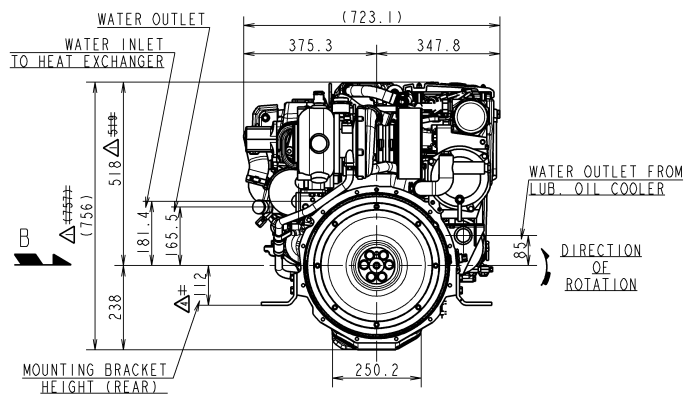
CAREER



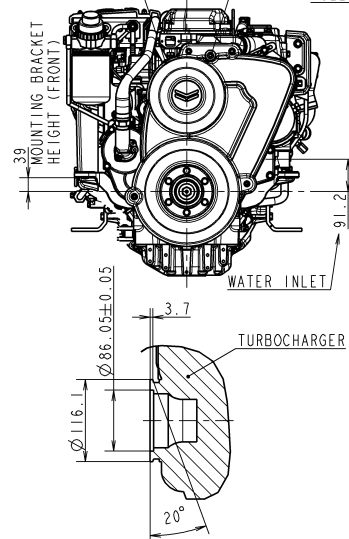
VIEW B



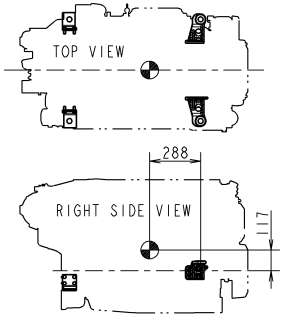
VIEW A



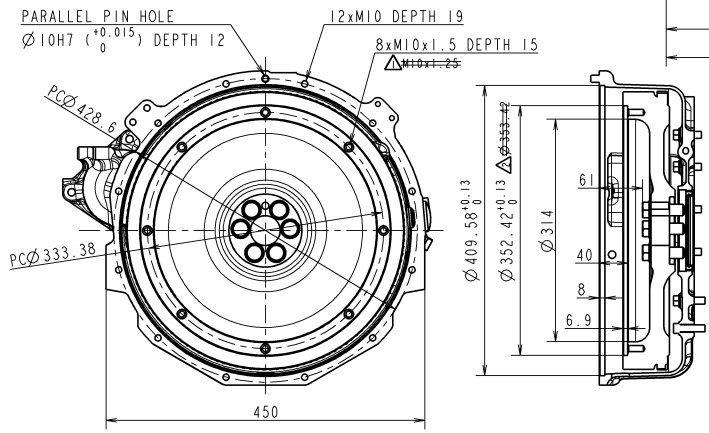
DETAIL OF FUEL INLET/OUTLET SCALE 1:5



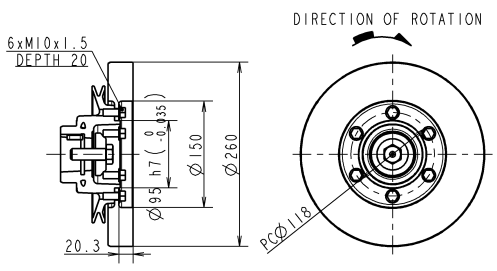
DETAIL OF TURBINE OUTLET SCALE 1:5



CENTER OF GRAVITY SCALE 1:20



DETAIL OF FLYWHEEL OUTPUT SIDE SCALE 1:5



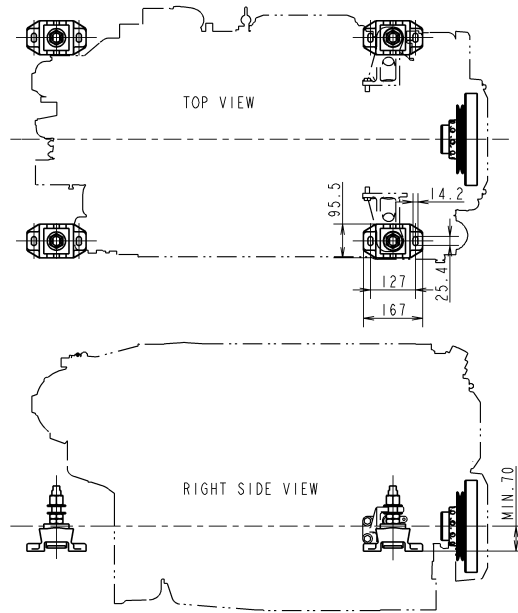
DETAIL OF FRONT COUPLING SCALE 1:5

MANAGER  
志崎

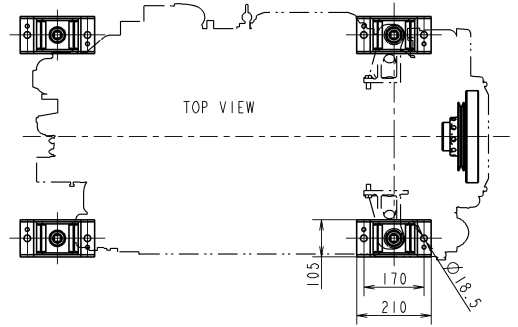
FOR MASS PRODUCTION

SEC. MANAGER 志崎	MODEL 6LY440	SCALE 1:10 (1:5)
CHECKED 志賀	SPECIALIST QTY -	MATERIAL
DESIGNED 廣松	DRAWN 大橋	DATE: Y.M.D 2015.06.15
NAME 6LY440/400 OUTLINE(1/3)		
YANMAR YANMAR POWER TECHNOLOGY CO., LTD.		REV. 1.REV. 2.REV. 3.REV. 4.REV. 5 CODE B2-19581-0010 DRAWN STYLE A2

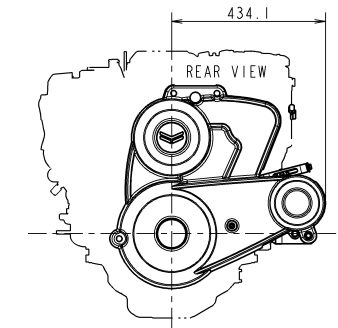
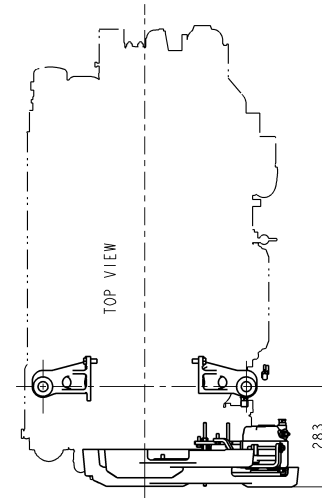
CAREER



BARRY CONTROL ISOLATION MOUNTS (OPTION)



YT-15 ISOLATION MOUNTS (OPTION)



2ND ALTERNATOR (OPTION)

MANAGER

志賀

量産用 FOR MASS PRODUCTION

SEC. MANAGER 志賀	MODEL 6LY440/400	SCALE 1:10 (1:5)
CHECKED 志賀	SPECIALIST	QTY -
DESIGNED 廣松	DRAWN 大橋	DATE: Y.M.D 2015.06.15
NAME 6LY440/400 OUTLINE(2/3)		MATERIAL カハイトイース
<b>YANMAR</b> YANMAR POWER TECHNOLOGY CO., LTD.		REV. 1 REV. 2 REV. 3 REV. 4 REV. 5 CODE B2-19581-0010

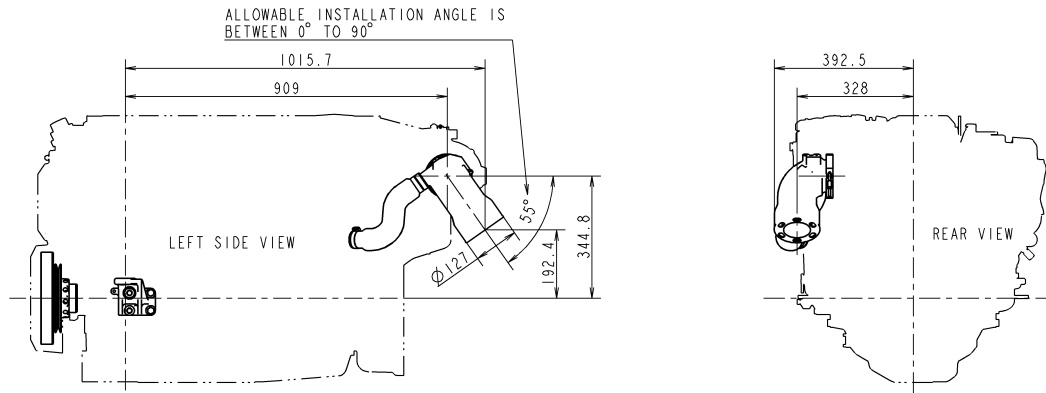
A2

3D-CAD

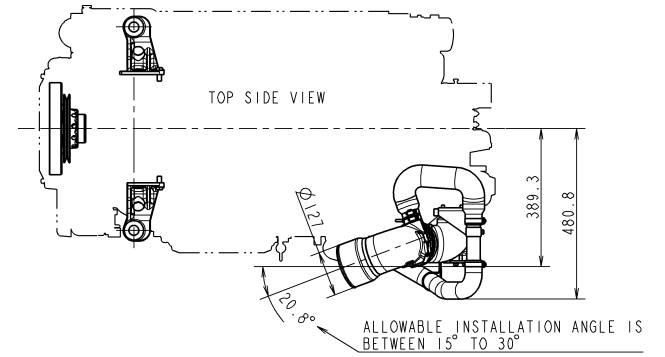
NOTICE

GEOMETRICAL TOLERANCE	<input type="checkbox"/>
KIND OF TOLERANCE	<input type="checkbox"/>
SYMMETRY	<input type="checkbox"/>
PERPENDICULARITY	<input type="checkbox"/>
PARALLELISM	<input type="checkbox"/>
CONCENTRICITY	<input type="checkbox"/>
POSITIONAL TOLERANCE	<input type="checkbox"/>
FORM TOLERANCE	<input type="checkbox"/>
STYMP TEST	<input type="checkbox"/>
CLACULATED TOLERANCE	<input type="checkbox"/>
OTHER	<input type="checkbox"/>

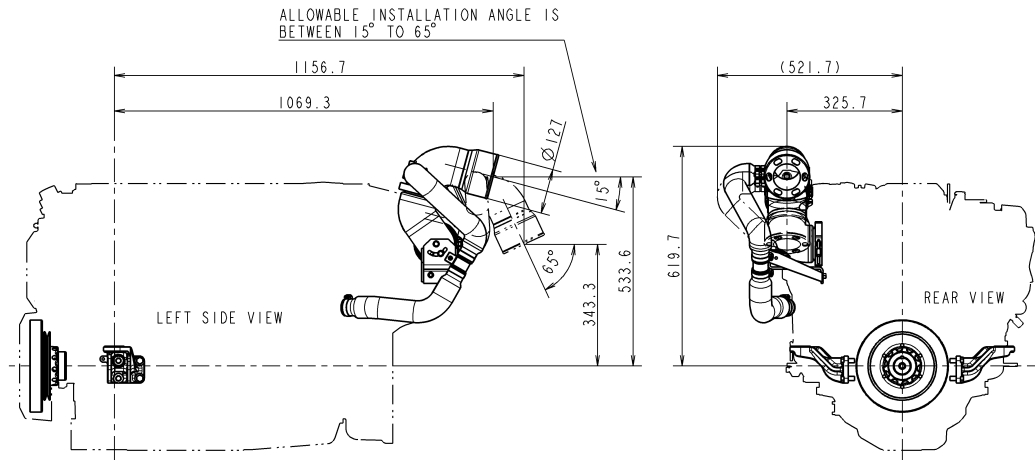
CAREER



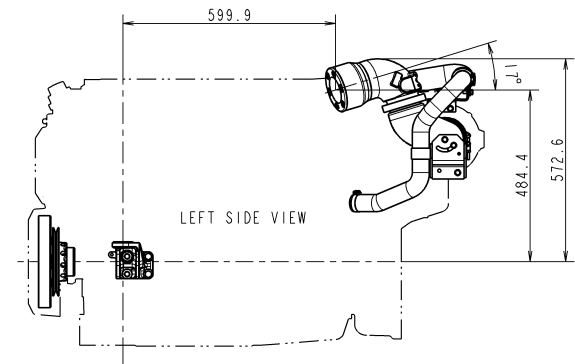
MIXING ELBOW (L-TYPE)  
V-BAND TYPE AT EXHAUST INLET



MIXING ELBOW (V-DRIVE TYPE)  
V-BAND TYPE AT EXHAUST INLET



MIXING ELBOW (RISER TYPE)  
V-BAND TYPE AT EXHAUST INLET



MANAGER  
志賀

SEC. MANAGER 志賀	MODEL	6LY 440	6LY 400	SCALE	1:10 (1:5)
CHECKED 志賀	SPECIALIST	QTY	-	MATERIAL	
DESIGNED 廣松	DRAWN 大橋	DATE: Y.M.D	2015.06.15	6LY440/400 カッコイテイス	
<b>YANMAR</b> YANMAR POWER TECHNOLOGY CO., LTD.				REV. 1. REV. 2. REV. 3. REV. 4. REV. 5.	CODE B2-19581-0010

DRAW SIZE  
A2

3D-CAD

NOTICE

GEOMETRICAL TOLERANCE	POSITIONAL TOLERANCE	FORM TOLERANCE
PARALLELISM	PERPENDICULARITY	CIRCULAR RUNOUT
ANGULARITY	TOTAL RUNOUT	