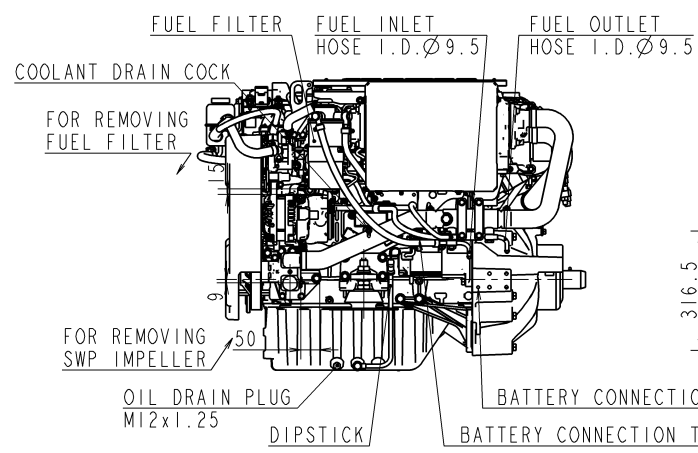
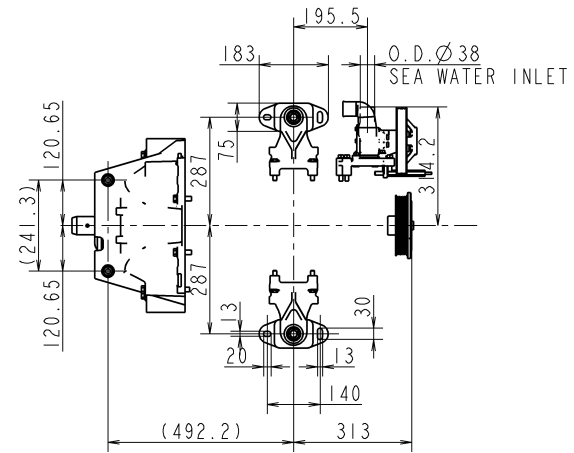
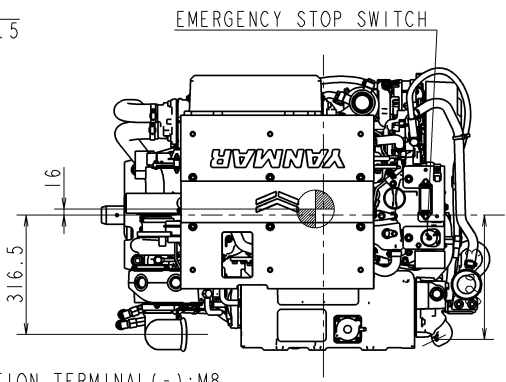


CAREER

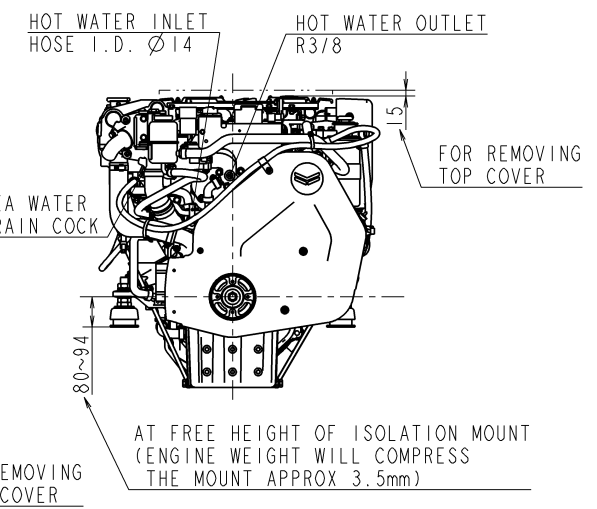
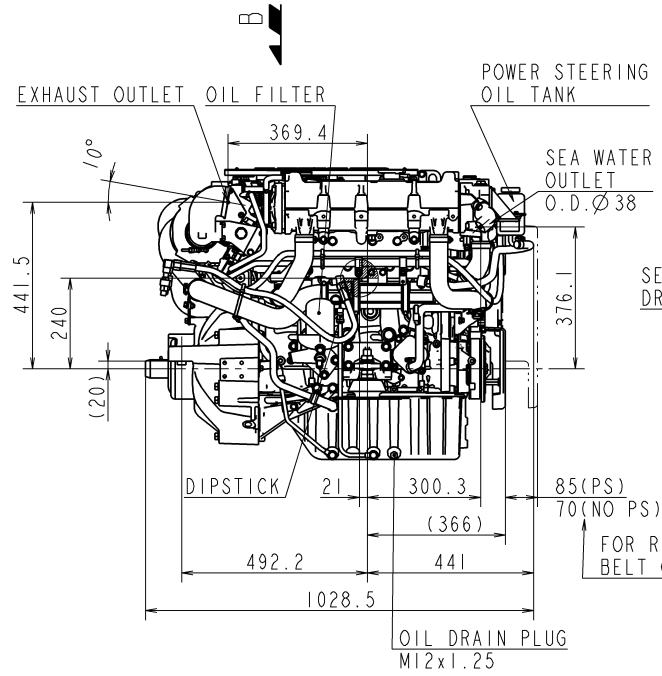
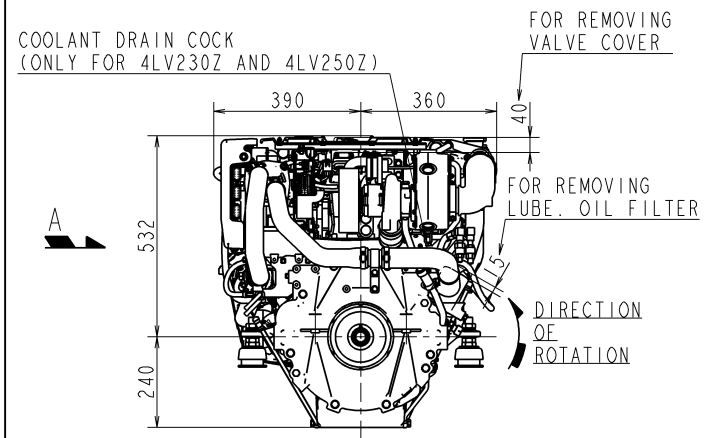
RELEASE OF DRAWING FOR MASS PRODUCTION (YDSBD-18013)



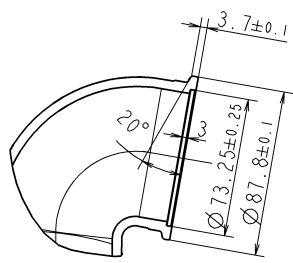
VIEW A



VIEW B



⊙ SHOWS THE CENTER OF GRAVITY.



DETAIL OF EXHAUST OUTLET (SCALE 1:2)

SPECIFICATIONS					
MODEL	4LV150Z(C)	4LV170Z(C)	4LV195Z(C)	4LV230Z(C)	4LV250Z
Continuous Power (ISO8665)kW/min ⁻¹	100 / 3392	114 / 3392	130 / 3392	154 / 3683	168 / 3683
Fuel Stop Power Crankshaft (ISO8665)kW/min ⁻¹	110 / 3500	125 / 3500	143 / 3500	169 / 3800	184 / 3800
Engine Mass	kg Approx. 334				
Direction Of Propeller Shaft Rotation	Counter-clockwise				

量産用 FOR MASS PRODUCTION

MANAGER 山口

SEC. MANAGER 石井	MODEL	4LV250Z	4LV230Z	4LV195Z	4LV170Z	4LV150Z	SCALE	1:10
CHECKED 石井	SPECIALIST	QTY	-	-	-	-	MATERIAL	-
DESIGNED 阿佐	DRAWN 堀	DATE: Y.M.D	2018.11.7				NAME 4LV-Z ENGINE OUTLINE	
							CODE	B2-20674-0010
YANMAR CO., LTD. DEVELOPMENT DIV.							DRAWN SIZE	A2